

Technical data sheet

Commutator motor FEM 3070 and COMBIFLUX pump FP 314



More than just pumps

Commutator motor FEM 3070



Special features:

- ▶ With mains connection
- ▶ Internal ventilated commutator motor
- ▶ Double insulated - protection class II
- ▶ Two step speed adjustment
- ▶ With overload cut-out switch
- ▶ 230 Volt version VDE-GS approved
- ▶ Ergonomic design handle - one-handed operation

Motor type	Storage of motor	Speed control	Allowed ambient temperature in operation	Allowed ambient temperature on storage	Max. viscosity [cPs]	Protection class	Weight	Protection class
Internally ventilated commutator motor	Ball-bearing	2-steps	-4 - 104°F (-20 - 40°C)	-4 - 140°F (-20 - 60°C)	250	IP24	3.31 lbs (1.5 kg)	II

Nominal voltage [V]	Power frequency [Hz]	Rated power [W]	Type of plug according to norm:	Cable length
240	50	230	Europe: CEE 7 /XVII	16 ft (5 m)
230	50-60	230	Europe: CEE 7 /XVII Switzerland: Typ 11	16 ft (5 m)
120	60	230	North America: NEMA 1-15P	16 ft (5 m)
110	50-60	230	Europe: CEE 7 /XVII	16 ft (5 m)
100	50-60	230	Japan: JISC 8308, 8358 7A	16 ft (5 m)

COMBIFLUX pump FP 314



Type	FP 314 PVDF-25/19	FP 314 PP-25/19	FP 314 PP-32/25	FP 314 S-28/25
Type of seal	Sealless			
Immersion length	20", 27", 39" (500/700/1000 mm)		20", 27", 39", 47" (500/700/1000/1200 mm)	
Outer Ø [mm]	25		32	28
Connection thread	G 1 A*			G ¾ A
Materials in contact with the medium	PVDF, ETFE, PTFE/carbon, Hastelloy C	PP, ETFE, PTFE/carbon, Hastelloy C		Stainless steel (316 Ti), ETFE, PTFE/carbon
Viscosity max. [cPs]	250			
Temperature of medium max.	140°F (60°C)	113°F (45°C)		140°F (60°C)
Weight at a length of 500/700/1000/1200 mm	0.7/0.7/0.9 lbs (0.3/0.3/0.4 kg)	0.7/0.7/0.9 lbs (0.3/0.3/0.4 kg)	0.7/0.7/0.9/1.3 lbs (0.3/0.3/0.4/0.6 kg)	2.2/2.4/3.3/4.2 lbs (1.0/1.1/1.5/1.9 kg)

*Hose connections 1/2" (DN13) and 3/4" (DN19) included

Performance data and dimensions

Commutator motor FEM 3070 and COMBIFLUX pump FP 314

Commutator motor FEM 3070 with COMBIFLUX pump FP 314

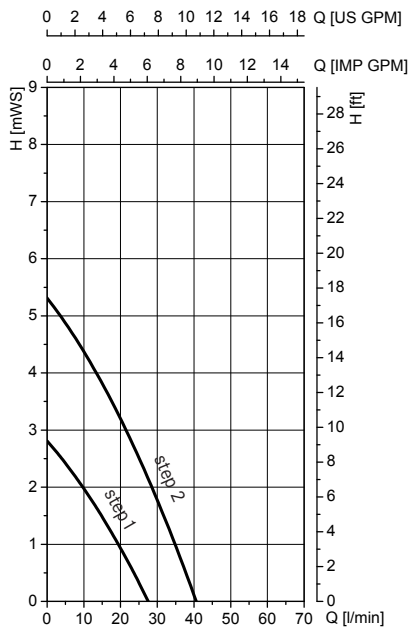
Performance data

Speed	Delivery rate Q max.* at:		Delivery head H max.** at:	
	step 1	step 2	step 1	step 2
FP 314 PP-25/19 FP 314 PVDF-25/19	7.1 GPM (27 LPM)	10.5 GPM (40 LPM)	9.2 ft (2.8 m)	17.4 ft (5.3 m)
FP 314 PP-32/25 FP 314 S-28/25	11.6 GPM (44 LPM)	14.8 GPM (56 LPM)	15.4 ft (4.7 m)	27.9 ft (8.5 m)

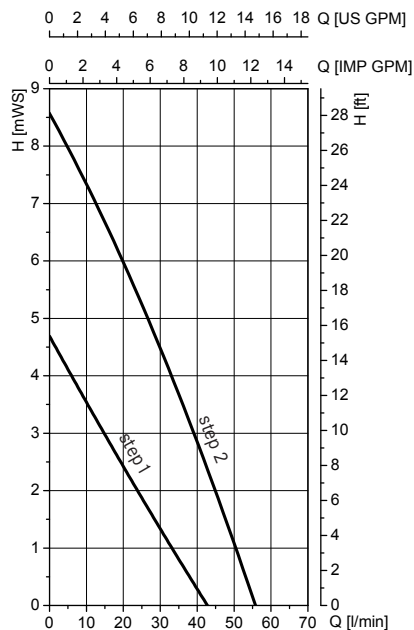
Performance charts*

Commutator motor FEM 3070 with COMBIFLUX pump:

FP 314 **PP-25/19**
FP 314 **PVDF-25/19**



FP 314 **PP-32/25**
FP 314 **S-28/25**

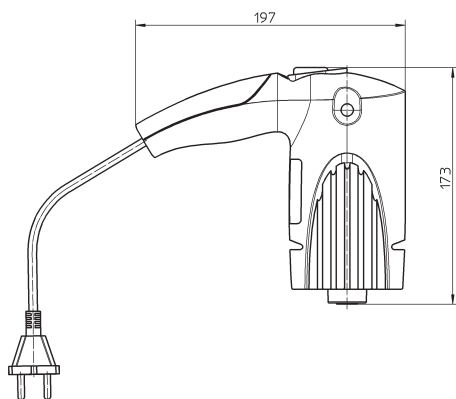


* Determined with water at 68°F (20°C), measured values ± 10 % maximum flow rate with open discharge outlet

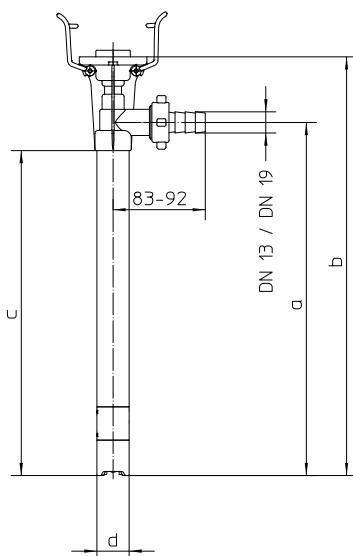
** Measured with water at 68°F (20°C)

Dimensions [mm]

Commutator motor FEM 3070



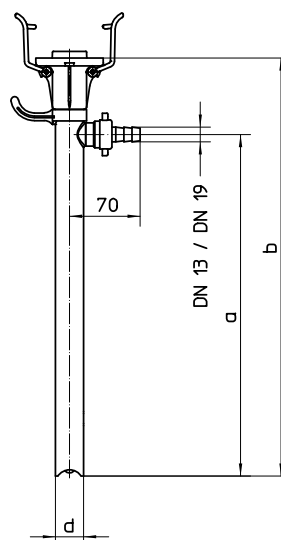
FP 314 PP+PVDF without motor



Immersion length	a	b	c	d	
47" (1200 mm)	1200	1538	1172	Ø 32	
39" (1000 mm)	1000	1338	972	Ø 32	
27" (700 mm)	700	1038	672	Ø 25	Ø 32
20" (500 mm)	500	838	472	Ø 32	

Dimensions in mm

FP 314 S without motor



Immersion length	a	b	d
47" (1200 mm)	1189	1538	Ø 28
39" (1000 mm)	989	1338	
27" (700 mm)	689	1038	
20" (500 mm)	489	838	

Dimensions in mm

Part numbers

Commutator motor FEM 3070 and COMBIFLUX FP 314

Motor FEM 3070

Description	Part no.
FEM 3070 (240 V, 50 Hz)	307 01 001
FEM 3070 (230 V, 50-60 Hz)	307 01 000
FEM 3070 (230 V, 50-60 Hz) (Swiss version)	307 01 005
FEM 3070 (120 V, 60 Hz)	307 01 002
FEM 3070 (110 V, 50-60 Hz)	307 01 003
FEM 3070 (100 V, 50-60 Hz)	307 01 004

COMBIFLUX pump FP 314

Pump type	FP 314 PP-25/19	FP 314 PP-32/25	FP 314 PVDF-25/19	FP 314 S-28/25
	Part no.			
Immersion length				
20" (500 mm)	314 45 905	314 46 905	314 65 905	314 26 905
27" (700 mm)	314 45 907	314 46 907	314 65 907	314 26 907
39" (1000 mm)	314 45 910	314 46 910	314 65 910	314 26 910
47" (1200 mm)	-	314 46 912	-	314 26 912

Other accessories:

We offer the appropriate accessories for the COMBIFLUX, such as: hand nozzles, hoses, compression glands or liquid meters. See our brochure for accessories and the price list for the precise specifications.

FLUX PUMPS CORPORATION

300 Townpark Drive, Suite 110
Kennesaw, GA 30144, USA
Phone 800-367-3589
info@fluxpumpsusa.com
www.fluxpumpsusa.com