



1 HP
2" NPT Discharge
83 GPM @ 15' TDH
37' Maximum TDH

Applications:

Residential sewage /
Commercial sewage /
Retail space /
High-temp effluent

Features:

All cast iron construction
Air-filled sealed motor
Auto-thermal overload reset
2" solid handling
Up to 170F continuous operation
Tungsten carbide tipped grinder impeller
Hardened cast iron suction plate
20-ft strain relief power cord
Built-in high-temp automatic float switch
300 series stainless steel hardware
Rotatable elbow for tight installations

PIB – SERIES *Pro*

Submersible Grinder Pump

Pump Construction:

Volute: Cast iron, class 30

Motor Housing: Cast iron, class 30

Seal Plate: Cast iron, class 30

Suction Plate: High chrome cast iron

Impeller: Cast iron, class 30 w/ tungsten carbide

Shaft: 403 series stainless steel

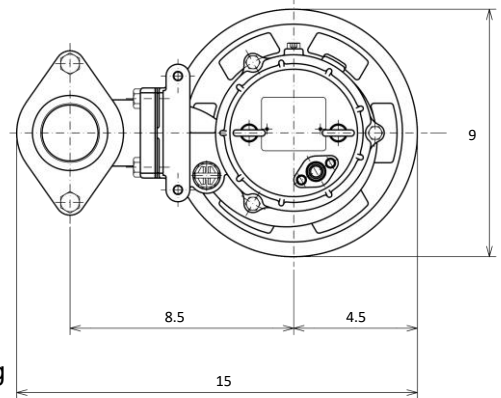
Mechanical Seal: Silicon carbide/H-20

Power cable : 20' UL & CUL 14 AWG, type SJTOW cord with plug

Max Fluid Temperature: 170F continuous

Bearing(s): Upper and lower single row double shielded ball bearings

Float Switch: Mechanical swing type high-temp submersible float switch



Specifications:

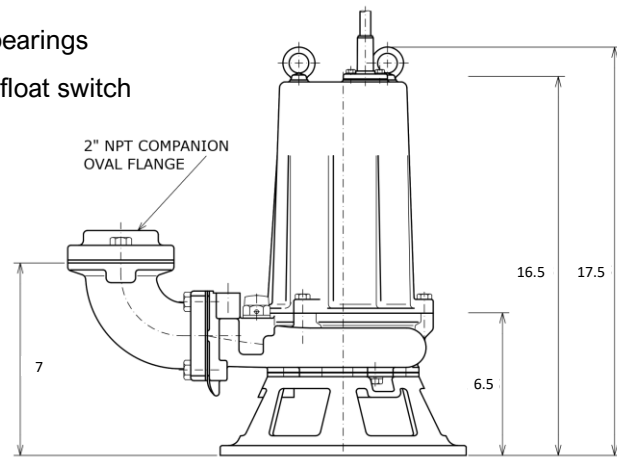
Motor data: 1HP, 3450RPM, 1Ph/115V, 60Hz, 16FLA

Net weight: 71lbs

Minimum installation opening: 10"Ø cutout

Minimum pit dimension (recommended): 18"Ø x 20"

Suspension plate design: B design



PIB Series other offerings



1/2HP Sewage Pump



3/4HP Vortex Pump

