

PIB – SERIES

Submersible Sewage Pump

1/2 HP
2" NPT Discharge
85 GPM @ 15' TDH
26' Maximum TDH

Applications:

Residential sewage /
Light commercial sewage /
High-capacity sump /
Water transfer / Effluent

Features:

All cast iron construction
Oil-filled sealed high torque motor
Auto-thermal overload reset
2" solid handling
140F continuous operation
2-vane cast iron open impeller
20-ft strain relief power cord
Built-in automatic float switch
300 series stainless steel hardware



PIB – SERIES

Submersible Sewage Pump

Pump Construction:

Volute: Cast iron, class 30

Motor Housing: Cast iron, class 30

Seal Plate: Cast iron, class 30

Impeller: Cast iron, class 30 (dynamically balanced)

Shaft: 420 series stainless steel

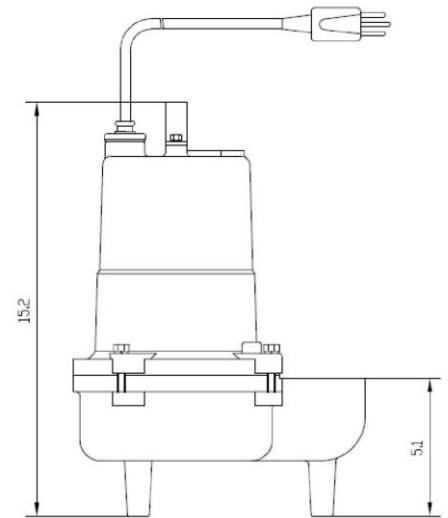
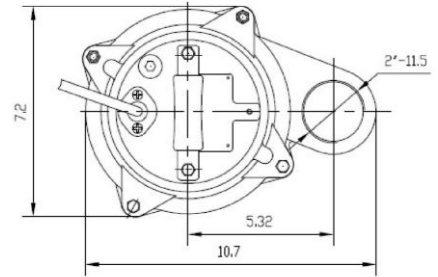
Mechanical Seal: Carbon/ceramic

Power cable : 20' UL & CUL 14 AWG, type SJTOW cord with plug

Max Fluid Temperature: 140F continuous

Bearing(s): Upper and lower single row oil lubricated ball bearings

Float Switch: Mechanical swing type submersible float switch



Specifications:

Motor data: ½HP, 1750RPM, 1Ph/115V, 60Hz, 12FLA

Net weight: 49lbs

Minimum installation opening: 10"Ø cutout

Minimum pit dimension (recommended): 18"Ø x 18"

Suspension plate design: B design

PIB Series other offerings



¾HP Vortex Pump



1HP Grinder

