

In combination with air motors FLUX drum and container pumps are very lightweight, easy to handle and extremely powerful at the same time.

FLUX air motors are explosion-proof according to ATEX-Directive 94/9/EC. PTB Registration No. 02 ATEX D022-1.

These motors are recommended for transferring highly flammable liquids and are particularly suitable for applications requiring a powerful and easy to adjust motor.

The speed can be adjusted via the filter-regulator-lubricator unit on models F 416 Ex and F 416-1 Ex or on a ball valve on model F 416-2 Ex.

Power at 86 psi operating pressure – 470 watt.

Power at 43 psi operating pressure – 170 watt.



**F 416 Ex**  
with trigger  
operated valve



**F 416-1 Ex**  
without valve



**F 416-2 Ex**  
with ball valve

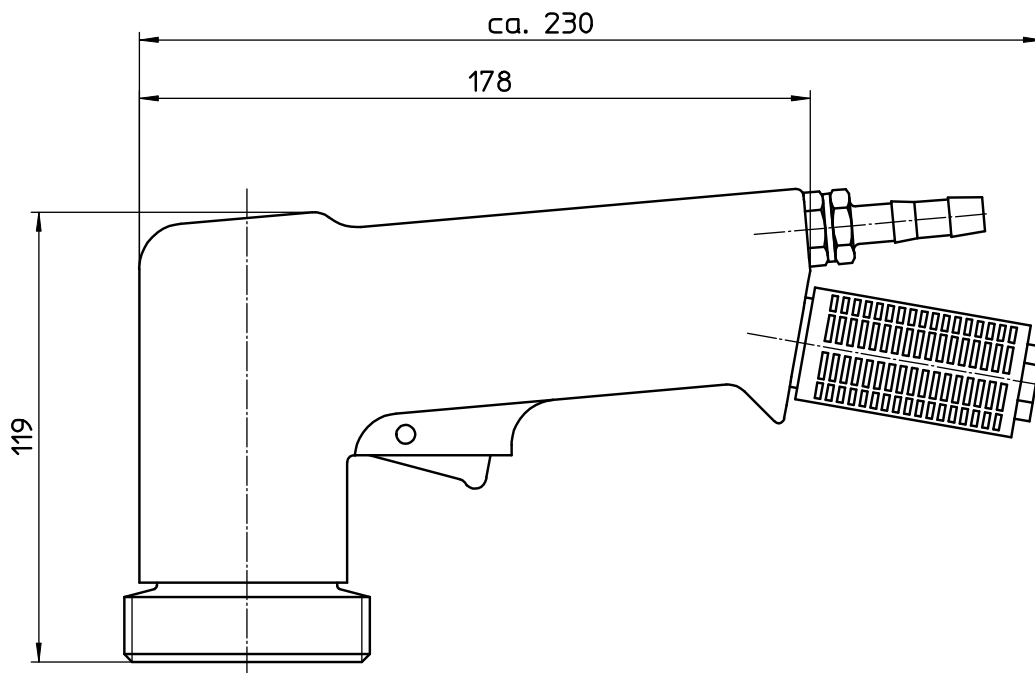
**Air motor**, explosion-proof to II 2 G c IIC T6, easily variable speed control by adjusting either the air supply pressure or volume, motor overload-proof, air connection G ¼ (BSP ¼" female).

type	capacity	operating pressure max.	air consumption	version	weight	part no.
F 416 Ex	470 W	86 psi	17 cfm	with trigger operated valve	3,10 lbs	416 00 122
F 416-1 Ex	470 W	86 psi	17 cfm	without valve	2,00 lbs	416 00 125
F 416-2 Ex	470 W	86 psi	17 cfm	with ball valve	2,20 lbs	416 00 030
<b>accessories:</b>						<b>part no.</b>
<b>filter-regulator lubricator unit</b>	consisting of water separator, pressure gauge and lubricator. Thread on inlet and outlet G ¼ (BSP ¼" female)					001 10 100
<b>compressed air hose</b>	DN 10, electrically conductive (blue)					001 10 098
<b>hose coupling</b>	brass, spring-actuated, with hose nozzle DN 10 for compressed air hose					959 13 066
<b>nipple</b>	brass, DN 10 – G ¼ A (BSP ¼" male) for hose coupling					959 13 065
<b>hose nozzle</b>	brass, DN 10 – G ¼ A (BSP ¼" male) for compressed air hose					959 05 022
<b>earth (ground) wire with crocodile clip</b>	20 ft long 9,8 ft long, reinforced version					931 90 023 931 90 015



Maßblatt  
Dimensional drawing  
Plan d'encombrement

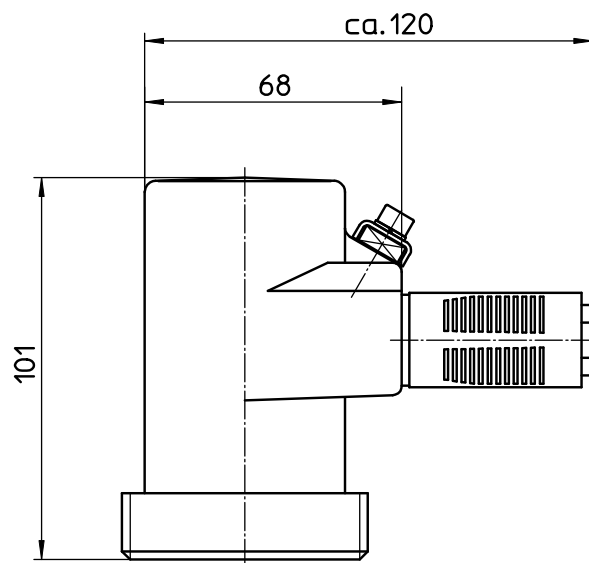
F 416 Ex





Maßblatt  
Dimensional drawing  
Plan d'encombrement

F 416-1 Ex





Maßblatt  
Dimensional drawing  
Plan d'encombrement

F 416-2 Ex

