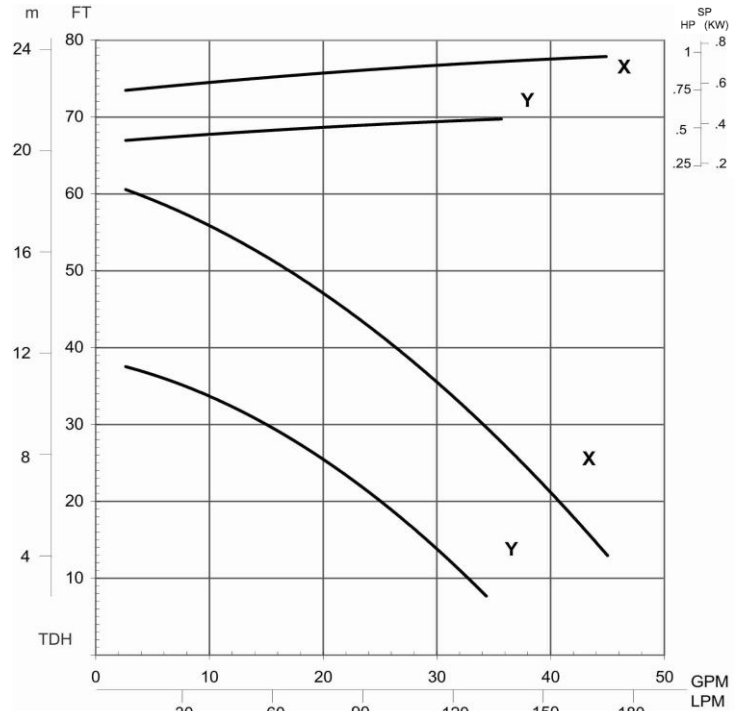
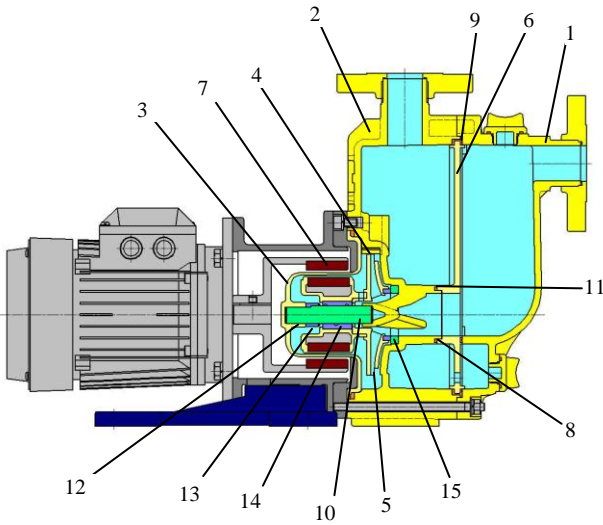


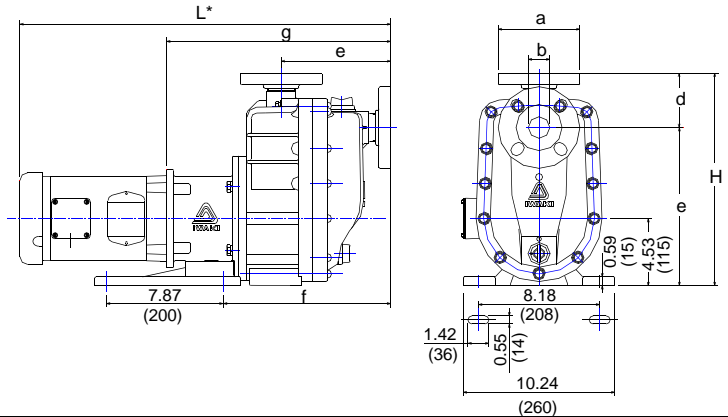


SMX-(F)22

- Superior Priming Capability – 13ft in 90 seconds!
- Robust non-contact bearing design rated for dry-run operation
- Compact design with integral priming chamber
- Self-radiating structure for frictional heat management
- Easy Maintenance – removable wet end assembly
- Uses standard NEMA C-face motor
- Glass fiber reinforced polypropylene construction



| No. | Name | Material | | |
|-----|--------------------------|---------------------------|-----------------------|-------|
| | | CA/CF | RA/RF | KA/KK |
| 1 | Front Case | GFRPP/CFRETFE | | |
| 2 | Rear Case | | | |
| 3 | Rear casing | | | |
| 4 | Volute spacer | | | |
| 5 | Impeller | | | |
| 6 | Plate | | | |
| 7 | Magnet capsule | PP/CFRETFE | | |
| 8 | Oring | FKM/EPDM | | |
| 9 | Gasket | | | |
| 10 | Spindle | Alumina Ceramic 99.5% | | SiC |
| 11 | Liner ring | Alumina Ceramic/.SiC (KK) | | |
| 12 | Rear thrust (RA/RF only) | CFRPPS | | |
| 13 | Rear thrust ring | ---- | Alumina Ceramic 99.5% | ---- |
| 14 | Bearing | Carbon | PTFE w/ filler | SiC |
| 15 | Mouth ring | PTFE (with filler) | | |



Dimensions & Specifications inches (mm)

| Model | a | b | c | d | e | f | g | H | L* | HP/Frame |
|------------|------------|----------|------------|-----------|-------------|------------|-------------|-------------|-------------|-----------|
| SMX-(F)220 | 4.92 (125) | .98 (25) | 6.38 (162) | 2.91 (74) | 10.04 (255) | 9.45 (240) | 12.13 (308) | 12.95 (329) | 21.22 (539) | 0.5/56C |
| SMX-(F)221 | 4.92 (125) | .98 (25) | 6.38 (162) | 2.91 (74) | 10.04 (255) | 9.45 (240) | 12.60 (320) | 12.95 (329) | 21.77 (553) | 1.0/56C |
| SMX-(F)222 | 4.92 (125) | .98 (25) | 6.38 (162) | 2.91 (74) | 10.04 (255) | 9.45 (240) | 13.07 (332) | 12.95 (329) | 23.89 (607) | 2.0/145TC |

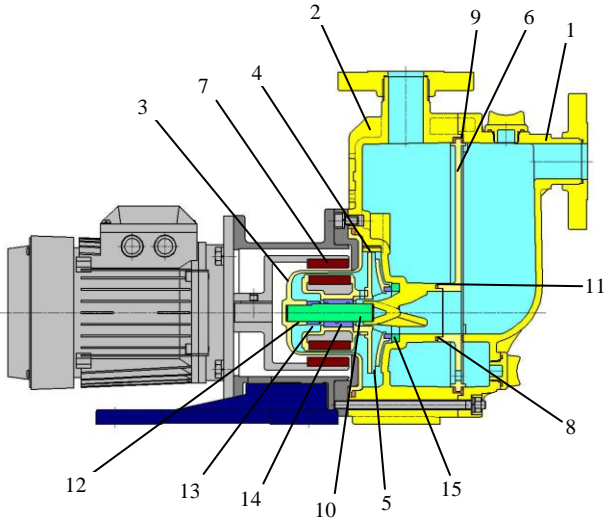
* Varies according to motor manufacturer.

| Model | Suct x Disch | Impeller Code | Max Capacity (GPM) | MaxHead (ft) | Motor (RPM) | Motor(HP) |
|------------|--------------|---------------|--------------------|--------------|-------------|-----------|
| SMX-(F)220 | 1 x 1 | Y | 25 | 35 | 3500 | 1/2 |
| SMX-(F)221 | 1 x 1 | X | 45 | 60 | | 1 |
| SMX-(F)221 | 1 x 1 | Y | 34 | 35 | | 1 |
| SMX-(F)222 | 1 x 1 | X | 45 | 60 | | 2 |

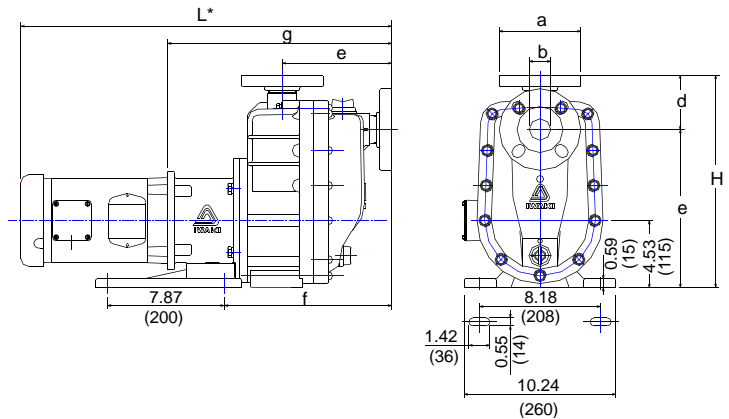
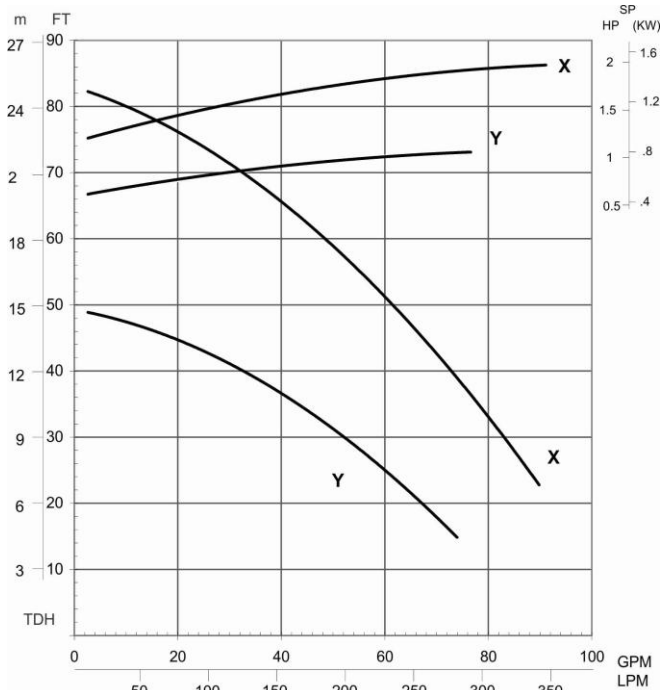


SMX-(F)44

- Superior Priming Capability – 13ft in 90 seconds!
- Robust non-contact bearing design rated for dry-run operation
- Compact design with integral priming chamber
- Self-radiating structure for frictional heat management
- Easy Maintenance – removable wet end assembly
- Uses standard NEMA C-face motor
- Glass fiber reinforced polypropylene construction



| No. | Name | Material | | |
|-----|--------------------------|--------------------------|-----------------------|-------|
| | | CA/CF | RA/RF | KA/KK |
| 1 | Front Case | GFRPP/CFRETFE | | |
| 2 | Rear Case | | | |
| 3 | Rear casing | | | |
| 4 | Volute spacer | | | |
| 5 | Impeller | | | |
| 6 | Plate | | | |
| 7 | Magnet capsule | PP/CFRETFE | | |
| 8 | Oring | FKM/EPDM | | |
| 9 | Gasket | | | |
| 10 | Spindle | Alumina Ceramic 99.5% | | SiC |
| 11 | Liner ring | Alumina Ceramic/SiC (KK) | | |
| 12 | Rear thrust (RA/RF only) | CFRPPS | | |
| 13 | Rear thrust ring | ---- | Alumina Ceramic 99.5% | ---- |
| 14 | Bearing | Carbon | PTFE w/ filler | SiC |
| 15 | Mouth ring | PTFE (with filler) | | |



Dimensions & Specifications inches (mm)

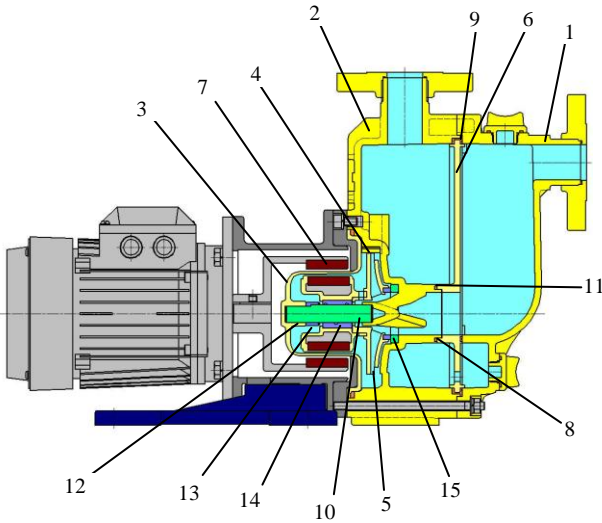
| Model | a | b | c | d | e | f | g | H | L* | HP/Frame |
|------------|------------|-----------|------------|-----------|-------------|-------------|-------------|-------------|-------------|-----------|
| SMX-(F)441 | 5.51 (140) | 1.57 (40) | 7.40 (188) | 3.66 (93) | 10.67 (271) | 11.22 (285) | 14.41 (366) | 14.33 (364) | 23.58 (599) | 1.0/56C |
| SMX-(F)442 | 5.51 (140) | 1.57 (40) | 7.40 (188) | 3.66 (93) | 10.67 (271) | 11.22 (285) | 14.88 (378) | 14.33 (364) | 25.69 (652) | 2.0/145TC |
| SMX-(F)443 | 5.51 (140) | 1.57 (40) | 7.40 (188) | 3.66 (93) | 10.67 (271) | 11.22 (285) | 14.88 (378) | 14.33 (364) | 25.69 (652) | 3.0/145TC |

* Varies according to motor manufacturer.

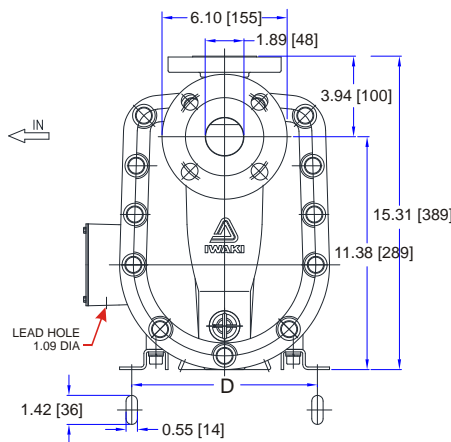
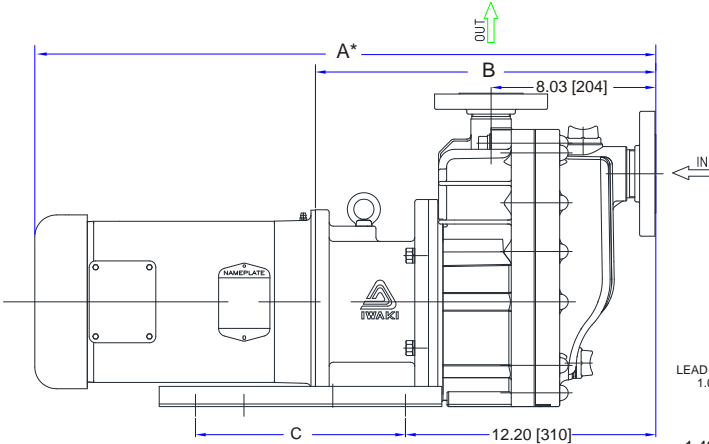
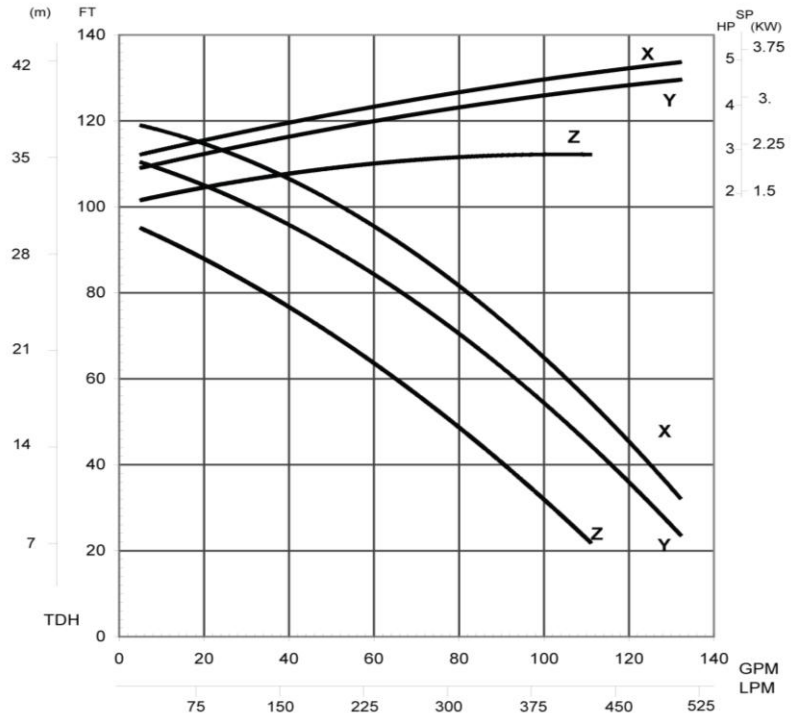
| Model | Suct x Disch | Impeller Code | Max Capacity (GPM) | MaxHead (ft) | Motor (RPM) | Motor(HP) |
|------------|--------------|---------------|--------------------|--------------|-------------|-----------|
| SMX-(F)441 | 1½ x 1½ | Y | 74 | 49 | 3500 | 1 |
| SMX-(F)442 | 1½ x 1½ | X | 90 | 84 | | 2 |
| SMX-(F)443 | 1½ x 1½ | X | 90 | 84 | | 3 |

SMX-(F)54

- Superior Priming Capability – 13ft in 90 seconds!
- Robust non-contact bearing design rated for dry-run operation
- Compact design with integral priming chamber
- Self-radiating structure for frictional heat management
- Easy Maintenance – removable wet end assembly
- Uses standard NEMA C-face motor
- Glass fiber reinforced polypropylene construction or ETFE



| No. | Name | Material | | |
|-----|-------------------------------|------------------------------|-----------------------|-------|
| | | CA/CF | RA/RF | KA/KK |
| 1 | Front Case | GFRPP/CFRETFE | | |
| 2 | Rear Case | | | |
| 3 | Rear casing | | | |
| 4 | Volute spacer | | | |
| 5 | Impeller | | | |
| 6 | Plate | | | |
| 7 | Magnet capsule | | GFRPP/CFRETFE | |
| 8 | Oring | FKM/EPDM | | |
| 9 | Gasket | | | |
| 10 | Spindle | Alumina Ceramic 99.5% | SiC | |
| 11 | Liner ring | Alumina Ceramic 99%/SiC (KK) | | |
| 12 | Rear thrust | CFRPPS | | |
| 13 | Rear thrust ring (RA/RF ONLY) | ---- | Alumina Ceramic 99.5% | ---- |
| 14 | Bearing | High Density Carbon | PTFE w/ filler | SiC |
| 15 | Mouth ring | PTFE (with filler) | | |



Dimensions

| | F543 | F545 |
|---|-------------|-------------|
| A | 26.71 (678) | 30.28 (769) |
| B | 15.52 (394) | 16.59 (421) |
| C | 7.68 (200) | 10.24 (260) |
| D | 8.17 (208) | 9.06 (230) |

* Varies with motor manufacturer

Specifications

| Model | Suct x Disch | Impeller Code | Max Capacity (GPM) | MaxHead (ft) | Motor (RPM) | Motor(HP) |
|------------|--------------|---------------|--------------------|--------------|-------------|-----------|
| SMX-(F)543 | 2 x 1½ | Z | 110 | 96 | 3500 | 3 |
| SMX-(F)545 | 2 x 1½ | Y | 132 | 112 | | 5 |
| SMX-(F)545 | 2 x 1½ | X | 132 | 119 | | 5 |