



MAGNUS
PUMP

GREATNESS WITHIN REACH

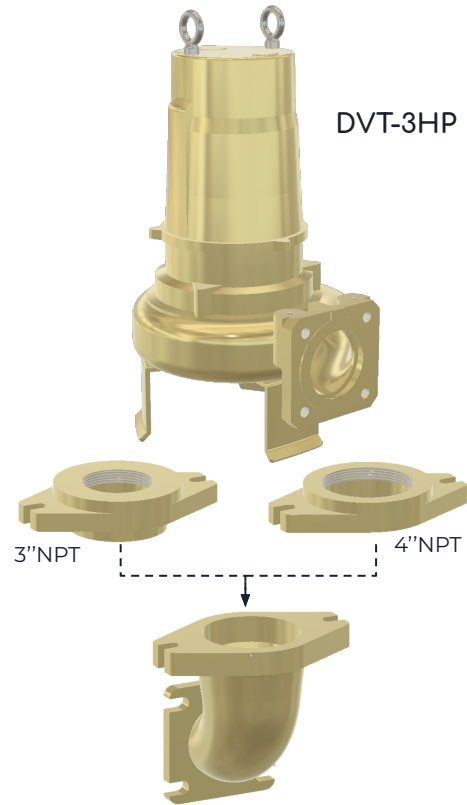
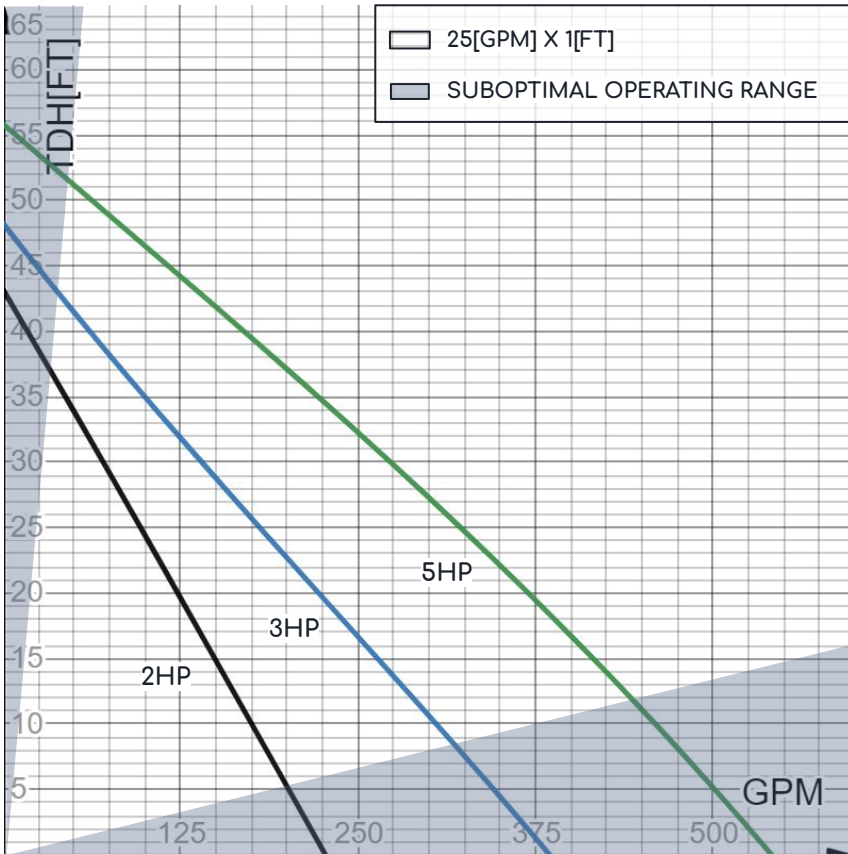
DVT CATALOG
VOL 1.0 / FALL 2023

Sales@Magnuspump.com



DVT SERIES - THE DEVOURER™

The DVT series offers a line of reliable solid-handling high-temperature submersible chopper sewage pumps. These pumps are uniquely equipped with sharpened carbide edged impellers with serrated chromium suction plates to shred incoming solids before pumping them out of a receiver. Along with a proprietary design on its short sweep discharge elbow, the Devourer™ offers industry leading performance while fitting in tight installation requirements. Available from 2, 3 and 5HP, 3ph Tri-voltage design, the Devourer pump will suit a majority of residential and commercial needs.



Each DVT pump is shipped with **both** 3" & 4" threaded discharge for field installation

DEVOURER - SUBMERSIBLE CHOPPER SEWAGE PUMP

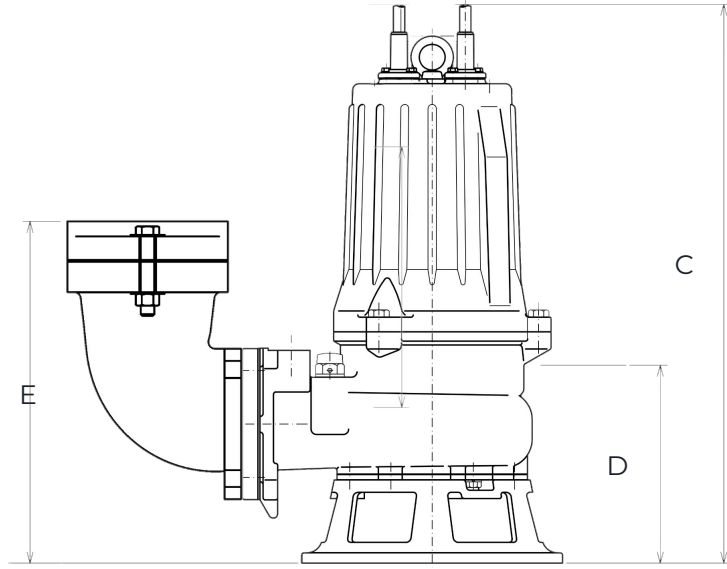
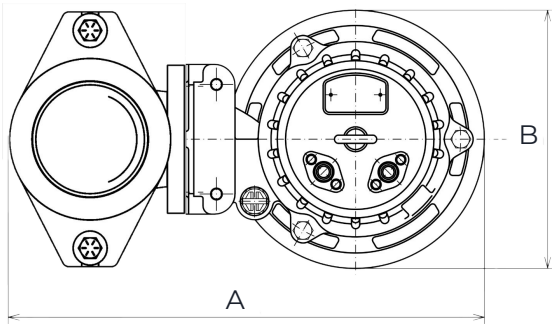
Specifications

Models	DVT-2HP	DVT-3HP	DVT-5HP
HP	2	3	5
RPM	3450	1750	1750
Discharge	3" & 4" NPT (BOTH INCLUDED)		
Construction	Cast Iron construction, Cast Iron fitted		
Solid Handling	2.5"		
Rated Current [Amp] (3ph/208-230/460)	6.2-5.9/3.1	9.4-8.5/4.3	15-13.8-6.9
Max Operating Temperature	170°F (200°F intermittently)		
Moisture Sensor	Sensor Output (N/O)		
Thermal Overload	Sensor Output (N/C)		

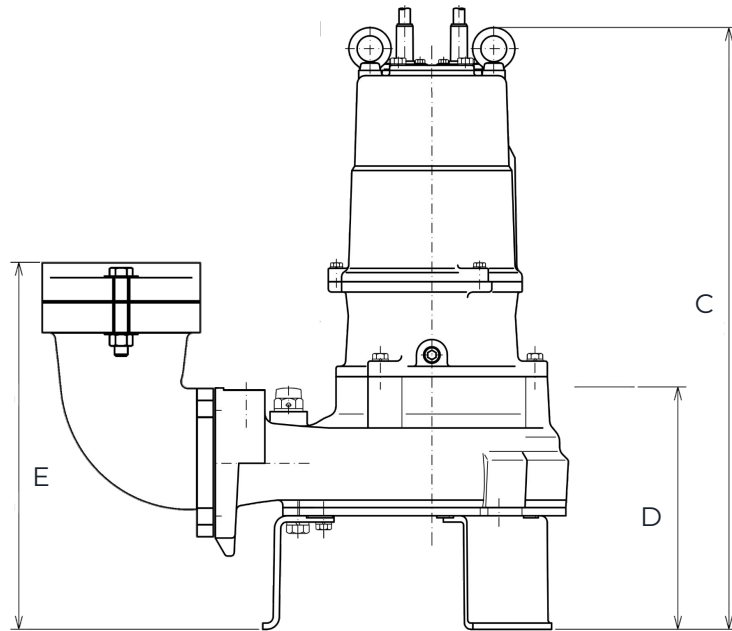
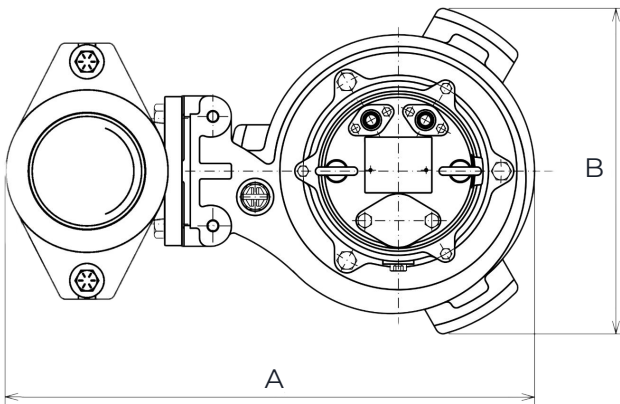


DVT SERIES - THE DEVOURER™

MODEL(S):
 ● DVT-2HP



MODEL(S):
 ● DVT-3HP
 ● DVT-5HP



DEVOURER - SUBMERSIBLE CHOPPER SEWAGE PUMP

Dimensions [IN]

Model(s)	A	B	C	D*	E
DVT-2HP	19	9¾	21	8	11
DVT-3HP	20½	13	24	9	12
DVT-5HP	20½	13	27½	9	12

*Minimum level of liquid needed to keep the pump primed

An abstract graphic composed of dark blue, three-dimensional geometric shapes that resemble a staircase or a series of overlapping planes. Two of these shapes are highlighted in a bright gold color, one in the upper right and one in the lower center. The overall composition is dynamic and modern.

GREATNESS WITHIN REACH
SINCE 1998