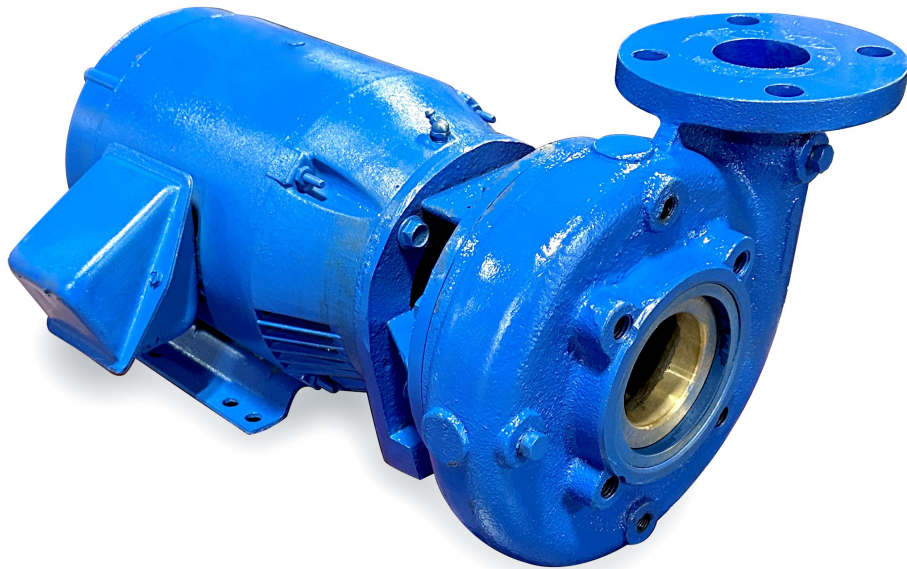




Power-Flo Technologies

Power-Flo Pumps and Systems

PF2025CC7



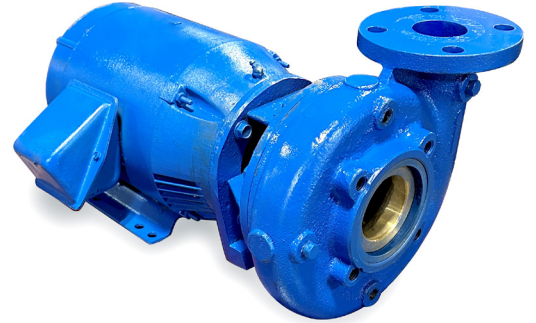
**CAST IRON STAINLESS
FITTED CLOSE COUPLED
END SUCTION PUMPS**



Features:

Cast Iron Stainless Fitted Close Coupled Pump for general pump service, pressure boosting, cooling towers, liquid transfer in municipal, commercial, industrial and retrofit applications

- **DISCHARGE:** 2" 125 lb. ANSI Flange, Discharge can be placed in 4 different locations depending on piping requirements
- **SUCTION:** 2-1/2" 125 lb. ANSI Flange
- **LIQUID TEMPERATURE:** 225°F Continuous
- **CASING:** Cast Iron, ASTM A48, Back Pull-Out design, with removing Suction & Discharge Piping
- **CASING WEAR RING:** Bronze C95200
- **CASE WORKING PRESSURE:** 175 PSI
- **MOTOR BRACKET:** Cast iron ASTM A48
- **SHAFT:** Stainless Steel AISI420
- **SHAFT SLEEVE:** Bronze C95200
- **PAINT:** Air dry enamel
- **HARDWARE:** Steel
- **SEAL:** Mechanical, Carbon/Ni-Resist/Buna-N
- **IMPELLER:** Stainless Steel Enclosed Type, Dynamically Balanced, ISO G6.3, Maximum spheres .375", Bronze C95200
- **Standard impeller sizes:** 6.75", 5.75", 5.00" Custom trims available
- **Standard with JM Frame:** TEFC NEMA Premium motors for inverter duty
- **WEIGHT:** 153 lbs. (Pump Only)
- **WARRANTY:** 1 year



PF2025CC7 End Suction 2-1/2" Suction x 2" Discharge Closed Coupled

WARNING: CANCER AND REPRODUCTIVE HARM
WWW.P65WARNINGS.CA.GOV

WARNING: DO NOT use in explosive atmosphere
or for pumping volatile flammable liquids

Not sure about which pump to choose or where to start? Simply scan our QR code to unlock our comprehensive manual, designed to guide you through the process of finding the perfect pump for your specific needs. Contact Power-Flo Pumps today.



MODEL	Description	Volts	Phase	FLA
PF2025CC7-752	2X2-1/2X7A Close Coupled Cast Iron with Stainless Impeller, Small Bore 7.5HP 3600RPM 184JM 5" impeller w/ TEFC Prem Eff motor	208/230/460	3	19.4/17.5/8.7
PF2025CC7-1002	2X2-1/2X7A Close Coupled Cast Iron with Stainless Impeller, Small Bore 10HP 3600RPM 215JM 5.75" impeller w/TEFC Prem Eff motor	208/230/460	3	25.7/23.2/11.6
PF2025CC7-1502	2X2-1/2X7A Close Coupled Cast Iron with Stainless Impeller, Small Bore 15HP 3600RPM 215JM 6.75" impeller w/TEFC Prem Eff motor	208/230/460	3	37.6/34.0/17.0
PF2025CC7-104	2X2-1/2X7A Close Coupled Cast Iron with Stainless Impeller, Small Bore 1HP 1800RPM 143JM 5.00" impeller w/TEFC Prem Eff motor	208/230/460	3	3.7/2.8/1.40
PF2025CC7-154	2X2-1/2X7A Close Coupled Cast Iron with Stainless Impeller, Small Bore 1.5HP 1800RPM 145JM 5.75" impeller w/ TEFC Prem Eff motor	208/230/460	3	4.3/4.0/2.00
PF2025CC7-304	2X2-1/2X7A Close Coupled Cast Iron with Stainless Impeller, Small Bore 3HP 1800RPM 215JM 6.75" impeller w/TEFC Prem Eff motor	208/230/460	3	8.5/7.7/3.8
PF2025CC7-154-1	2X2-1/2X7A Close Coupled Cast Iron with Stainless Impeller, Small Bore 1.5HP 1800RPM 145JM 5.75" impeller w/ TEFC Prem Eff motor	208/230	1	7.0/6.76
PF2025CC7-304-1	2X2-1/2X7A Close Coupled Cast Iron with Stainless Impeller, Small Bore 3HP 1800RPM 215JM 6.75" impeller w/TEFC Prem Eff motor	115/208/230	1	30.2/15.7/15.1

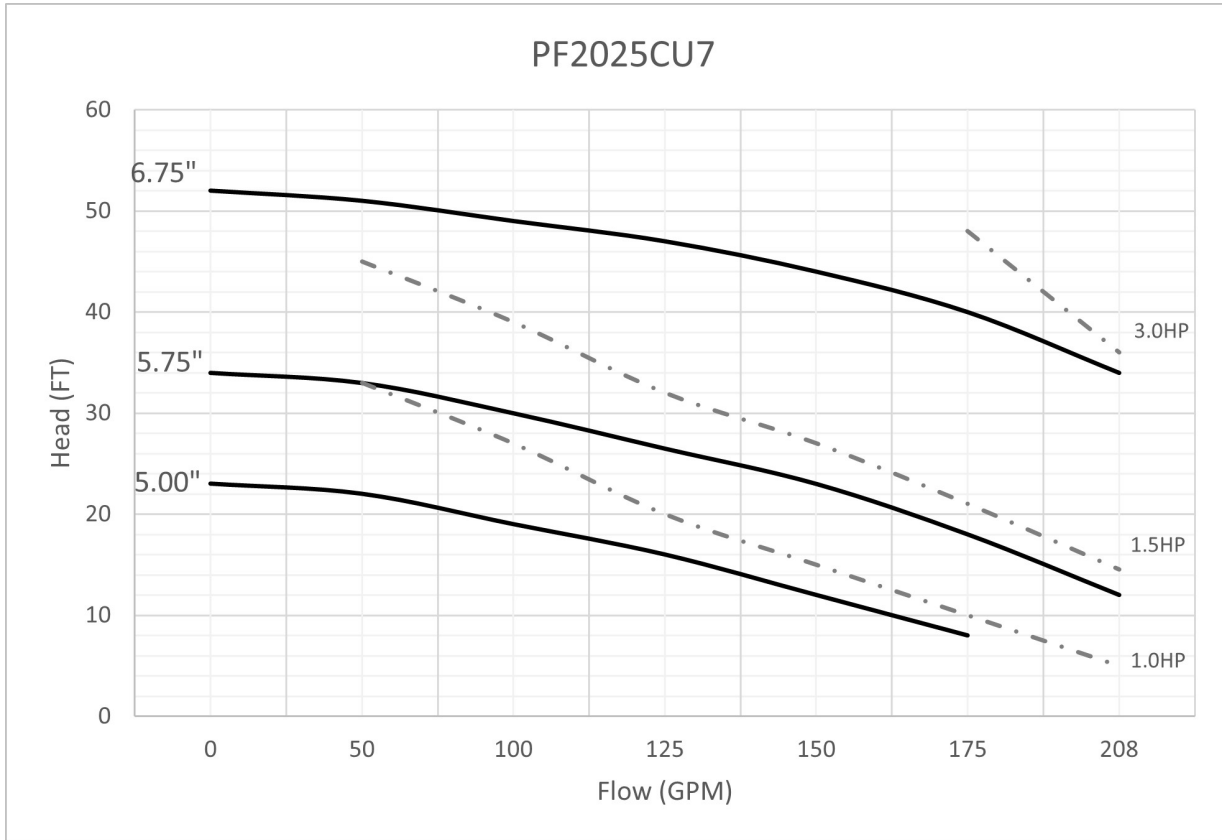


PF2025CC7

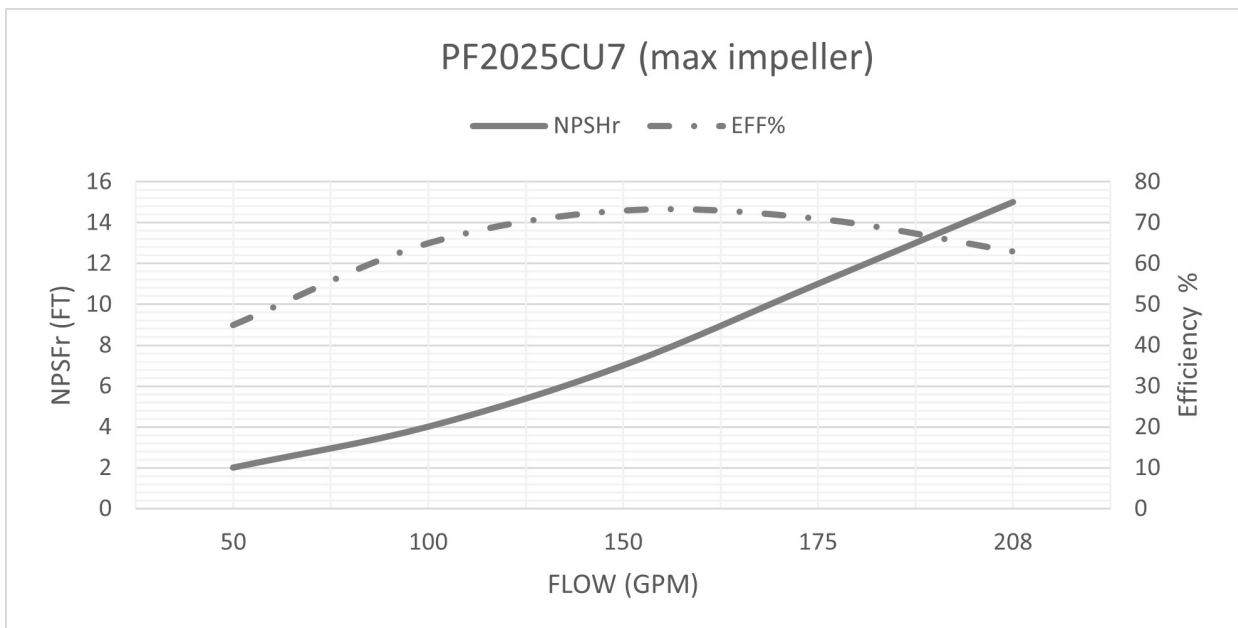
2-1/2" Suction x
2" Discharge

● 0.375" Max Solids ● 1750RPM ●

1-Stage / 153Lbs
(Pump only)



Max Impeller

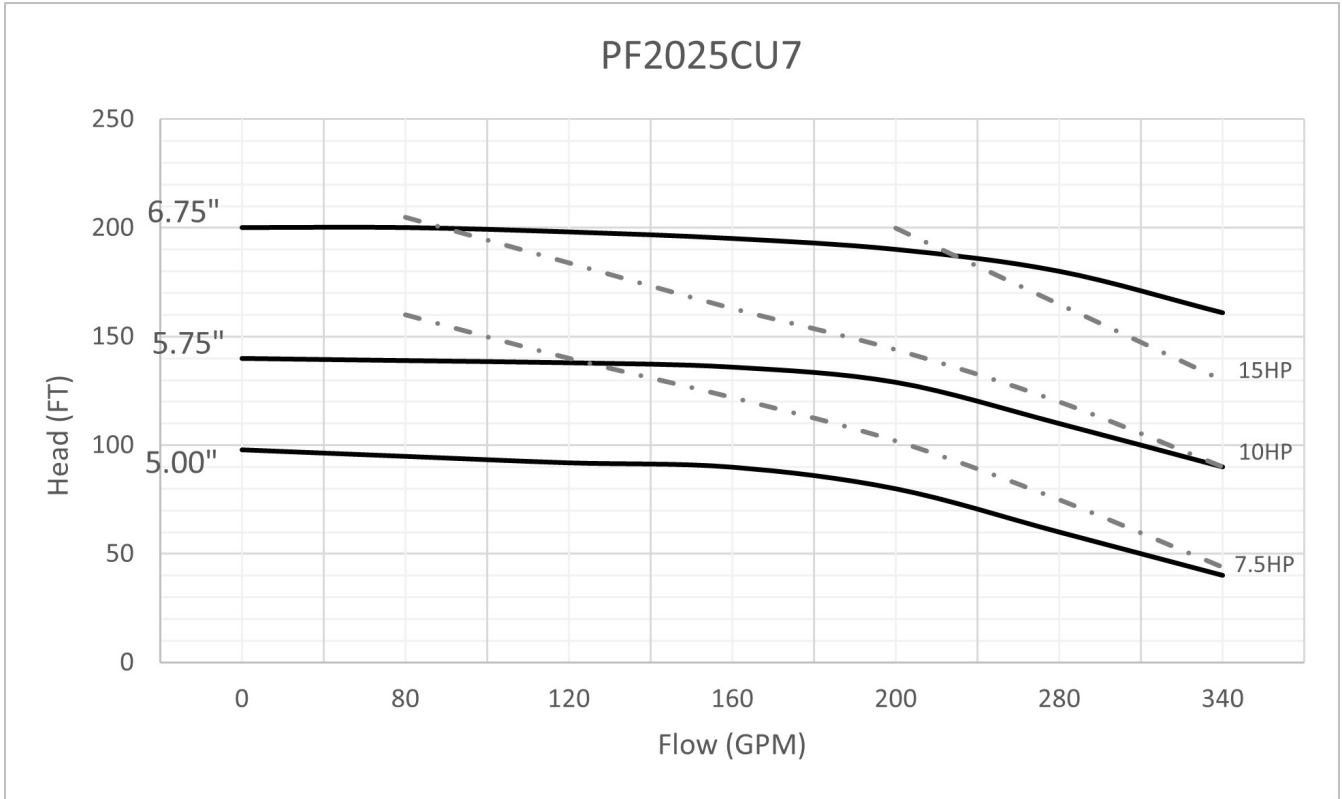


PF2025CC7

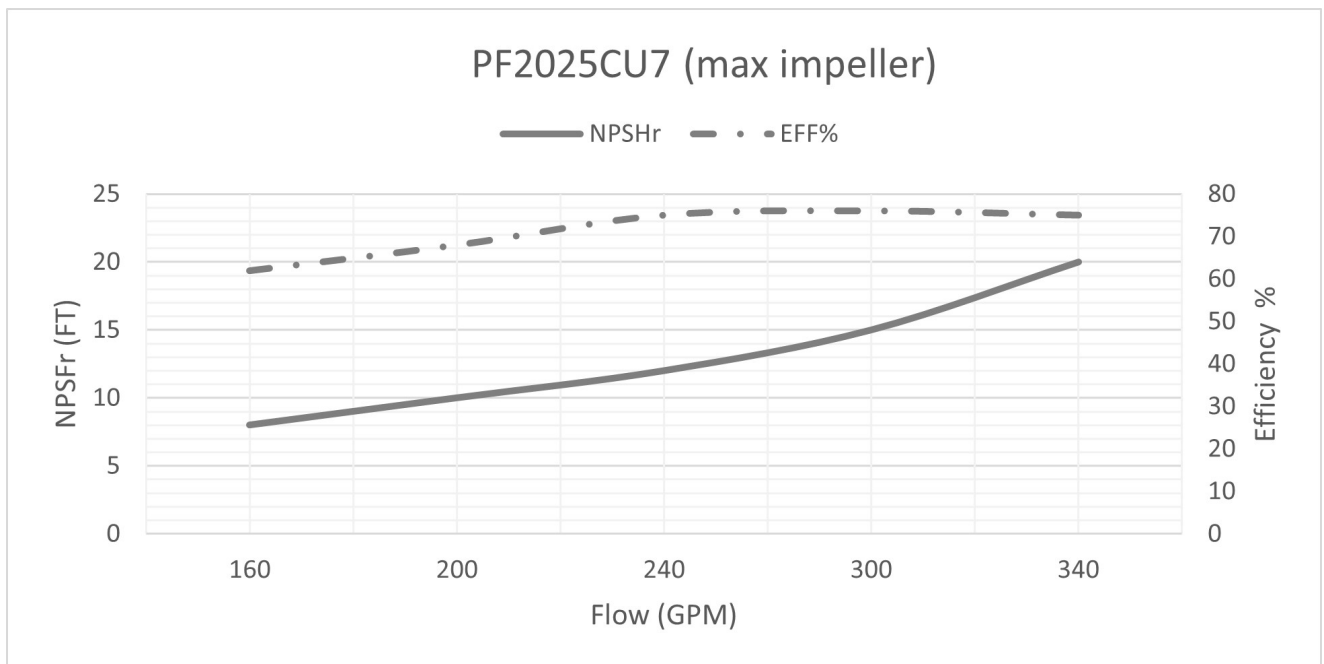
2-1/2" Suction x
2" Discharge

● 0.375" Max Solids ● 3500RPM ●

1-Stage / 153Lbs
(Pump only)



Max Impeller



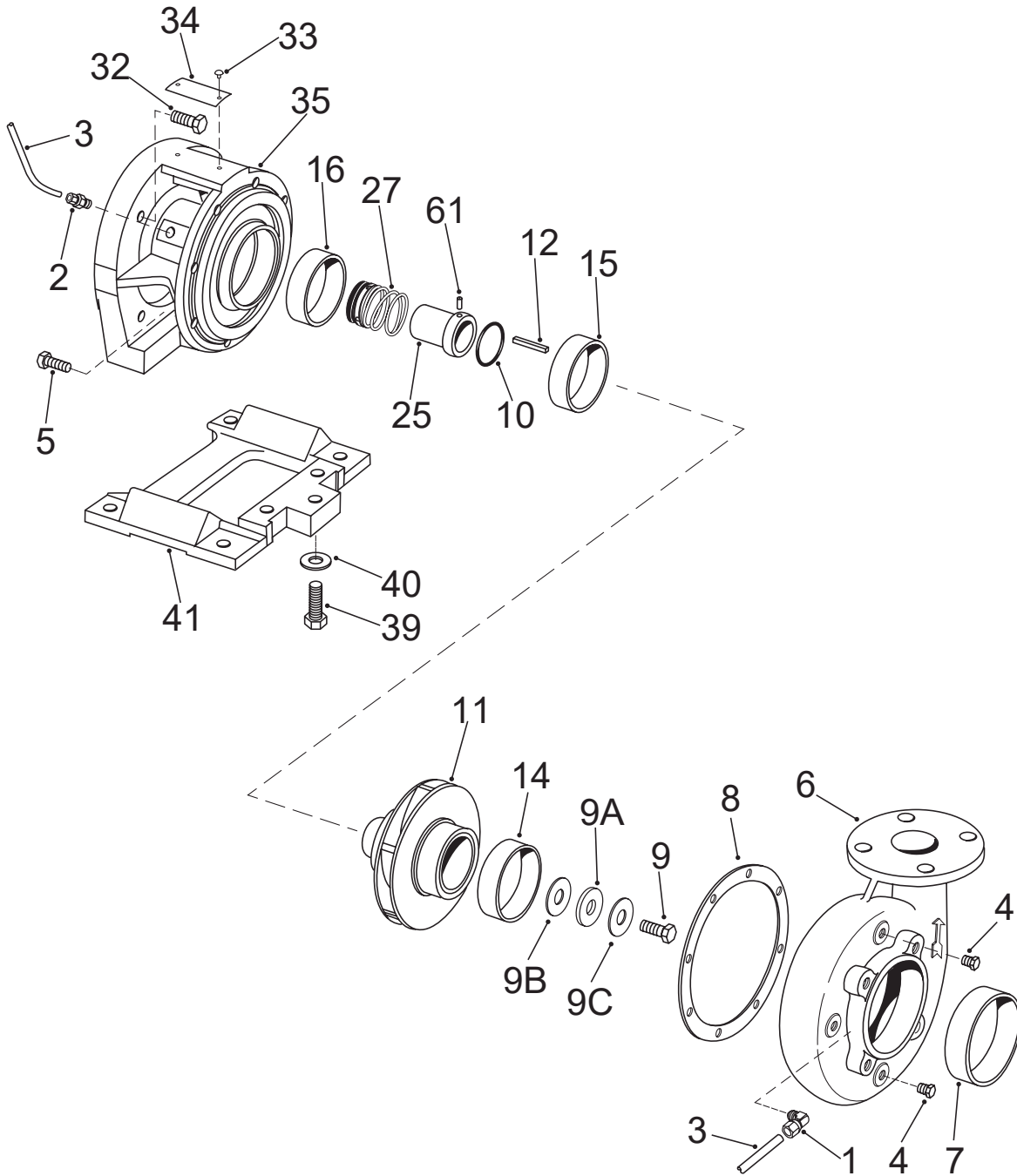
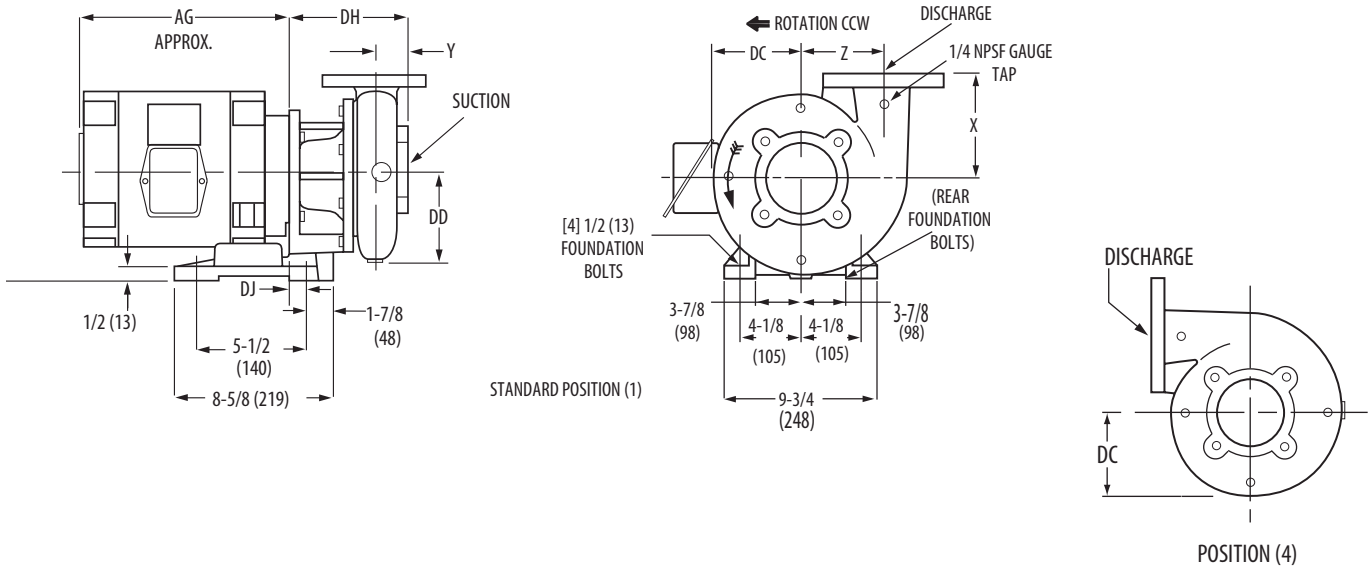


Diagram No.	Description	Qty	Part No.
1	Compression Elbow	1	PF8683660190
2	Compression Connector	1	PF8683359190
3	Tubing	1	PF8720124175
4	Pipe Plug	3	PF6000002087
5	Cap Screw	8	PF1680381082
6	Casing	1	PF1802142010
7	Case Ring	1	PF6761152208
8	Gasket	1	PF3641014603
9	Capscrew Small Bore	1	PF1680382113
9	Capscrew Large Bore	1	PF1680490113
9A	Washer, Small Bore	1	PF9080603087
9A	Washer, Large Bore	1	PF9080604087
9B	Gasket, Small Bore	1	PF3642034603
9B	Gasket, Large Bore	1	PF3642035603
9C	Capscrew Seal, Small Bore	1	PF9081290999
9C	Capscrew Seal, Large Bore	1	PF9081292999
10	O-Ring, Small Bore	1	PF3640409457
10	O-Ring, Large Bore	1	PF3640414457
11	Impeller 2x2-1/2x7A Small Bore	1	PF4430411225
11	Impeller 2x2-1/2x7A Large Bore	1	PF4432035225
12	Impeller Key, Small Bore	1	PF4720201087
12	Impeller Key, Large Bore	1	PF4720247087
25	Sleeve, Small Bore	1	PF7560077208
25	Sleeve, Large Bore	1	PF7560078208
27	Seal, Small Bore	1	PF7120907753
27	Seal, Large Bore	1	PF7120910753
32	Motor Bracket Capscrew 143JM - 184JM	4	PF1680386082
32	Motor Bracket Capscrew 213JM - 256JM	4	PF1680490082
33	Nameplate screw	1	RF
34	Nameplate	1	RF
35	Motor Bracket, 143JM - 184JM	1	PF1160192010
35	Motor Bracket, 213JM - 215JM	1	PF1160194010
35	Motor Bracket, 254JM - 256JM	1	PF1160197010
35	Motor Bracket, 284JM - 326JM	1	PF1160476010
39	Foot Capscrew, 143JM - 184JM ONLY	3	PF1680488082
40	Foot Washer. 143JM-184JM ONLY	3	PF9080114080
41	Foot Support, 143JM - 184JM ONLY	1	PF8200184010
	REPAIR KIT Small Bore (Specify Impeller Trim) includes Items 7,8,9,9A,9B,9C,10,11,12,27		PF4760403644
	REPAIR KIT Large Bore (Specify Impeller Trim) includes Items 7,8,9,9A,9B,9C,10,11,12,27		PF4760404644
	SEAL KIT Small Bore includes items 8,9,9A,9B,9C,10,12,25,27		PF4760250644
	SEAL KIT Large Bore includes items 8,9,9A,9B,9C,10,12,25,27		PF4760253644



Pumps With AM. STD. 125 LB. Flanged Connections

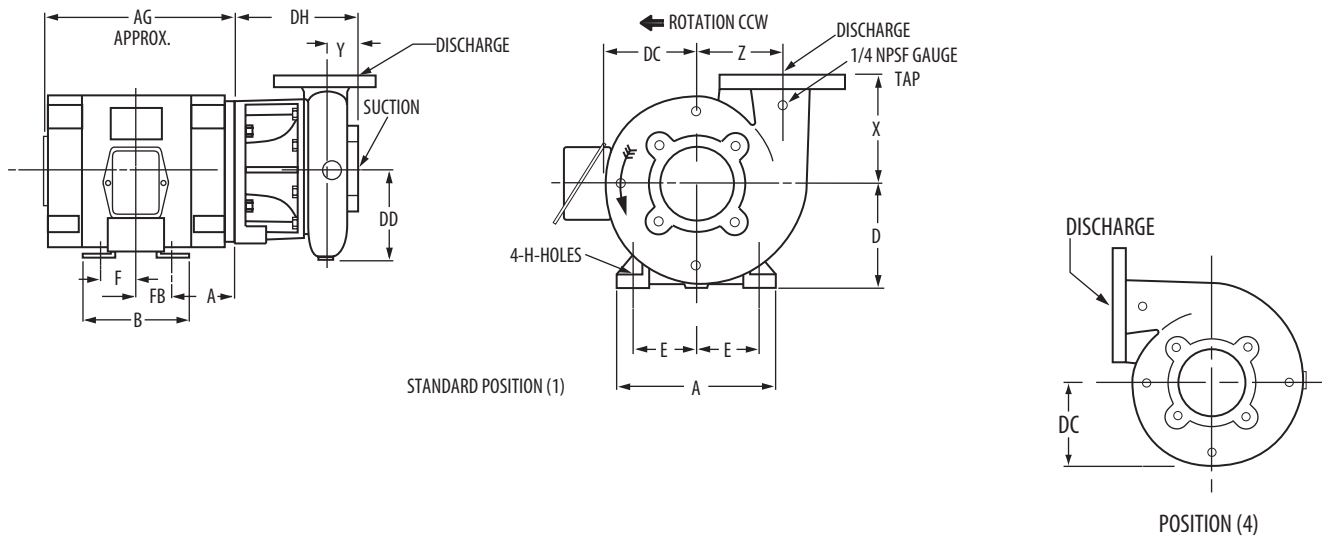
Discharge	Suction	Case Bore	X	Y	Z	DC	DD	DH		DJ	
								341A	361A	341A	361A
2	2-1/2	7	5-5/8	1-7/8	4-9/16	5-3/8	5-13/16	6-13/16	9-7/8	5/8	1-7/8
2	2-1/2	9	7	5-11/16	6-1/2	6-7/8	6-3/4	9-13/16			
3	4	9	7-1/2	2-1/8	6-1/8	6-7/8	7-7/16	7-1/4	10-5/16		
4	5	9A	7-1/4	3-1/8	5-3/4	6-11/16	7-3/8	8-3/8	11-7/16		

JM

Frame	AG
143	10
145	11
182	11
184	12

NOTES:

1. All dimensions in inches
2. Dimensions may vary $\pm 1/4$ (6).
3. Not for construction purposes unless certified.
4. Check discharge position. Casing dimension which exceed
5. Conduit box is shown in approximate location. Dimensions are not specified as they vary with each motor manufacturer.
6. Model 341A uses JM motor frames.



Pumps With ANSI 125 LB. Flanged Connections

Discharge	Suction	Case Bore	X	Y	Z	DC	DD	DH			
								341A			361A
								213JM 215 JM	254 JM 256 JM	284JM 326 JM	213 JP- 326 JP
2	2-1/2	7	5-5/8	1-7/8	4-9/16	5-3/8	5-13/16	6-13/16	7-13/16	N/A	10-11/16
2	2-1/2	9	7	1-7/8	5-11/16	6-1/2	6-7/8	6-3/4	7-3/4	7-3/4	10-5/8
3	4	9	7-1/2	2-1/8	6-1/8	6-7/8	7-7/16	7-1/4	8-1/4	8-1/4	11-1/8
4	5	9A	7-1/4	3-1/8	5-3/4	6-11/16	7-3/8	8-3/8	9-3/8	9-3/8	12-1/4

JM MOTOR FRAMES

FRAME	213	215	254	256	284	286	324	326
A	10-1/2	10-1/2	12-1/2	12-1/2	14	14	16	16

NOTES:

1. All dimensions in inches and (mm).
2. Dimensions may vary $\pm 1/4$ (6).
3. Not for construction purposes unless certified.
4. N/A = Not Applicable.
5. Check discharge position, casing dimensions which exceed dimension "D" may require pads for the motor.
6. Conduit box is shown in approximate location. Dimensions are not specified as they vary with each motor.