

Model: PF20CCE



**Self-Priming,
Close Coupled Pumps
10HP
3450RPM**

Features:

Self-priming centrifugal pumps designed for marine, municipal and industrial applications.

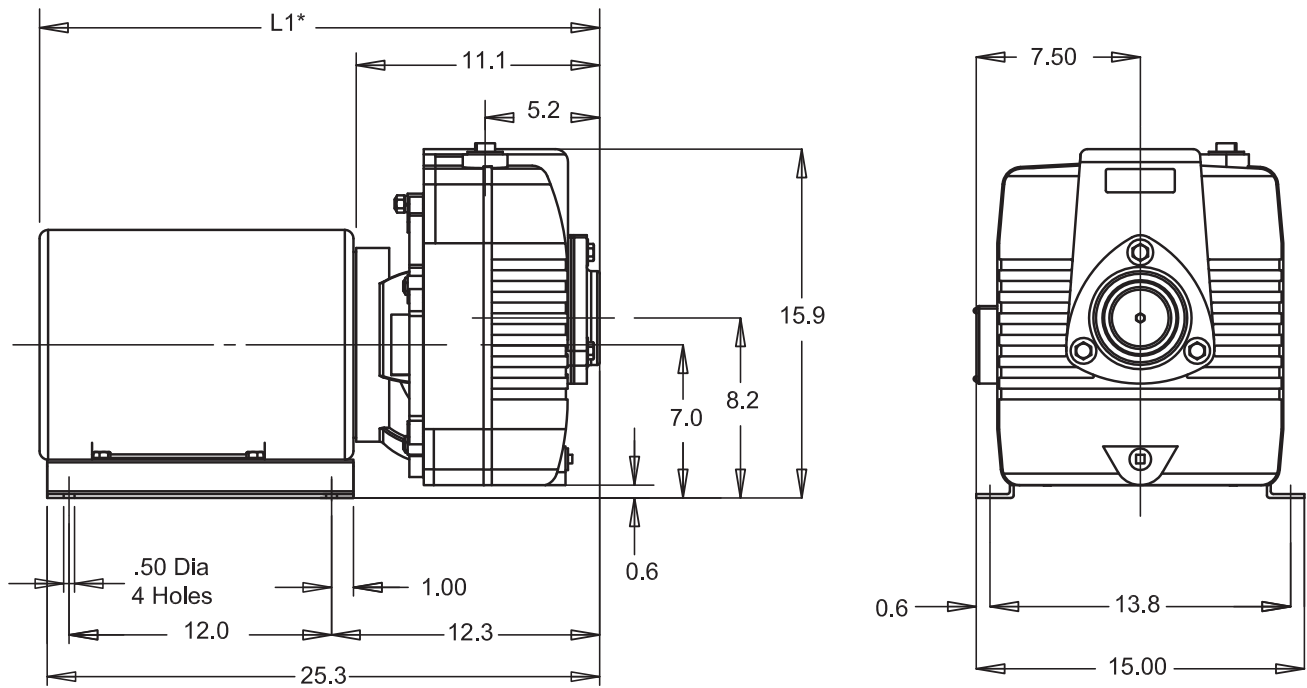
- **SUCTION/DISCHARGE:** 3" x 3" NPT, Female
- **LIQUID TEMPERATURE:** 160°F Continuous
- **INTERMEDIATE:** Cast Iron, ASTM, Class 30
- **VOLUTE:** Cast Iron, ASTM, Class 30
- **BODY:** Cast Iron, ASTM, Class 30
- **BASE:** Steel
- **PAINT:** Air dry enamel
- **SQUARE RINGS:** Buna-N
- **SHAFT:** 1035 cold rolled steel with bronze sleeve
- **HARDWARE:** Steel & Stainless steel
- **IMPELLER:** Open, trash type, dynamically balanced. 3/4" Dia., Spherical Solids, Material: Cast Iron
- **SEAL:** Design: Mechanical, Self Lubricated, 1.25" Dia. Material: Carbon/Ni-Resist/Buna-N
- **CHECK VALVE:** Valve Flap-Neoprene, Weight- Steel
- **MOTOR:** Open Drip Proof - C-Face, Footed, Squirrel Cage Induction. 40°C Ambient, Insulation: Class F
or
TEFC - C-Face, Squirrel Cage Induction. 40°C Ambient, Insulation: Class F
- **THREE PHASE:** Dual-Voltage 230/460, Usable at 208
- **OPTIONAL:** Bronze Fitted, Volute and Impeller, IEEE-45 TEFC Motors
- **WARRANTY:** 1 year



WARNING: CANCER AND REPRODUCTIVE HARM-
WWW.P65WARNINGS.CA.GOV



Model: PF20CCE



Model	HP	Enclosure	Frame	Volt	Ph	Hz	RPM	Full Load Amps*	L1* inches	Weight lbs
PF20CCE3	10	ODP	213T	208-230/460	3	60	3450	25.2-24/12	24.79	294
PF20CCE3-T	10	TEFC	213T	208-230/460	3	60	3450	25-23/11.5	26.36	301

(*) Overall length of unit and AMPS is subject to the Motor Manufacture.
For Bronze Fitted add suffix (-BF or -TBF) to model number.

Self-Priming Centrifugal Pumps - PFCCE - 3" x 3" NPT



Power-Flo Pumps & Systems

a Power-Flo Technologies company

877-24PUMPS • fax: 516-812-6897 • www.powerflopumps.com

Sect.
SP
Page
11
Rev.
02/2021

Model: PF20CCE

Self-Priming Centrifugal Pumps - PFCCE - 3" x 3" NPT

