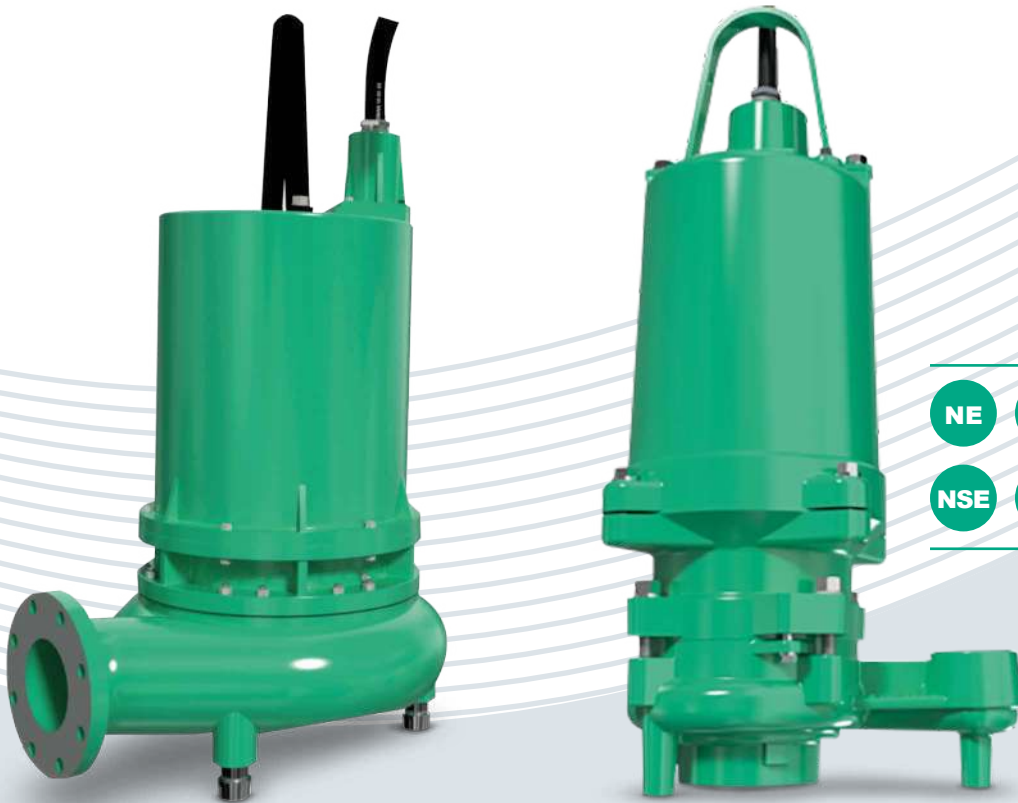


WDM[®]

PUMPS



NE NG NTE
NSE NNE Close
Coupled

- Flow Rates to : 2275 GPM
- Size to 6" Discharge
- Motors to 75 HP

- Oil Filled Motors
- Cast Iron Impeller
- Temperature to 104° F

- Easy Set Up and Installation
- Solid Handling Up to Ø 4"
- Submersible Pumps



Technical Book

Submersible Pumps 2022.

WDM Water Systems



www.wdmpumps.com

WDM Water Systems

WDM Pumps has expanded its brand as an international manufacturer of fluid handling pumps by consistently meeting and exceeding the needs of our customers.

Continuing a tradition of more than 50 years, WDM Pumps manufactures quality electric and engine driven pumps for diverse commercial and industrial applications. Our continued growth is based on a commitment to high standards for efficient product design, production, sales, and customer support.

Our customers rely on our world-class team of experienced WDM Pumps engineers, technicians, and product application specialists.

WDM offers pump products and related equipment for a wide variety of industries. WDM Pumps manufactured and distributed self priming, flexible coupled, close coupled, horizontal split case, vertical inline, UL/FM listed fire pumps, vertical multistage, ANSI, submersible sump and sewage and vertical turbine.

WDM Pumps plants are strategically located throughout the Americas with USA offices located in Tulsa Oklahoma.





Other factories:

- México
- Colombia
- Argentina
- Chile
- Brazil
- Panamá
- Guatemala
- Perú

INDEX



Pump Family		Content	Pag.
Submersible Pumps	NE NG NTE NNE NSE	Selection Charts	8-10
		Sectionals	11-14
		Dimensionals	15-24
		Repair Kit Seal NE-NG	25
		Performance Curves	26-46

NE-NHE



Submersible Pumps Close Coupled

Features:

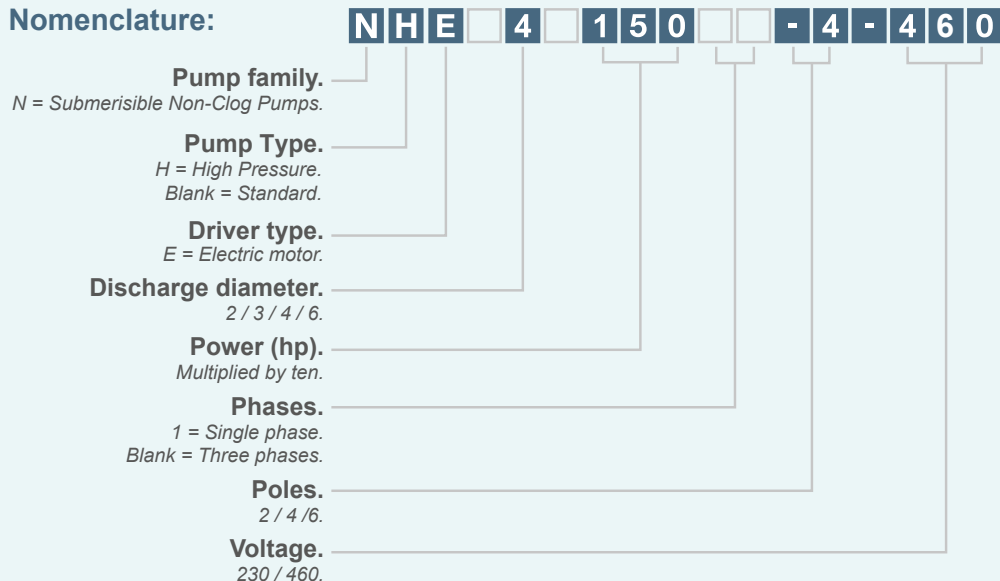
- Construction: Cast Iron.
- Suction: Up to 6"
- Impeller: Cast Iron. Semi Open. Dynamically Balanced.
- Mechanical Seal: Double, Type 1, Silicon / Buna-N.
- Motor: Submersible Nema B, Oil Filled, Squirrel Cage Induction Type.

Benefits:

- High Efficiency Design.
- Enclosed Impellers, Double Suction Provides Hydraulic Balance Eliminating Axial Thrust.
- Quick Delivery.
- Easy Set Up & Installation.
- Low and Ease Maintenance.
- Long Service Life.
- Variety of Sizes



Nomenclature:





Submersible Pumps Close Coupled

Features:

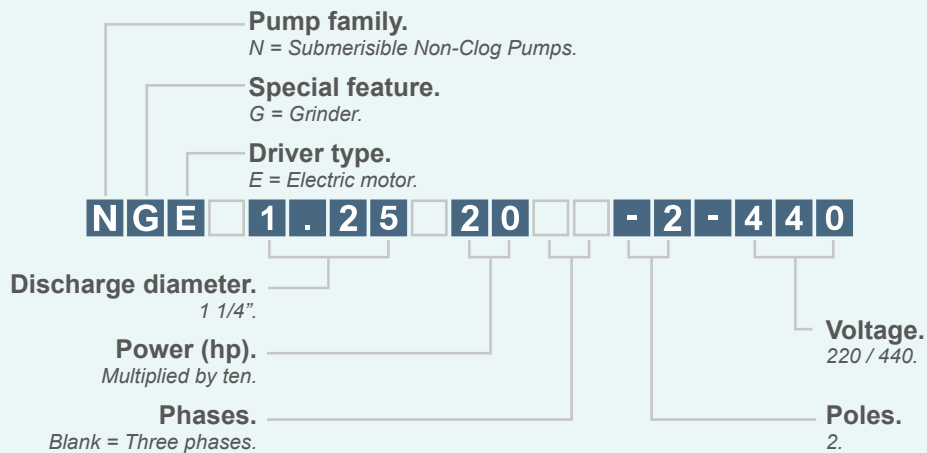
- Construction: Cast Iron.
- Discharge: Up to 2".
- Impeller: Vortex Type Dynamically Balanced.
- Mechanical Seal: Double, Type 1.
- Motor: Submersible Nema B, Oil Filled, Squirrel Cage Induction Type.
- Stainless Steel Hardware (Grinder Ring).

Benefits:

- Macerates and grinds.
- Reduces clogging problems.
- Quick delivery.
- Easy set up & installation.
- Low and ease maintenance.
- Long service life.



Nomenclature:



NTE-NNE-NSE



NTE

NNE

NSE

Submersible Pumps Close Coupled

Features:

- Construction: Cast Iron / Plastic or Stainless Steel
- Discharge: Up to 3"
- Impeller: Cast Iron. Semi Open or Closed. Dynamically Balanced.
- Mechanical Seal: Carbon or Silicon / Buna or Viton.
- Motor: IP X8

Benefits:

- High Efficiency Design.
- Quick Delivery.
- Easy Set Up & Installation.
- Low and Ease Maintenance.
- Long Service Life.
- Variety of Sizes.
- Includes Wire Connection.



Nomenclature:

N T E **2** **5** - **1** - **2** - **1 1 5**

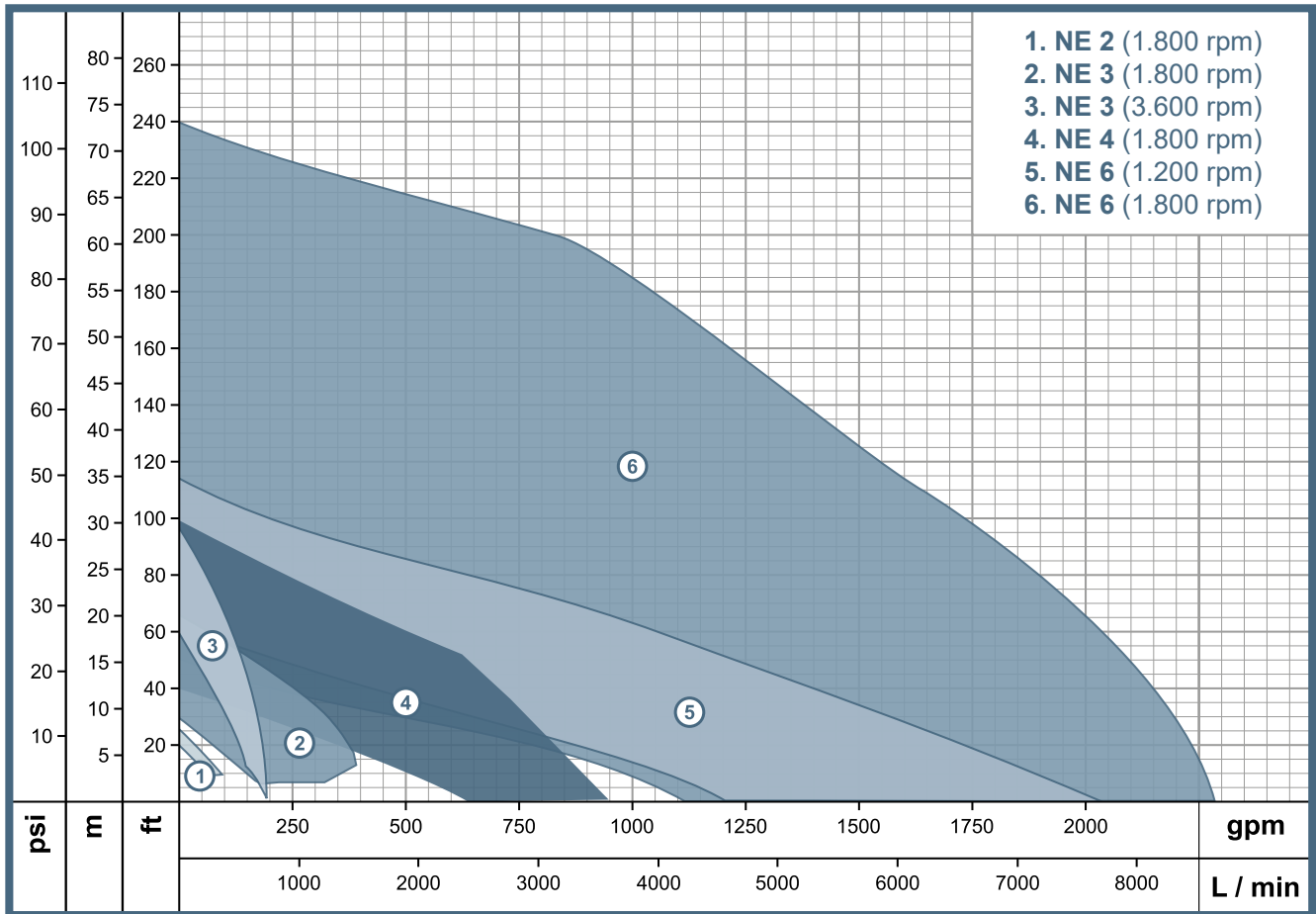
- Pump Family.**
N = Submersible Pump.
- Pump Type.**
*T = Trash Pump Cast Iron.
N = Clean Water Plastic Body.
S = Clean Water Stainless Steel Body.*
- Driver Type.**
E = Electric Motor.
- Discharge Diameter.**
2 / 3 / 4 / 6.
- Power.**
Multiplied by Ten.
- Phases.**
1 = Single Phase / Blank = Three Phases
- Poles.**
2 / 4 / 6
- Voltage.**
115 / 230 / 460

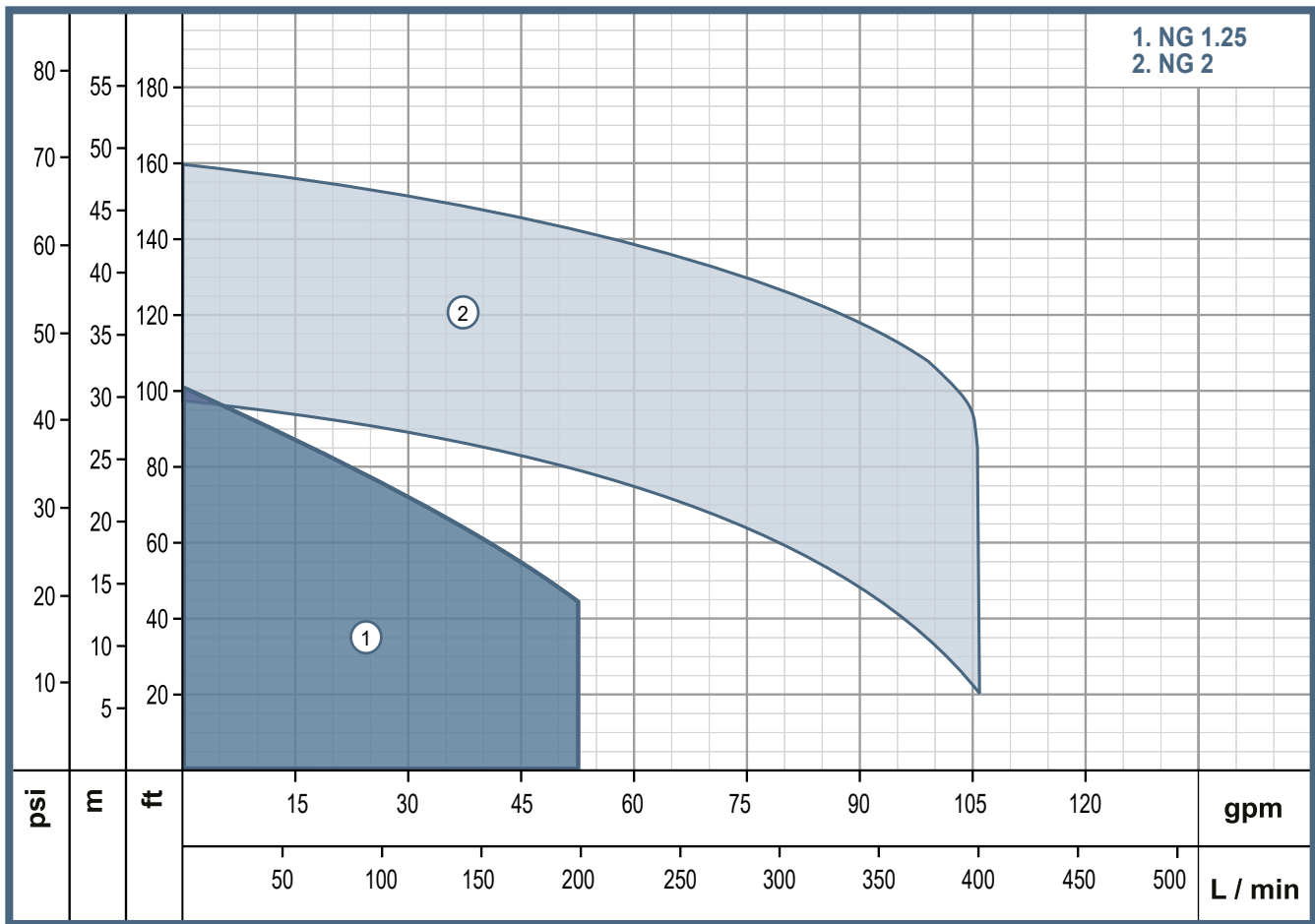
Selection chart NE Series

Submersible
Non clog Pumps



www.wdmpumps.com



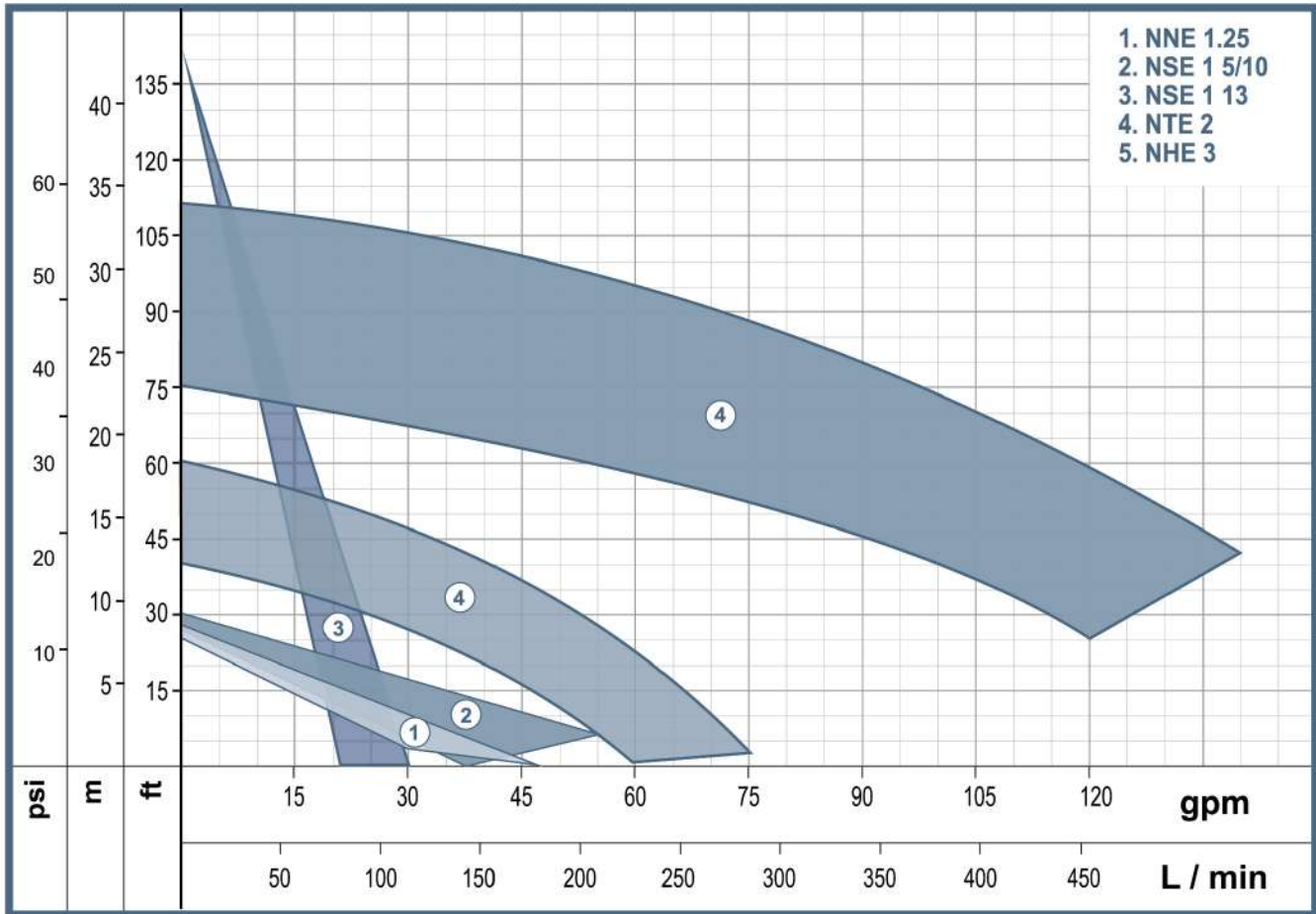


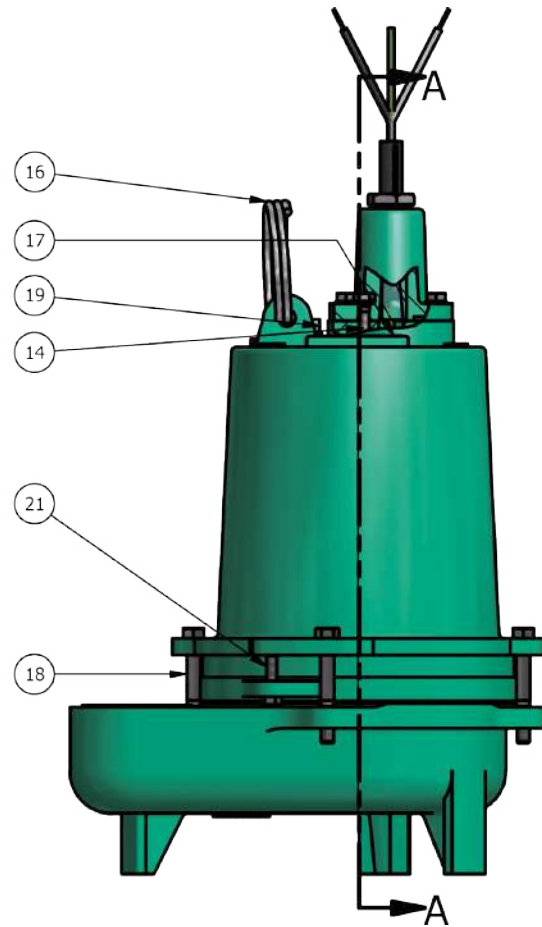
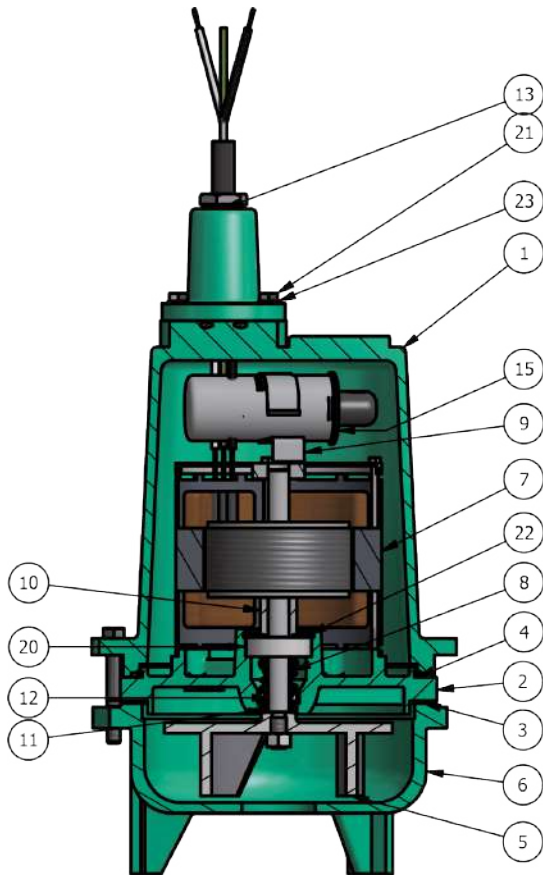
Selection chart NNE-NSE-NTE-NH Series

Submersible
Non clog Pumps



www.wdmpumps.com





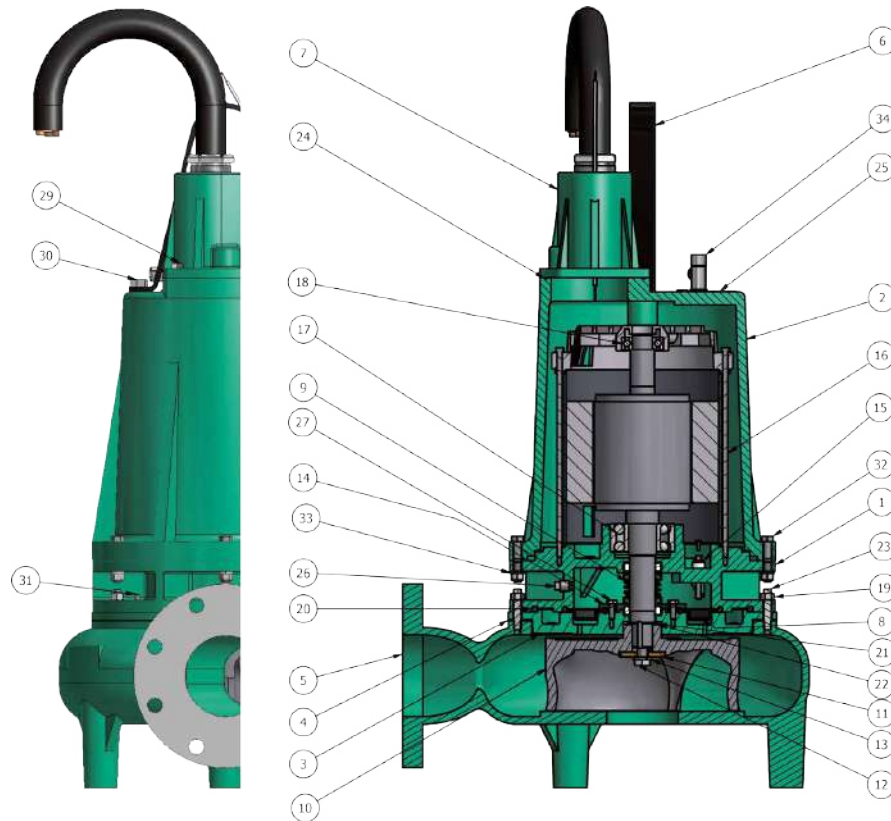
ITEM	QTY	DESCRIPTION	MATERIAL
1	1	VOLUTE	CAST IRON ASTM A48
2	1	SEAL PLATE	CAST IRON ASTM A48
3	1	SQUARE RING	BUNA
4	1	SQUARE RING	BUNA
5	1	CABLE ASSEMBLY	CAST IRON / BUNA
6	1	CONDUIT BUSHING*	CAST IRON
7	1	PULL WASHER	STAINLESS STEEL AISI 304
8	1	EXCLUSION SEAL	BUNA
9	1	BEARING	STEEL
10	4	STUD	STAINLESS STEEL AISI 304
11	1	PIPE PLUG	GALVANIZED STEEL
12	1	SNAP RING*	STEEL
13	2	SOCKET HD. CAP SCREW	STAINLESS STEEL AISI 304
14	1	SHAFT SEAL	SILICON CARBIDE VITON / SILICON CARBIDE

ITEM	QTY	DESCRIPTION	MATERIAL
15	1	KEY	STEEL
16	4	LOCK WASHER	STAINLESS STEEL AISI 304
17	4	HXHD CAP SCREW	STAINLESS STEEL AISI 304
18	1	HANDLE	STEEL ZINC COATING
19	1	O-RING	BUNA
20	1	HEX NUTS	STAINLESS STEEL AISI 304
21	1	LOCK WASHER	STAINLESS STEEL AISI 304
22	1	IMPELLER, CAST IRON	CAST IRON ASTM A48
23	1	MOTOR	CHECK INFO WITH SUPPLIER
24	1	MOTOR HOUSING	CAST IRON ASTM A48
25	4	LOCK WASHER	STAINLESS STEEL AISI 304
26	4	HEX NUTS	STAINLESS STEEL AISI 304

Sectional NE 4 Series Submersible Non clog Pumps

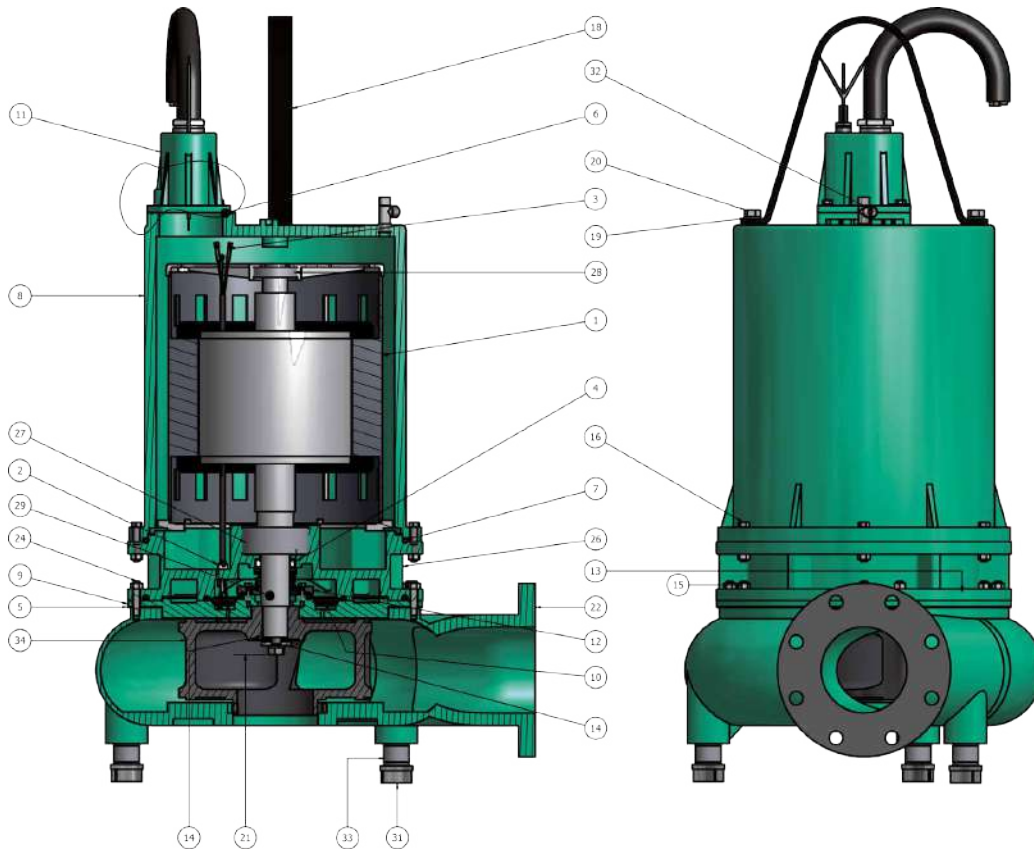


www.wdmpumps.com



ITEM	QTY	DESCRIPTION	MATERIAL
1	1	BEARING BRACKET	CAST IRON ASTM A48
2	1	MOTOR HOUSING	CAST IRON ASTM A48
3	1	SEAL PLATE	CAST IRON ASTM A48
4	1	GASKET	BUNA
5	1	VOLUTE	CAST IRON ASTM A48
6	1	LIFTING STRAP	CARBON STEEL
7	1	CABLE ASSEMBLY	CAST IRON / BUNA
8	1	DIAPHRAGM	BUNA
9	1	SHAFT SEAL	DOUBLE SEAL CARBON/CERAMIC/SILICON - CARBIDE/SILICON CARBIDE/VITON
10	1	IMPELLER CAST IRON	CAST IRON ASTM A48
11	1	IMPELLER WASHER	STAINLESS STEEL AISI 304
12	1	HEX CAP SCREW	STAINLESS STEEL AISI 304
13	1	LOCK WASHER	STAINLESS STEEL AISI 304
14	1	DIAPHRAGM CLAMP RING	CAST IRON A-48
15	2	MOISTURE SENSOR WIRE	STAINLESS STEEL / COPPER / RUBBER
16	1	MOTOR	CHECK INFO WITH SUPPLIER
17	1	BEARING	STEEL

ITEM	QTY	DESCRIPTION	MATERIAL
18	1	BEARING	STEEL
19	12	HEX NUTS	STAINLESS STEEL AISI 304
20	1	SQUARE RING	BUNA
21	1	WASHER	STAINLESS STEEL AISI 304
22	1	WASHER	STAINLESS STEEL AISI 304
23	6	STUD	STAINLESS STEEL AISI 304
24	1	SQUARE RING	BUNA
25	1	PLATE SERIES	STAINLESS STEEL AISI 304
26	1	PIPE PLUG	GALVANIZED STEEL
27	4	CAP SCREW	STAINLESS STEEL AISI 304
28	1	KEY	STEEL
29	5	CAP SCREW	STAINLESS STEEL AISI 304
30	2	CAP SCREW	STAINLESS STEEL AISI 304
31	2	SOCKET HEAD CAP SCREW	STAINLESS STEEL AISI 304
32	6	CAP SCREW	CARBON STEEL
33	6	LOCK WASHER	STAINLESS STEEL AISI 304
34	1	PRESSURE RELIEF VALVE	BRONZE



ITEM	QTY	DESCRIPTION	MATERIAL
1	1	MOTOR	CHECK INFO WITH SUPPLIER
2	2	MOISTURE SENSOR WIRE	STAINLESS STEEL / COPPER / RUBBER
3	1	GROUNDING	COPPER
4	1	SHAFT SEAL	DOUBLE SEAL CARBON/CERAMIC/SILICON – CARBIDE/SILICON CARBIDE/ITON
5	1	GASKET	BUNA
6	1	SQUARE RING	BUNA
7	2	O-RING	BUNA
8	1	MOTOR HOUSING	CAST IRON ASTM A48
9	1	SEAL PLATE	CAST IRON ASTM A48
10	1	DIAPHRAGM	BUNA
11	1	WIRE ASSEMBLY	CAST IRON / BUNA
12	1	DIAPHRAGM CLAMP	CAST IRON ASTM A48
13	4	SOCKET HEAD CAP SCREW	STAINLESS STEEL AISI 304
14	1	WASHER	STAINLESS STEEL AISI 304
15	19	HEX NUTS	STAINLESS STEEL AISI 304
16	7	CAP SCREW	STAINLESS STEEL AISI 304
17	5	CAP SCREW	STAINLESS STEEL AISI 304

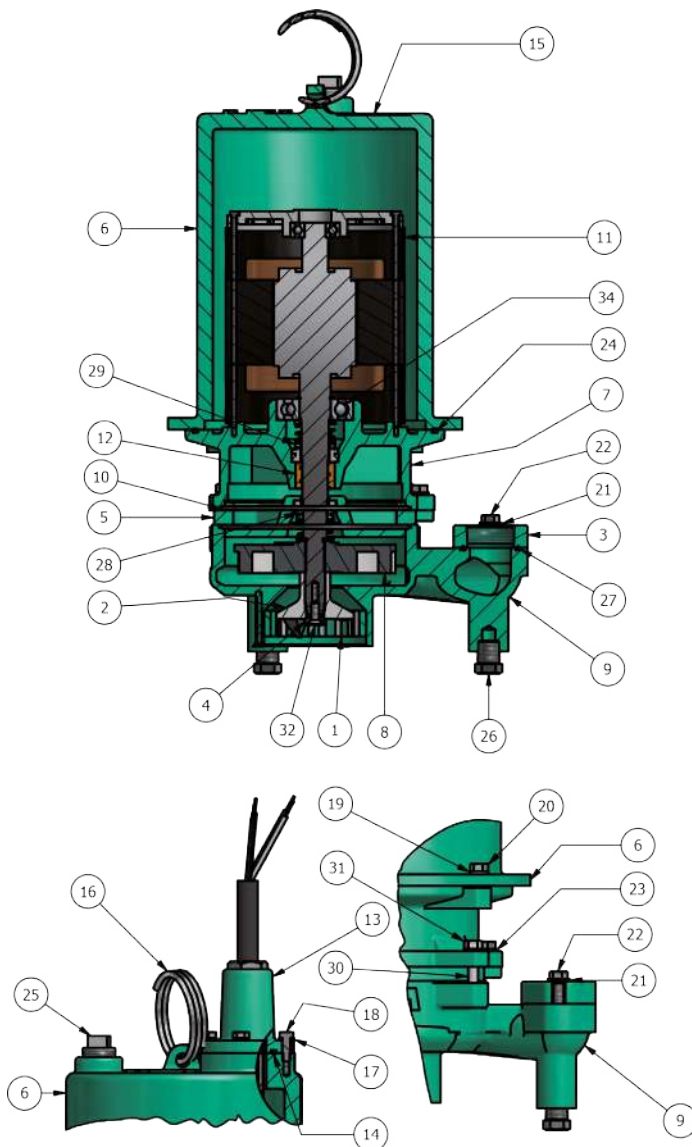
ITEM	QTY	DESCRIPTION	MATERIAL
18	1	LIFTING STRAP	STAINLESS STEEL AISI 304
19	3	LOCK WASHER	STAINLESS STEEL AISI 304
20	2	CAP SCREW	STAINLESS STEEL AISI 304
21	1	CAP SCREW	STAINLESS STEEL AISI 304
22	1	BODY	CAST IRON ASTM A48
23	1	WEAR RING	BRONZE OR CAST IRON ASTM A48
24	12	STUD	STAINLESS STEEL AISI 304
25	4	HEX NUTS	STAINLESS STEEL AISI 304
26	1	BEARING BRACKET	CAST IRON ASTM A48
27	1	BEARING	STEEL
28	1	BEARING	STEEL
29	4	CAP SCREW	STAINLESS STEEL AISI 304
30	2	PIPE PLUG	GALVANIZED STEEL
31	3	CAP	STAINLESS STEEL AISI 304
32	1	PRESSURE VALVE	BRONZE
33	3	LEG	STAINLESS STEEL AISI 304
34	1	IMPELLER	CAST IRON ASTM A48

Sectional NGE 1.25 - 2 Series

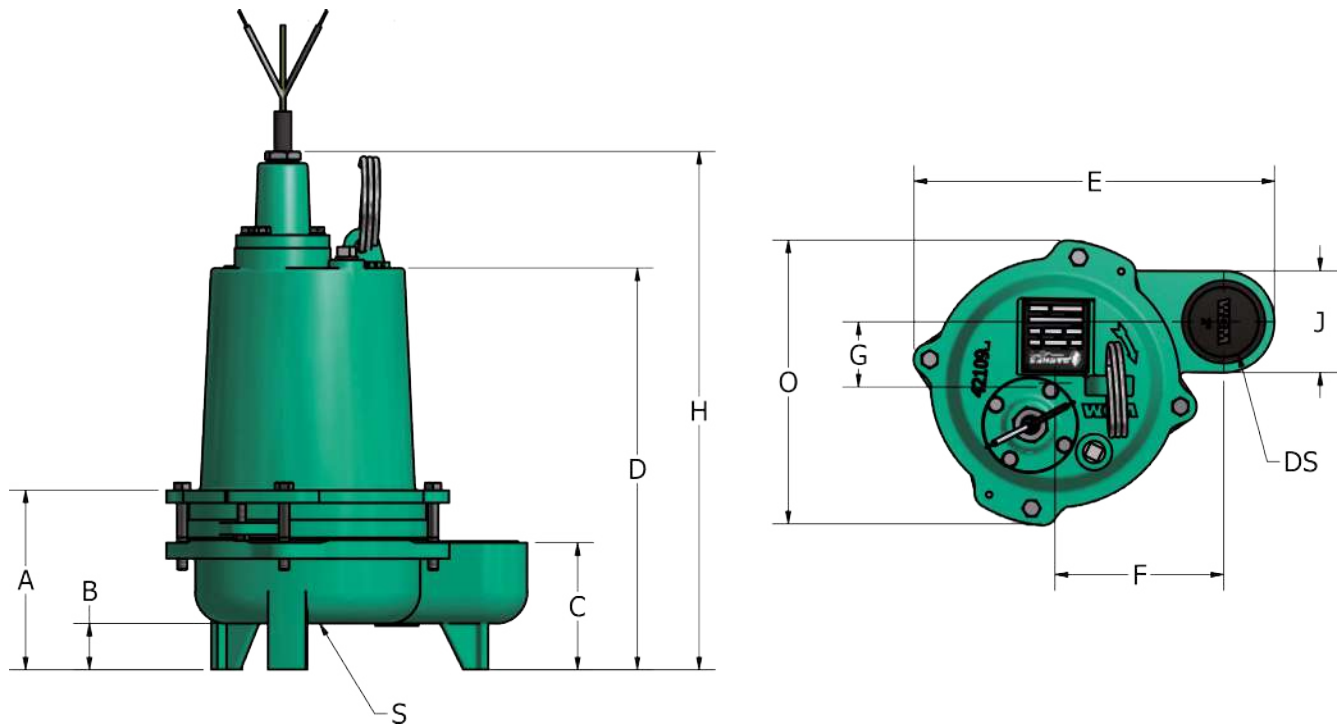
Submersible
Non clog Pump
"Grinder"



www.wdmpumps.com



ITEM	QTY	DESCRIPTION	MATERIAL
1	1	SHREDDING RING	INOX 440C
2	1	RADIAL CUTTER	INOX 440C
3	1	DISCHARGE FLANGE	CAST IRON ASTM A48
4	1	WASHER	STAINLESS STEEL AISI 304
5	1	SEAL PLATE	CAST IRON ASTM A48
6	1	MOTOR HOUSING	CAST IRON ASTM A48
7	1	INTERMEDIATE COUPLING	CAST IRON ASTM A48
8	1	IMPELLER	CAST IRON ASTM A48
9	1	VOLUTE	CAST IRON ASTM A48
10	2	O-RING	BUNA
11	1	MOTOR	CHECK INFO WITH SUPPLIER
12	1	CENTRAL HUB	BRONZE
13	1	WIRE ASSEMBLY	CAST IRON / BUNA
14	1	O-RING	BUNA
15	1	PLATE SERIES	STAINLESS STEEL AISI 304
16	1	LIFTING HANDLE	STAINLESS STEEL AISI 304
17	4	LOCK WASHER	STAINLESS STEEL AISI 304
18	4	SCREW	STAINLESS STEEL AISI 304
19	4	LOCK WASHER	STAINLESS STEEL AISI 304
20	4	SCREW	STAINLESS STEEL AISI 304
21	2	WASHER	STAINLESS STEEL AISI 304
22	4	SCREW	STAINLESS STEEL AISI 304
23	6	LOCK WASHER	STAINLESS STEEL AISI 304
24	1	SQUARE RING	BUNA
25	1	PIPE PLUG	GALVANIZED STEEL
26	3	PIPE PLUG	GALVANIZED STEEL
27	1	O-RING	BUNA
28	1	SEAL, OUTER*	CARBON / CERAMIC / BUNA
29	1	SEAL, INNER	CARBON / SILICON CARBIDE / VITON
30	4	STUD	STAINLESS STEEL AISI 304
31	4	HEX NUTS	STAINLESS STEEL AISI 304
32	1	SKHD SCREW	STAINLESS STEEL AISI 304
33	1	BEARING	STEEL

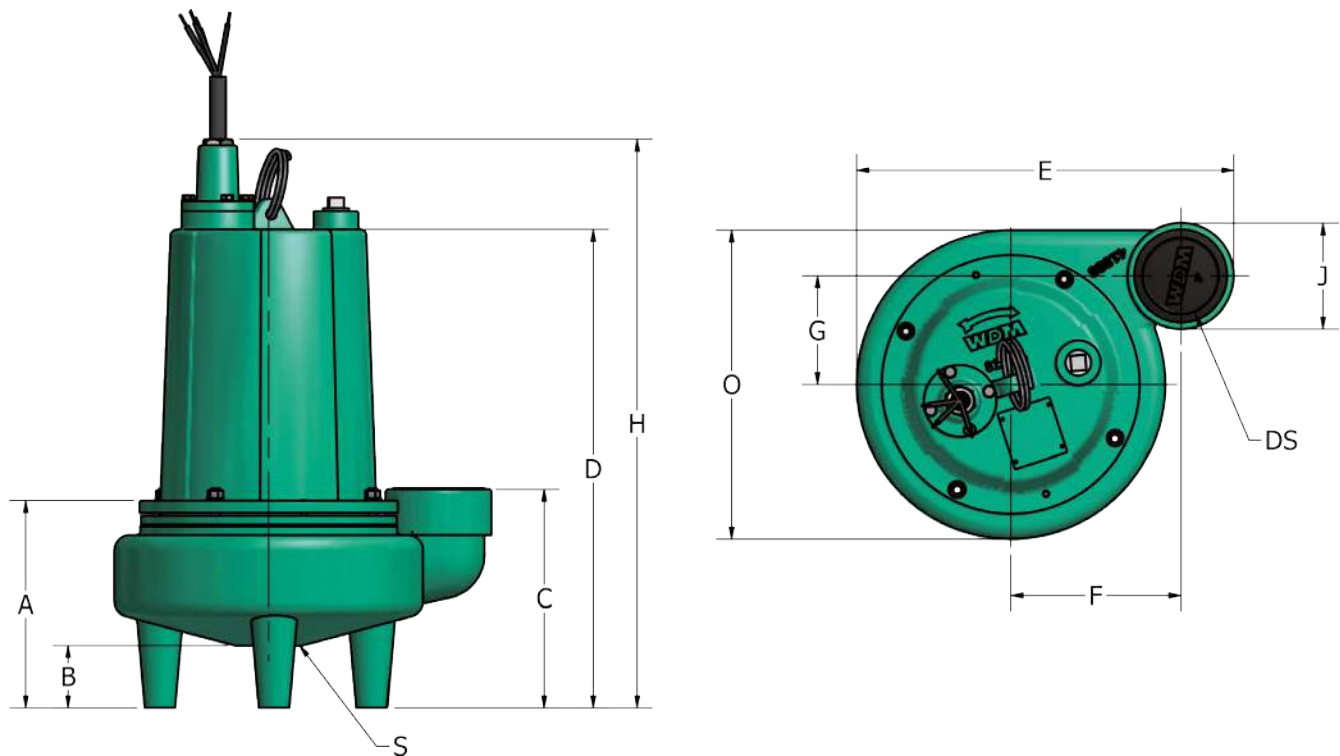


Dimensions (inches)												
Model	Ref.	A	B	C	D	E	F	G	H	J	O	Dis
NE 2 4-1-4-110	1C0016	5 5/8"	1 1/2"	4"	12 5/8"	11 5/16"	5 1/4"	2"	16 1/4"	3 3/16"	8 15/16"	2"

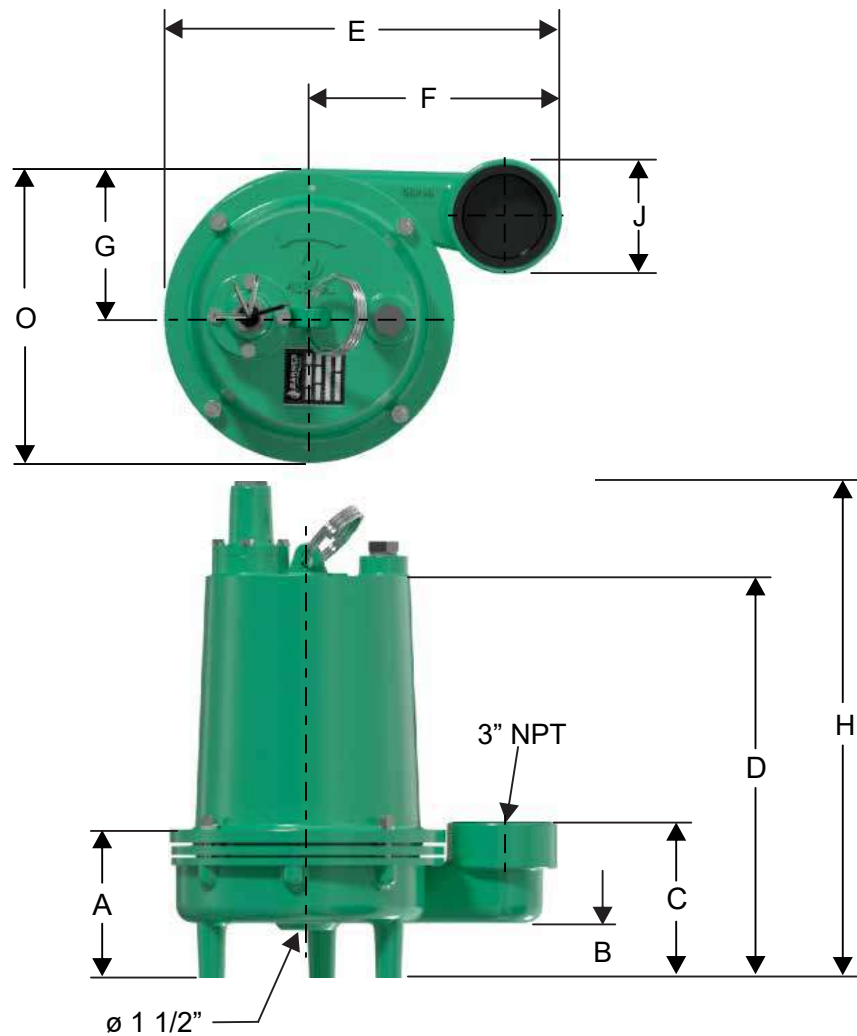
**Dimensional
NE 3 Series**
Submersible
Non clog Pumps



www.wdmpumps.com



Dimensions (inches)												
Model	Ref.	A	B	C	D	E	F	G	H	J	O	Dis
NE 3 20-2-220	1C0022	6 1/16"	2"	6"	15 3/4"	15 13/16"	8 1/4"	2 3/8"	19 7/16"	4 3/8"	10 3/4"	3"
NE 3 20-2-440	1C0018	6 1/16"	2"	6"	15 3/4"	15 13/16"	8 1/4"	2 3/8"	19 7/16"	4 3/8"	10 3/4"	3"
NE 3 30-2-220	1C0033	6 1/16"	2"	6"	17 3/16"	15 13/16"	8 1/4"	2 3/8"	20 13/16"	4 3/8"	10 3/4"	3"
NE 3 30-2-440	1C0034	6 1/16"	2"	6"	17 3/16"	15 13/16"	8 1/4"	2 3/8"	20 13/16"	4 3/8"	10 3/4"	3"
NE 3 5-1-4-110	1C0030	7 3/8"	2 1/2"	8 1/4"	16 1/8"	13 3/8"	6 1/4"	3 3/16"	19 3/4"	4 3/8"	9 7/8"	3"
NE 3 7-1-4-220	1C0031	7 3/8"	2 1/2"	8 1/4"	16 1/8"	13 3/8"	6 1/4"	3 3/16"	19 3/4"	4 3/8"	9 7/8"	3"
NE 3 10-1-4-220	1C0025	7 3/8"	2 1/2"	8 1/4"	16 1/8"	13 3/8"	6 1/4"	3 3/16"	19 3/4"	4 3/8"	9 7/8"	3"
NE 3 10-4-220	1C0014	7 3/8"	2 1/2"	8 1/4"	16 1/8"	13 3/8"	6 1/4"	3 3/16"	19 3/4"	4 3/8"	9 7/8"	3"
NE 3 10-4-440	1C0013	7 3/8"	2 1/2"	8 1/4"	16 1/8"	13 3/8"	6 1/4"	3 3/16"	19 3/4"	4 3/8"	9 7/8"	3"
NE 3 20-4-220	1C0024	8 1/2"	2 1/2"	9"	18 3/16"	15 1/2"	7"	4 7/16"	21 7/8"	4 3/8"	12 5/8"	3"
NE 3 20-4-440	1C0032	8 1/2"	2 1/2"	9"	18 3/16"	15 1/2"	7"	4 7/16"	21 7/8"	4 3/8"	12 5/8"	3"
NE 3 30-4-220	1C0027	8 1/2"	2 1/2"	9"	19 9/16"	15 1/2"	7"	4 7/16"	23 1/8"	4 3/8"	12 5/8"	3"
NE 3 30-4-440	1C0028	8 1/2"	2 1/2"	9"	19 9/16"	15 1/2"	7"	4 7/16"	23 1/8"	4 3/8"	12 5/8"	3"



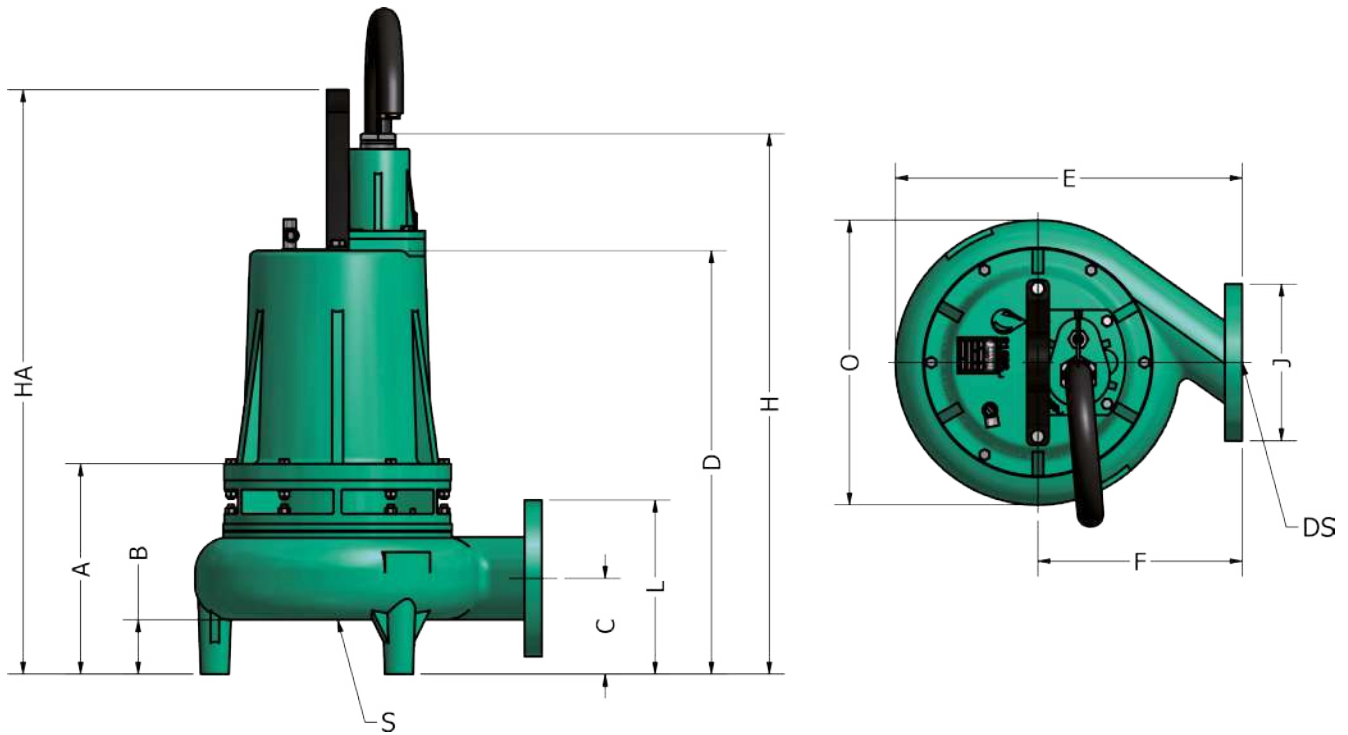
Dimensions (Inches)												
Model	Ref.	A	B	C	D	E	F	G	H	J	O	Dis
NHE 3 10-1-2-220	1C0019	5 5/8	2 1/8	6	15 3/8	14 3/8	7	3 7/8	19	10 3/4	4 1/8	3
NHE 3 20-2-220	1C0020	5 5/8	2 1/8	6	15 3/8	14 3/8	7	3 7/8	19	10 3/4	4 1/8	3
NHE 3 20-2-440	1C0021	5 5/8	2 1/8	6	16 3/4	14 3/8	7	3 7/8	20 3/8	10 3/4	4 1/8	3
NHE 3 30-2-220	1C0011	5 5/8	2 1/8	6	16 3/4	14 3/8	7	3 7/8	20 3/8	10 3/4	4 1/8	3
NHE 3 30-2-440	1C0012	5 5/8	2 1/8	6	16 3/4	14 3/8	7	3 7/8	20 3/8	10 3/4	4 1/8	3

Dimensional NE 4 Series

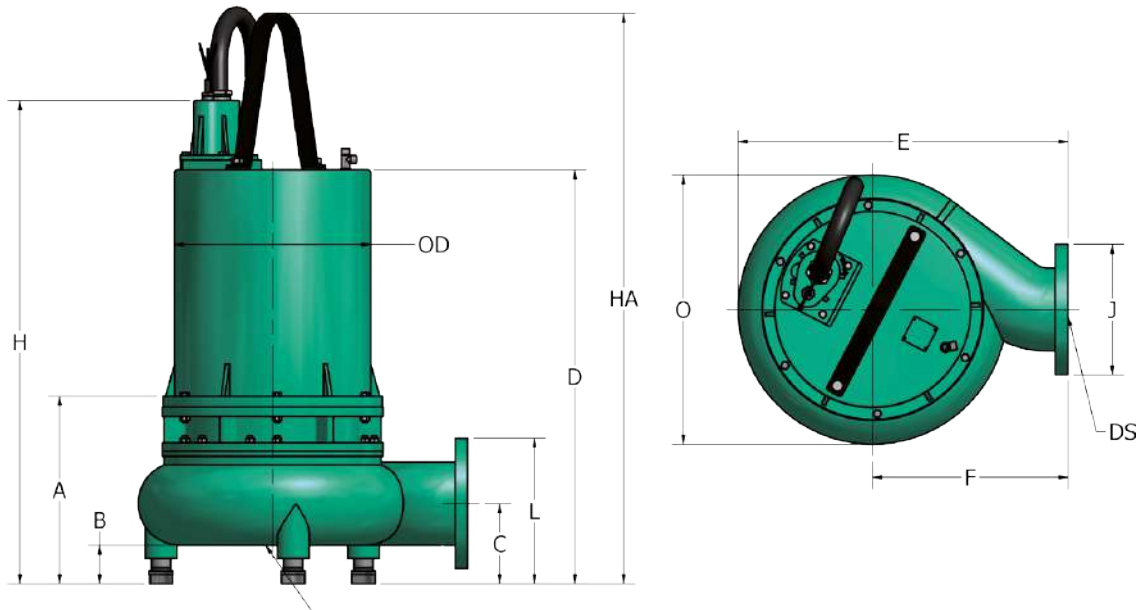
Submersible
Non clog Pumps



www.wdmpumps.com



Dimensions (inches)													
Model	Ref.	A	B	C	D	E	F	H	HA	J	L	O	Dis
NE 4 45-4-220	1C0061	12 1/16"	3 1/8"	5 1/2"	24 3/8"	20"	11 3/4"	31 1/16"	33 5/8"	9"	10"	16 3/8"	4"
NE 4 45-4-440	1C0078	12 1/16"	3 1/8"	5 1/2"	24 3/8"	20"	11 3/4"	31 1/16"	33 5/8"	9"	10"	16 3/8"	4"
NE 4 75-4-220	1C0062	12 1/16"	3 1/8"	5 1/2"	24 3/8"	20"	11 3/4"	31 1/16"	33 5/8"	9"	10"	16 3/8"	4"
NE 4 75-4-440	1C0067	12 1/16"	3 1/8"	5 1/2"	24 3/8"	20"	11 3/4"	31 1/16"	33 5/8"	9"	10"	16 3/8"	4"
NE 4 113-4-220	1C0063	12 1/16"	3 1/8"	5 1/2"	24 3/8"	20"	11 3/4"	31 1/16"	33 5/8"	9"	10"	16 3/8"	4"
NE 4 113-4-440	1C0077	12 1/16"	3 1/8"	5 1/2"	24 3/8"	20"	11 3/4"	31 1/16"	33 5/8"	9"	10"	16 3/8"	4"
NE 4 150-4-220	1C0064	12 1/16"	3 1/8"	5 1/2"	24 3/8"	20"	11 3/4"	31 1/16"	33 5/8"	9"	10"	16 3/8"	4"
NE 4 150-4-440	1C0069	12 1/16"	3 1/8"	5 1/2"	24 3/8"	20"	11 3/4"	31 1/16"	33 5/8"	9"	10"	16 3/8"	4"



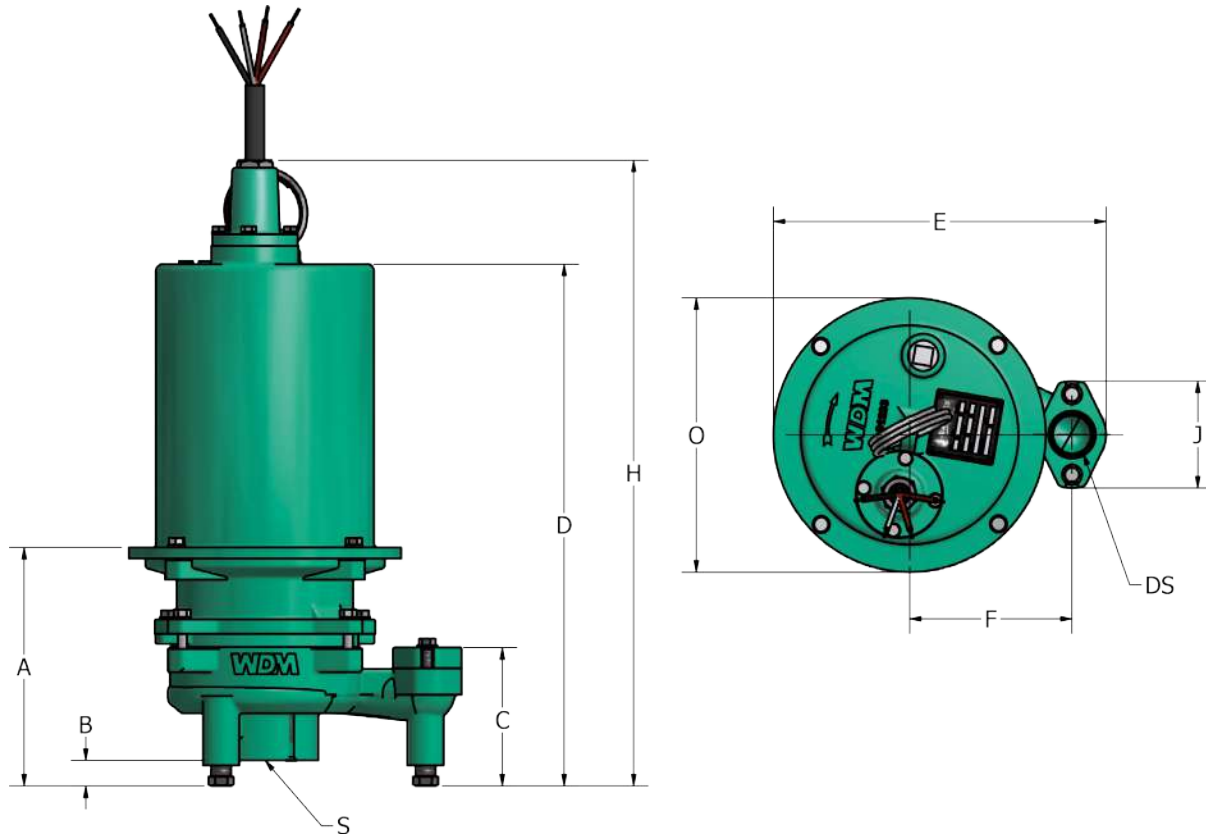
Dimensions (Inches)														
Model	Ref.	A	B	C	D	E	F	H	HA	J	L	O	OD	Dis
NE 6 180-4-220	1C0101	16 3/16"	3 3/8"	6 15/16"	35 3/4"	28 1/2"	16 7/8"	41 3/4"	49 1/4"	11 1/4"	12 1/2"	23 1/4"	17"	6"
NE 6 180-4-440	1C0102	16 3/16"	3 3/8"	6 15/16"	35 3/4"	28 1/2"	16 7/8"	41 3/4"	49 1/4"	11 1/4"	12 1/2"	23 1/4"	17"	6"
NE 6 240-4-220	1C0103	16 3/16"	3 3/8"	6 15/16"	35 3/4"	28 1/2"	16 7/8"	41 3/4"	49 1/4"	11 1/4"	12 1/2"	23 1/4"	17"	6"
NE 6 240-4-440	1C0104	16 3/16"	3 3/8"	6 15/16"	35 3/4"	28 1/2"	16 7/8"	41 3/4"	49 1/4"	11 1/4"	12 1/2"	23 1/4"	17"	6"
NE 6 300-4-220	1C0074	16 3/16"	3 3/8"	6 15/16"	35 3/4"	28 1/2"	16 7/8"	41 3/4"	49 1/4"	11 1/4"	12 1/2"	23 1/4"	17"	6"
NE 6 300-4-440	1C0105	16 3/16"	3 3/8"	6 15/16"	35 3/4"	28 1/2"	16 7/8"	41 3/4"	49 1/4"	11 1/4"	12 1/2"	23 1/4"	17"	6"
NE 6 360-4-220	1C0106	16 3/16"	3 3/8"	6 15/16"	35 3/4"	28 1/2"	16 7/8"	41 3/4"	49 1/4"	11 1/4"	12 1/2"	23 1/4"	17"	6"
NE 6 360-4-440	1C0107	16 3/16"	3 3/8"	6 15/16"	35 3/4"	28 1/2"	16 7/8"	41 3/4"	49 1/4"	11 1/4"	12 1/2"	23 1/4"	17"	6"
NE 6 480-4-220	1C0108	16 3/16"	3 3/8"	6 15/16"	35 3/4"	28 1/2"	16 7/8"	41 3/4"	49 1/4"	11 1/4"	12 1/2"	23 1/4"	17"	6"
NE 6 480-4-440	1C0110	16 3/16"	3 3/8"	6 15/16"	35 3/4"	28 1/2"	16 7/8"	41 3/4"	49 1/4"	11 1/4"	12 1/2"	23 1/4"	17"	6"
NE 6 600-4-220	1C0111	16 3/16"	3 3/8"	6 15/16"	35 3/4"	28 1/2"	16 7/8"	41 3/4"	49 1/4"	11 1/4"	12 1/2"	23 1/4"	17"	6"
NE 6 600-4-440	1C0109	16 3/16"	3 3/8"	6 15/16"	35 3/4"	28 1/2"	16 7/8"	41 3/4"	49 1/4"	11 1/4"	12 1/2"	23 1/4"	17"	6"
NE 6 750-4-440	1C0113	16 3/16"	3 3/8"	6 15/16"	35 3/4"	28 1/2"	16 7/8"	41 3/4"	49 1/4"	11 1/4"	12 1/2"	23 1/4"	17"	6"
NE 6 90-6-220	1C0095	16 3/16"	3 3/8"	6 15/16"	35 3/4"	28 1/2"	16 7/8"	41 3/4"	49 1/4"	11 1/4"	12 1/2"	23 1/4"	17"	6"
NE 6 90-6-440	1C0096	16 3/16"	3 3/8"	6 15/16"	35 3/4"	28 1/2"	16 7/8"	41 3/4"	49 1/4"	11 1/4"	12 1/2"	23 1/4"	17"	6"
NE 6 120-6-220	1C0097	16 3/16"	3 3/8"	6 15/16"	35 3/4"	28 1/2"	16 7/8"	41 3/4"	49 1/4"	11 1/4"	12 1/2"	23 1/4"	17"	6"
NE 6 120-6-440	1C0098	16 3/16"	3 3/8"	6 15/16"	35 3/4"	28 1/2"	16 7/8"	41 3/4"	49 1/4"	11 1/4"	12 1/2"	23 1/4"	17"	6"
NE 6 180-6-220	1C0072	16 3/16"	3 3/8"	6 15/16"	35 3/4"	28 1/2"	16 7/8"	41 3/4"	49 1/4"	11 1/4"	12 1/2"	23 1/4"	17"	6"
NE 6 180-6-440	1C0099	16 3/16"	3 3/8"	6 15/16"	35 3/4"	28 1/2"	16 7/8"	41 3/4"	49 1/4"	11 1/4"	12 1/2"	23 1/4"	17"	6"
NE 6 240-6-220	1C0071	16 3/16"	3 3/8"	6 15/16"	35 3/4"	28 1/2"	16 7/8"	41 3/4"	49 1/4"	11 1/4"	12 1/2"	23 1/4"	17"	6"
NE 6 240-6-440	1C0100	16 3/16"	3 3/8"	6 15/16"	35 3/4"	28 1/2"	16 7/8"	41 3/4"	49 1/4"	11 1/4"	12 1/2"	23 1/4"	17"	6"
NE 6 300-6-220	1C0070	16 3/16"	3 3/8"	6 15/16"	35 3/4"	28 1/2"	16 7/8"	41 3/4"	49 1/4"	11 1/4"	12 1/2"	23 1/4"	17"	6"
NE 6 300-6-440	1C0073	16 3/16"	3 3/8"	6 15/16"	35 3/4"	28 1/2"	16 7/8"	41 3/4"	49 1/4"	11 1/4"	12 1/2"	23 1/4"	17"	6"

Dimensional NGE 1.25 - 2 Series

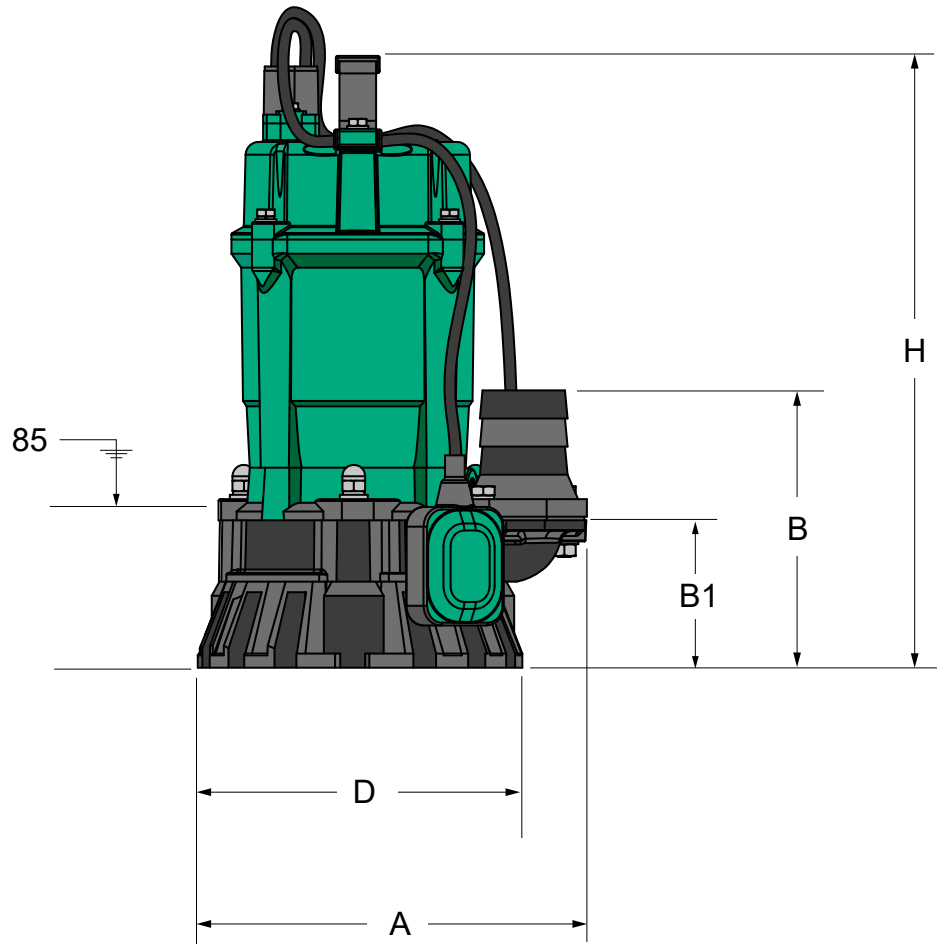
Submersible
Non clog Pump
"Grinder"



www.wdmpumps.com



Dimensions (inches)											
Model	Reference	A	B	C	D	E	F	H	J	O	Dis
NGE 1.25 20-2-220	1C0120	8-1/8"	7/8"	4-3/4"	17-7/8"	11-1/2"	5-9/16"	21-3/8"	3-5/8"	9-3/8"	1 1/2"
NGE 1.25 20-2-440	1C0121	8-1/8"	7/8"	4-3/4"	17-7/8"	11-1/2"	5-9/16"	21-3/8"	3-5/8"	9-3/8"	1 1/2"
NG 2 30-2-220	1C0122	12 1/4	2 5/8	6 7/8	23 5/8	13 7/8	7 1/2	30 5/8	3 3/8	9 3/8	2
NG 2 30-2-440	1C0123	12 1/4	2 5/8	6 7/8	23 5/8	13 7/8	7 1/2	30 5/8	3 3/8	9 3/8	2
NG 2 50-2-220	1C0124	12 1/4	2 5/8	6 7/8	23 5/8	13 7/8	7 1/2	30 5/8	3 3/8	9 3/8	2
NG 2 50-2-440	1C0125	12 1/4	2 5/8	6 7/8	23 5/8	13 7/8	7 1/2	30 5/8	3 3/8	9 3/8	2
NG 2 75-2-220	1C0126	12 1/4	2 5/8	6 7/8	23 5/8	13 7/8	7 1/2	30 5/8	3 3/8	9 3/8	2
NG 2 75-2-440	1C0127	12 1/4	2 5/8	6 7/8	23 5/8	13 7/8	7 1/2	30 5/8	3 3/8	9 3/8	2



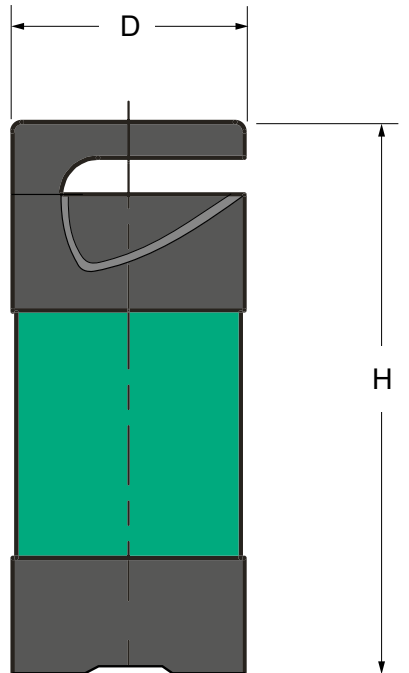
Dimensions (inches)								
Model	Ref.	D	A	B	B1	D	H	Dis
NTE 2 5-1-2-110	E0926	1 1/4"	9 3/8"	6 3/16"	3 5/16"	1 1/4"	14 3/8"	2"
NTE 3 10-1-2-110	E0928	1 1/4"	11 3/16"	8 1/2"	4 5/16"	1 1/4"	15 3/8"	3"

Dimensional NNE Series

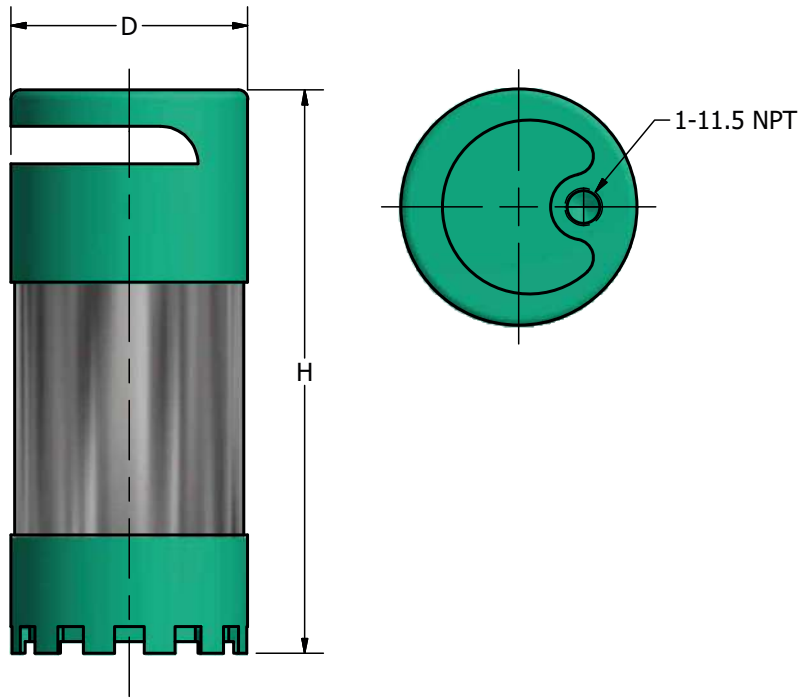
Submersible
Non clog Pumps



www.wdmpumps.com



Dimensions (inches)				
Model	Ref.	D	H	Dis
NNE 1.25 5-1-2	E0369	5 7/8"	11"	1 1/4"
NNE 1.25 10-1-2	E0740	6 1/4"	11 1/4"	1 1/4"



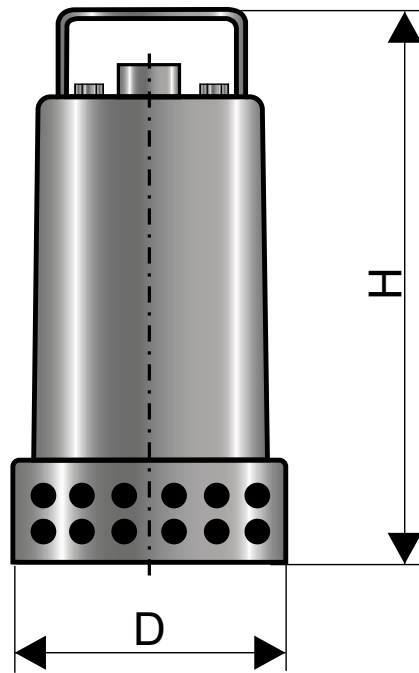
Dimensions (inches)				
Model	Ref.	D	H	Dis
NSE 1 13-1-2-110	E0890	6 1/4"	15 3/8"	1"

Dimensional NSE Series

Submersible
Non clog Pumps



www.wdmpumps.com



Dimensions (inches)				
Model	Ref.	D	H	Dis
NSE 1 5-1-2-110	E0741	5 1/2"	11"	1"

Model	Ref.	Repair Kit Seal
NE 2 4-1-4-110	1C0016	0C0016RK
NE 3 20-2-220	1C0022	0C0022RK
NE 3 20-2-440	1C0018	0C0018RK
NE 3 30-2-220	1C0033	0C0033RK
NE 3 30-2-440	1C0034	0C0034RK
NE 3 5-1-4-110	1C0030	0C0030RK
NE 3 7-1-4-220	1C0031	0C0031RK
NE 3 10-1-4-220	1C0025	0C0025RK
NE 3 10-4-220	1C0014	0C0014RK
NE 3 10-4-440	1C0013	0C0013RK
NE 3 20-4-220	1C0024	0C0024RK
NE 3 20-4-440	1C0032	0C0032RK
NE 3 30-4-220	1C0027	0C0027RK
NE 3 30-4-440	1C0028	0C0028RK
NE 4 45-4-220	1C0061	0C0061RK
NE 4 45-4-440	1C0078	0C0078RK
NE 4 75-4-220	1C0062	0C0062RK
NE 4 75-4-440	1C0067	0C0067RK
NE 4 113-4-220	1C0063	0C0063RK
NE 4 113-4-440	1C0077	0C0077RK
NE 4 150-4-220	1C0064	0C0064RK
NE 4 150-4-440	1C0069	0C0069RK
NE 6 180-4-220	1C0101	0C0101RK
NE 6 180-4-440	1C0102	0C0102RK
NE 6 240-4-220	1C0103	0C0103RK
NE 6 240-4-440	1C0104	0C0104RK
NE 6 300-4-220	1C0074	0C0074RK
NE 6 300-4-440	1C0105	0C0105RK
NE 6 360-4-220	1C0106	0C0106RK
NE 6 360-4-440	1C0107	0C0107RK

Model	Ref.	Repair Kit Seal
NE 6 480-4-220	1C0108	0C0108RK
NE 6 480-4-440	1C0110	0C0110RK
NE 6 600-4-220	1C0111	0C0111RK
NE 6 600-4-440	1C0109	0C0109RK
NE 6 750-4-440	1C0113	0C0113RK
NE 6 90-6-220	1C0095	0C0095RK
NE 6 90-6-440	1C0096	0C0096RK
NE 6 120-6-220	1C0097	0C0097RK
NE 6 120-6-440	1C0098	0C0098RK
NE 6 180-6-220	1C0072	0C0072RK
NE 6 180-6-440	1C0099	0C0099RK
NE 6 240-6-220	1C0071	0C0071RK
NE 6 240-6-440	1C0100	0C0100RK
NE 6 300-6-220	1C0070	0C0070RK
NE 6 300-6-440	1C0073	0C0073RK

Model	Ref.	Repair Kit Seal
NG 2 30-2-220	1C0122	0C0122RK
NG 2 30-2-440	1C0123	0C0123RK
NG 2 50-2-220	1C0124	0C0124RK
NG 2 50-2-440	1C0125	0C0125RK
NG 2 75-2-220	1C0126	0C0126RK
NG 2 75-2-440	1C0127	0C0127RK

Submersible Non clog Pumps

NE 2 4-1-4-110

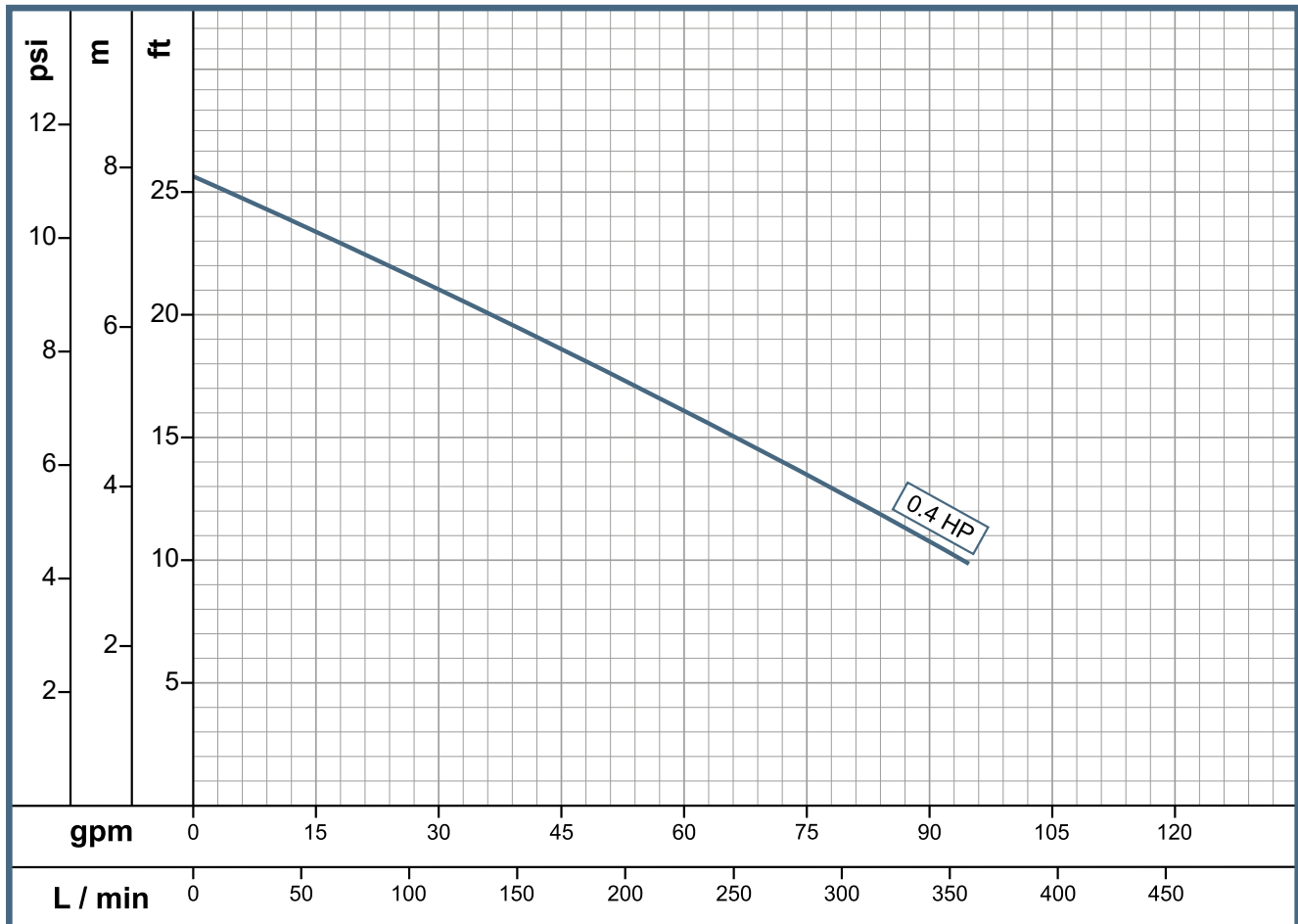


www.wdmpumps.com

Pump Features			
Pump type	Design	Impeller	Stages
Vertical Discharge	Close Coupled	2 Vane Semi Open (ISO G6.3)	1
Mechanical Seal	Fluid Temp	Cord Entry	Ø Solid Handling
1/2" T21	104°F	16.4 Ft	2"
Model	Reference	Ø Discharge	Ø Impeller
NE 2 4-1-4-110	1C0016	2" NPT	5.440"

Motor Features				
Drive		Speed (rpm)	Frequency (Hz)	
Electric		1,800 (nominal)	60	
Power (hp)	Phases	Voltage (V)	Motor Casing	Frame
0.4	1	115	ODP	NEMA 48J

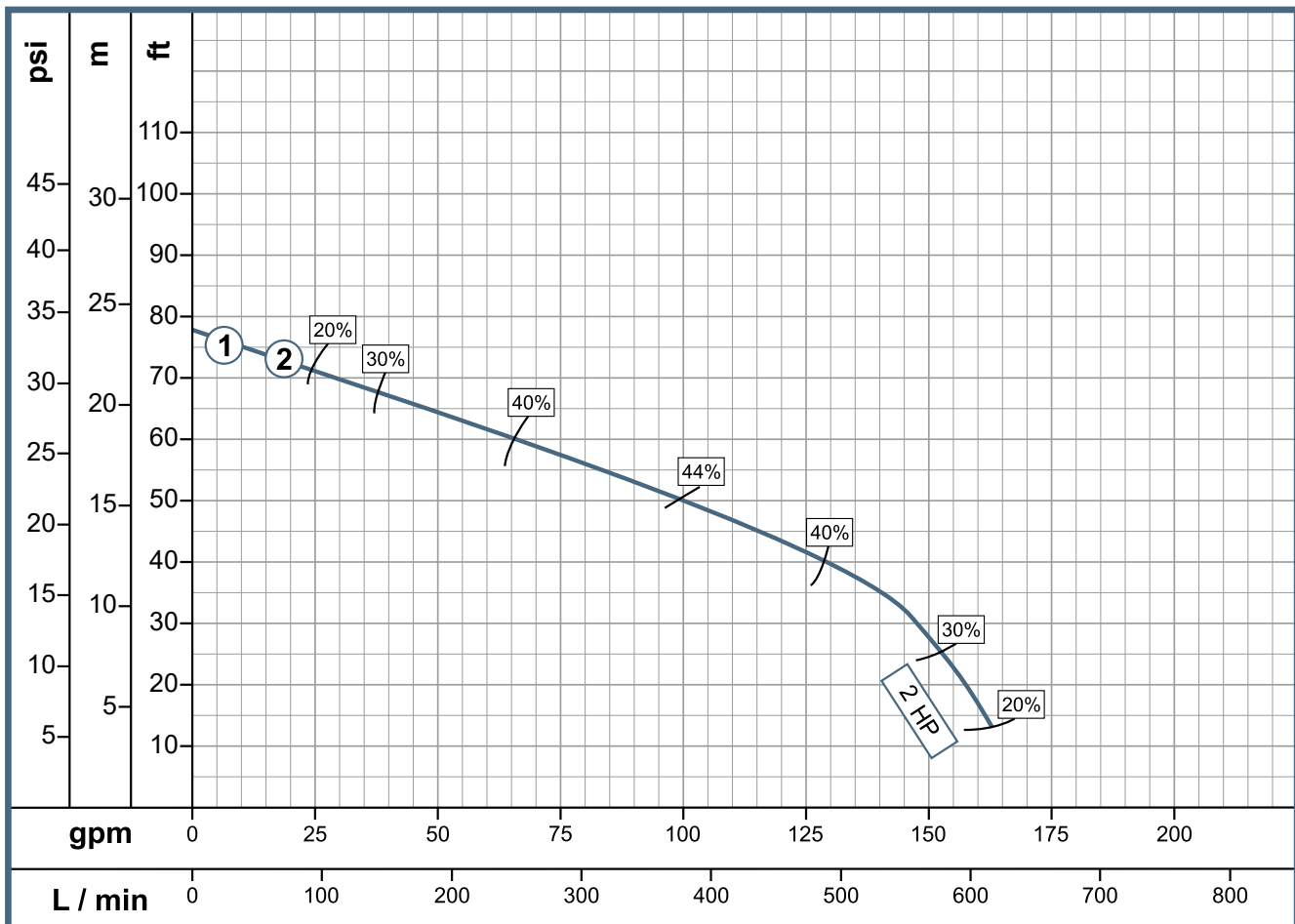
Performance Curve



Pump Features				
Pump type	Design	Impeller	Stages	
Vertical Discharge	Close Coupled	2 Vane Semi Open (ISO G6.3)	1	
Mechanical Seal	Fluid Temp	Cord Entry	Ø Solid Handling	
1" T6	104°F	16.4 ft	2"	
Model	Reference	Ø Discharge	Ø Impeller	
1	NE 3 20-2-220	1C0022	3" NPT	
2	NE 3 20-2-440	1C0018	3" NPT	

Motor Features				
Drive		Speed (rpm)	Frequency (Hz)	
Electric		3,600 (nominal)	60	
Power (hp)	Phases	Voltage (V)	Motor Casing	Frame
2	3	230	ODP	NEMA 63J
2	3	460	ODP	NEMA 63J

Performance Curve



Submersible Non clog Pumps

NE 3 30-2-220
NE 3 30-2-440

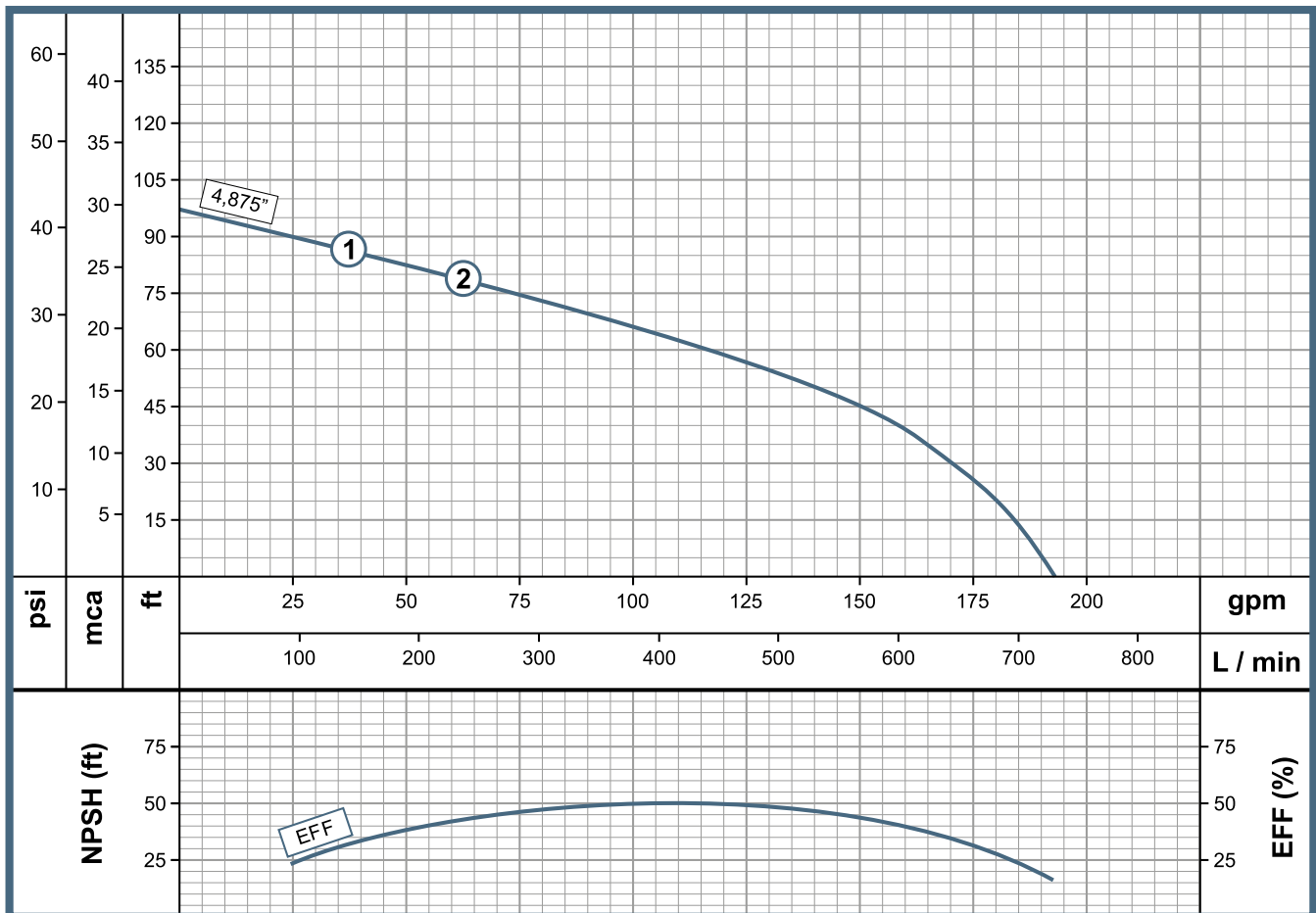


www.wdmpumps.com

Pump Features				
Pump type	Design	Impeller	Stages	
Vertical Discharge	Close Coupled	2 Vane Semi Open (ISO G6.3)	1	
Mechanical Seal	Fluid Temp	Cord Entry	Ø Solid Handling	
1" T6	104°F	16.4 ft	1 1/2"	
Model	Reference	Ø Discharge	Ø Impeller	
1	NE 3 30-2-220	1C0033	3" NPT	
2	NE 3 30-2-440	1C0034	3" NPT	

Motor Features				
Drive		Speed (rpm)	Frequency (Hz)	
Electric		3,600 (nominal)	60	
Power (hp)	Phases	Voltage (V)	Motor Casing	Frame
3	3	230	ODP	NEMA 63J
3	3	460	ODP	NEMA 63J

Performance Curve





Submersible Non clog Pumps

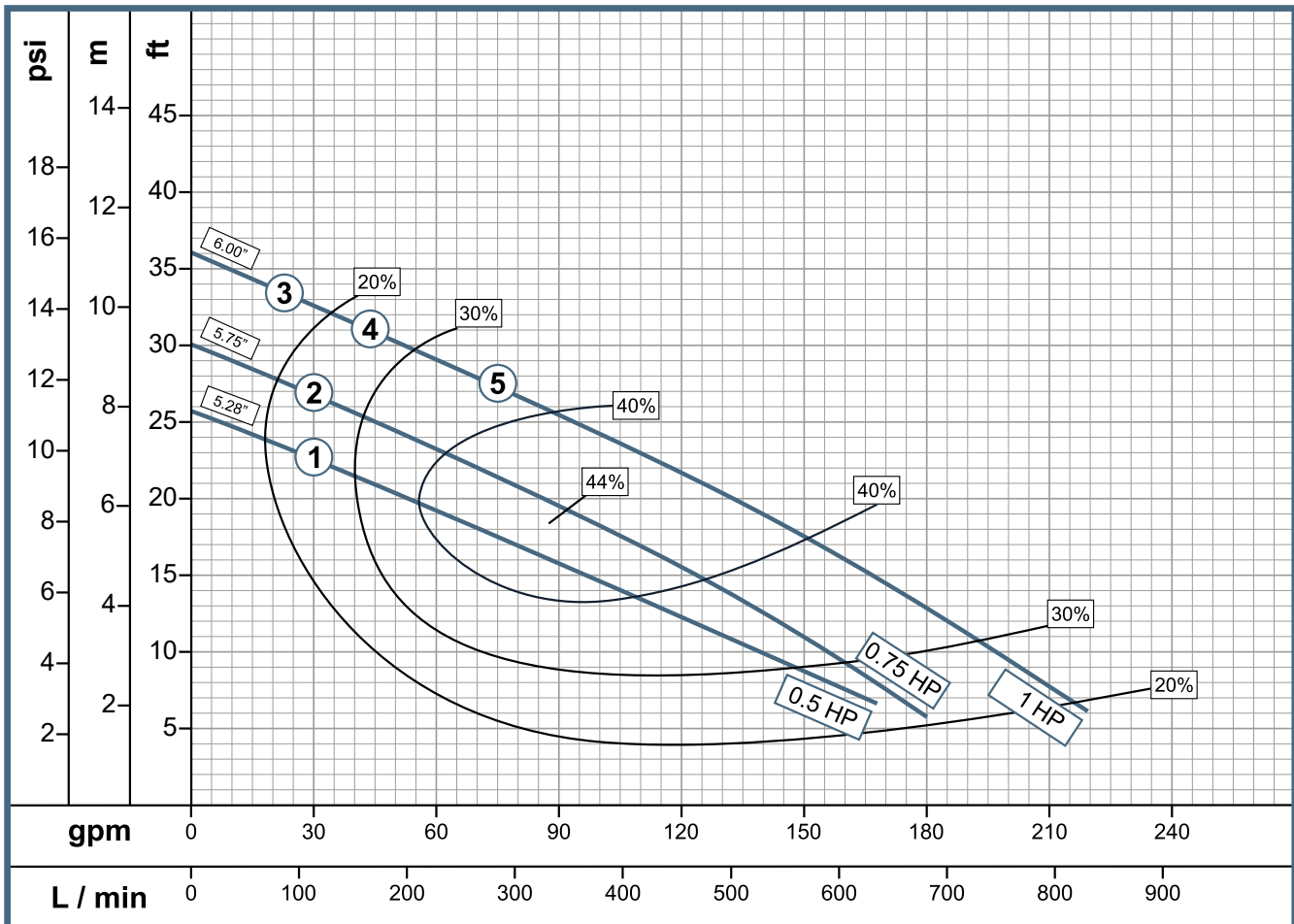
- NE 3 5-1-4-110
- NE 3 7-1-4-220
- NE 3 10-1-4-220
- NE 3 10-4-220
- NE 3 10-4-440

www.wdmpumps.com

Pump Features				
Pump type	Design	Impeller	Stages	
Vertical Discharge	Close Coupled	2 Vane Semi Open (ISO G6.3)	1	
Mechanical Seal	Fluid Temp	Cord Entry	Ø Solid Handling	
5/8" T21	104°F	16.4 Ft	2"	
Model	Reference	Ø Discharge	Ø Impeller	
1	NE 3 5-1-4-110	1C0030	3" NPT	
2	NE 3 7-1-4-220	1C0031	3" NPT	
3	NE 3 10-1-4-220	1C0025	3" NPT	
4	NE 3 10-4-220	1C0014	3" NPT	
5	NE 3 10-4-440	1C0013	3" NPT	

Motor Features				
Drive		Speed (rpm)	Frequency (Hz)	
Electric		1,800 (nominal)	60	
Power (hp)	Phases	Voltage (V)	Motor Casing	Frame
0.5	1	115	ODP	NEMA 55J
0.75	1	230	ODP	NEMA 55J
1	1	230	ODP	NEMA 55J
1	3	230	ODP	NEMA 55J
1	3	460	ODP	NEMA 55J

Performance Curve



Technical features are subject to change without notice.

Submersible Non clog Pumps

NE 3 20-4-220
NE 3 20-4-440

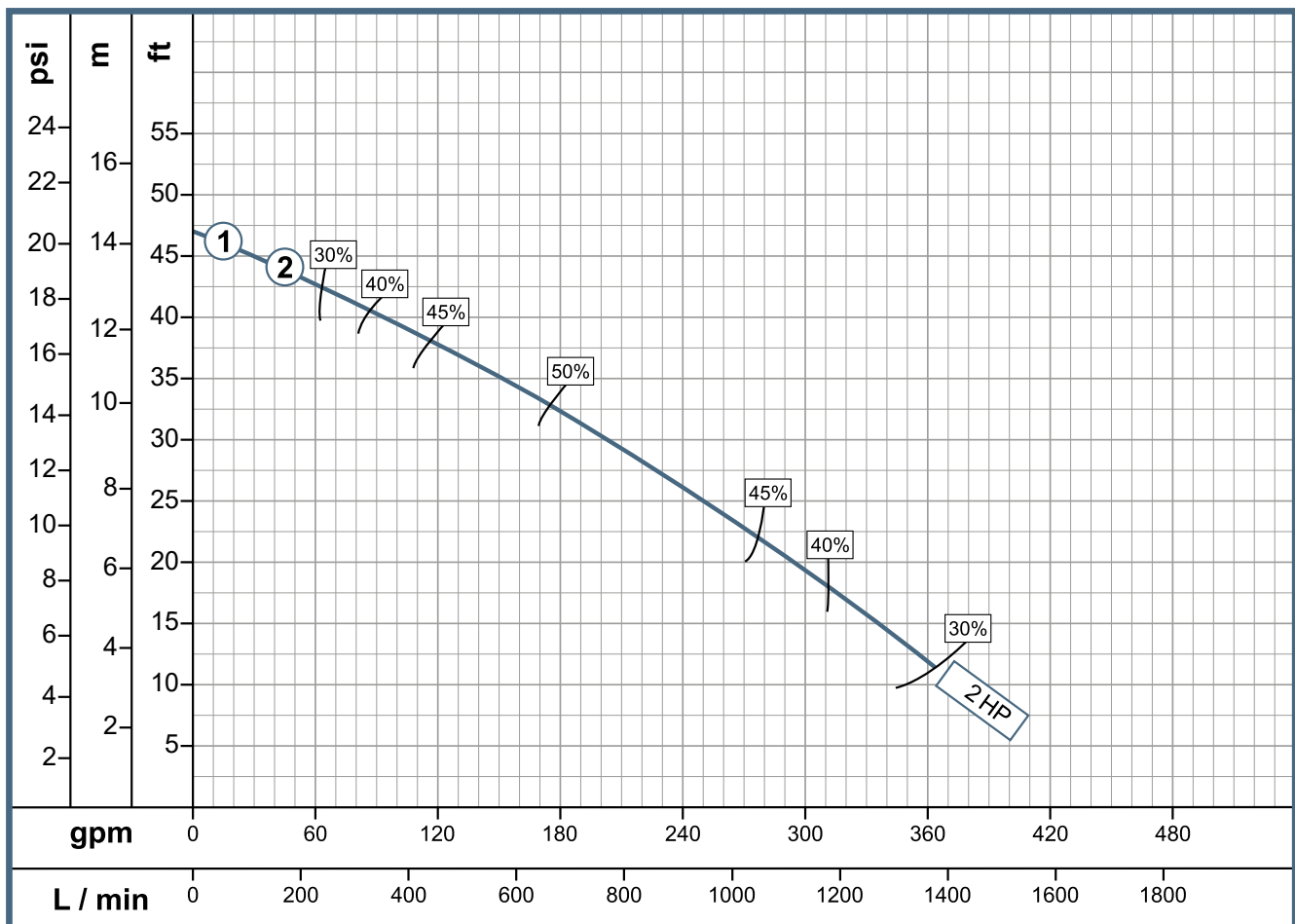


www.wdmpumps.com

Pump Features				
Pump type	Design	Impeller	Stages	
Vertical Discharge	Close Coupled	2 Vane Semi Open (ISO G6.3)	1	
Mechanical Seal	Fluid Temp	Cord Entry	Ø Solid Handling	
1" T6	104°F	16.4 Ft	2 1/2"	
Model	Reference	Ø Discharge	Ø Impeller	
1	NE 3 20-4-220	1C0024	3" NPT	
2	NE 3 20-4-440	1C0032	3" NPT	

Motor Features				
Drive		Speed (rpm)	Frequency (Hz)	
Electric		1.800 (nominal)	60	
Power (hp)	Phases	Voltage (V)	Motor Casing	Frame
2	3	230	ODP	NEMA 63J
2	3	460	ODP	NEMA 63J

Performance Curve





Submersible Non clog Pumps

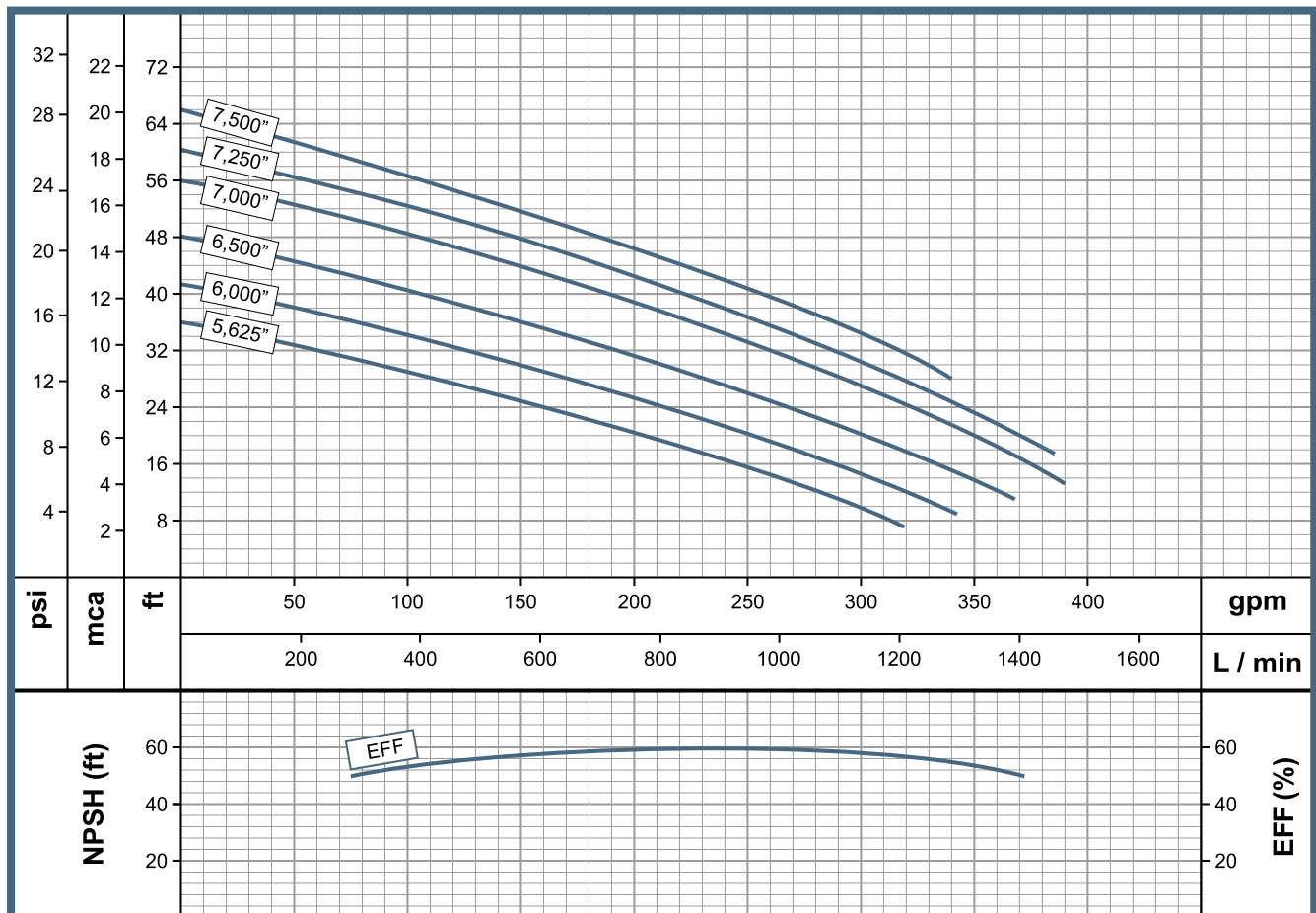
NE 3 30-4-220
NE 3 30-4-440

www.wdmpumps.com

Pump Features				
Pump type	Design	Impeller	Stages	
Vertical Discharge	Close Coupled	2 Vane Semi Open (ISO G6.3)	1	
Mechanical Seal	Fluid Temp	Cord Entry	Ø Solid Handling	
1" T6	104°F	16.4 Ft	2 1/2"	
Model	Reference	Ø Discharge	Ø Impeller	
1	NE 3 30-4-220	1C0027	3" NPT	
2	NE 3 30-4-440	1C0028	3" NPT	

Motor Features				
Drive		Speed (rpm)	Frequency (Hz)	
Electric		1.800 (nominal)	60	
Power (hp)	Phases	Voltage (V)	Motor Casing	Frame
3	3	230	ODP	NEMA 63J
3	3	460	ODP	NEMA 63J

Performance Curve



Submersible Non clog Pumps

NHE 3 10-1-2-220
NHE 3 20-2-220
NHE 3 20-2-440
NHE 3 30-2-220
NHE 3 30-2-440

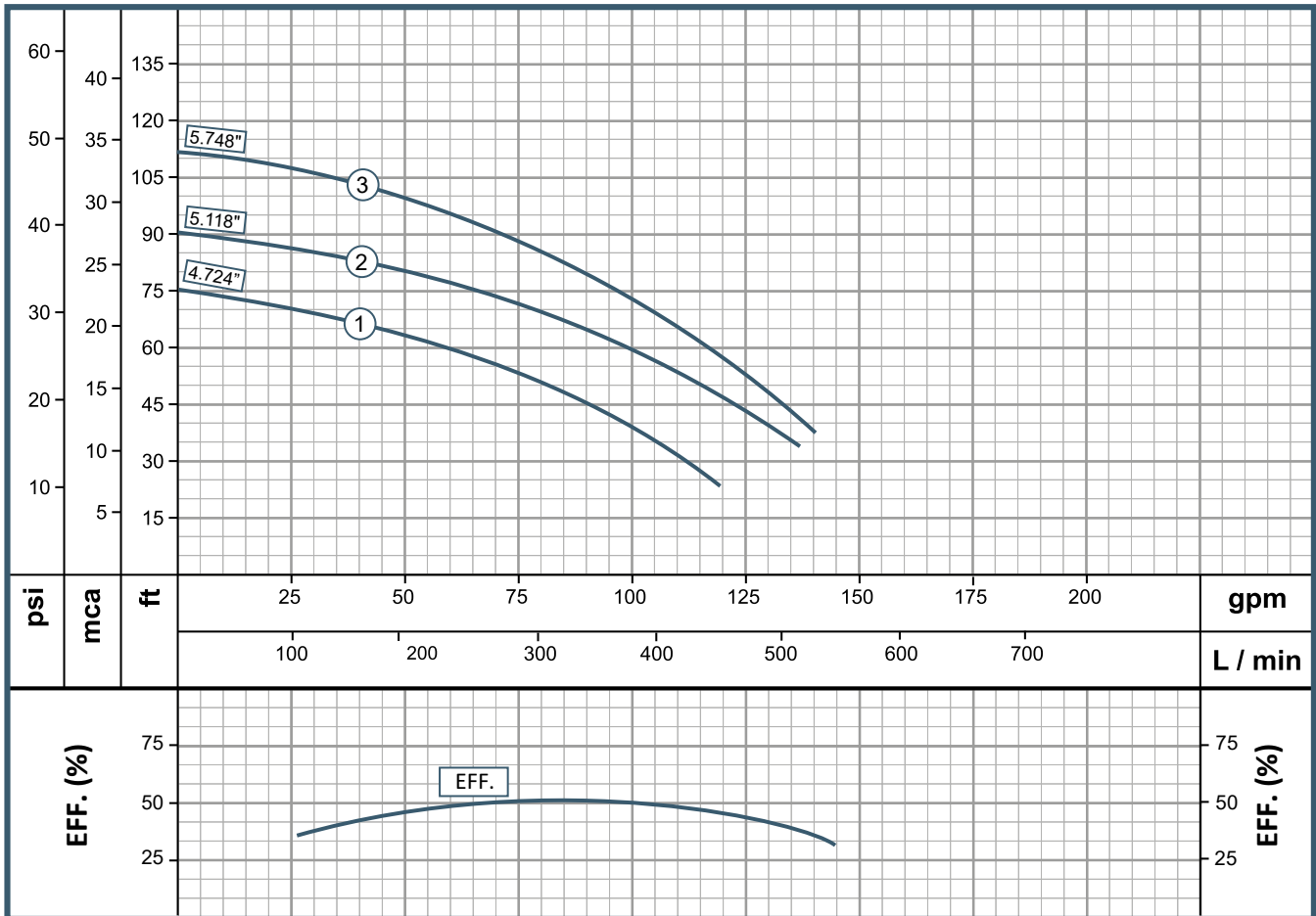


www.wdmpumps.com

Pump Features						
Pump type		Design	Stages	Impeller		
Centrifugal		Closed Coupled	1	Semi Open (ISO G6.3)		
Fluid Temp		Cord Entry		Ø Solid Handling		
104°F		16 ft		1/4 "		
Model	Reference	Ø Discharge	Weight (lb)	Head Max (ft)	Flow Max (GPM)	
1	NHE 3 10-1-2-220	1C0019	3	143	75	120
2	NHE 3 20-2-220	1C0020	3	148	89	135
2	NHE 3 20-2-440	1C0021	3	148	89	135
3	NHE 3 30-2-220	1C0011	3	154	112	140
3	NHE 3 30-2-440	1C0012	3	154	112	140

Motor Features			
Drive	Speed (rpm)	Frequency (Hz)	Inmersion Depth Max (Ft)
Electric	3,450 (Nominal)	60	NA
Power (Hp)	Phases	Voltage (V)	Motor Casing
3	3	220	ODP
3	3	220	ODP
3	3	440	ODP
3	3	220	ODP
3	3	440	ODP

Performance Curve





Submersible Non clog Pumps

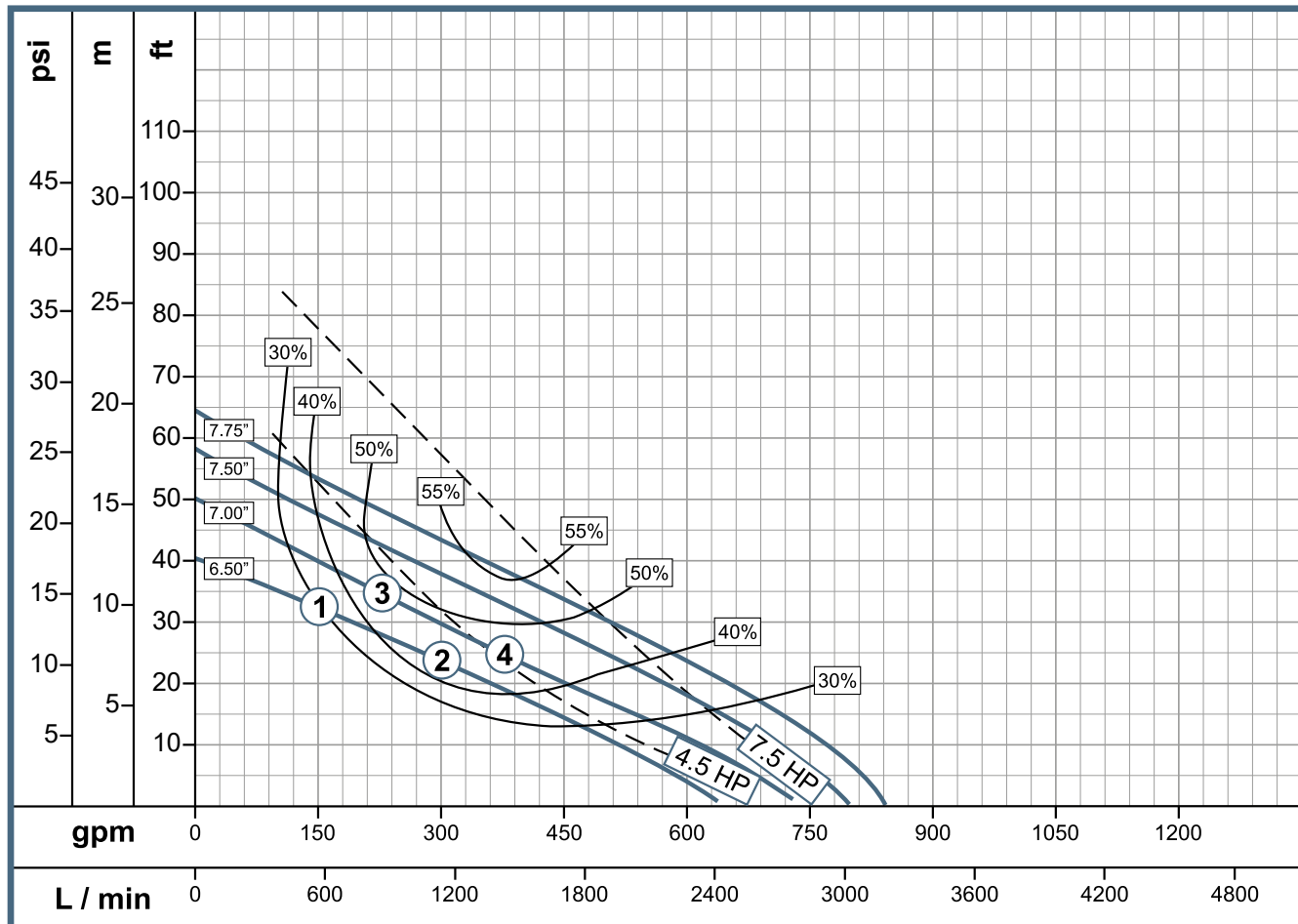
NE 4 45-4-220
NE 4 45-4-440
NE 4 75-4-220
NE 4 75-4-440

www.wdmpumps.com

Pump Features				
Pump type	Design	Impeller	Stages	
Vertical Discharge	Close Coupled	2 Vane Semi Open (ISO G6.3)	1	
Mechanical Seal	Fluid Temp	Cord Entry	Ø Solid Handling	
1 1/4" T21	104°F	26.2 Ft	3"	
Model	Reference	Ø Discharge	Ø Impeller	
1	NE 4 45-4-220	1C0061	4" F 6.500"	
2	NE 4 45-4-440	1C0078	4" F 6.500"	
3	NE 4 75-4-220	1C0062	4" F 7.000"	
4	NE 4 75-4-440	1C0067	4" F 7.000"	

Motor Features				
Drive		Speed (rpm)	Frequency (Hz)	
Electric		1,800 (nominal)	60	
Power (hp)	Phases	Voltage (V)	Motor Casing	Frame
4.5	3	230	ODP	NEMA 182J
4.5	3	460	ODP	NEMA 182J
4.5	3	230	ODP	NEMA 182J
4.5	3	460	ODP	NEMA 182J

Performance Curve



Technical features are subject to change without notice.

Submersible Non clog Pumps

NE 4 113-4-220
NE 4 113-4-440
NE 4 150-4-220
NE 4 150-4-440

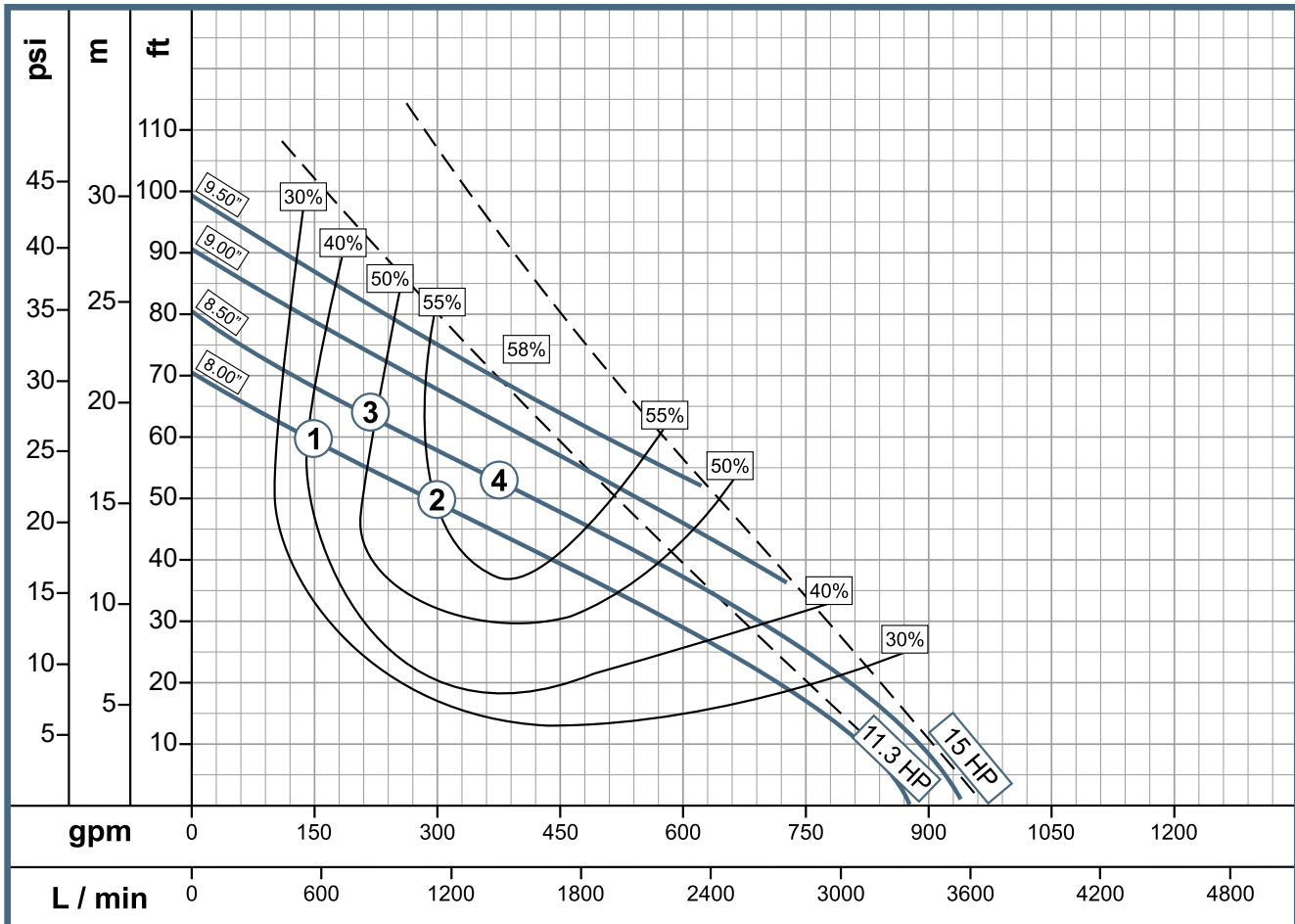


www.wdmpumps.com

Pump Features				
Pump type	Design	Impeller	Stages	
Vertical Discharge	Close Coupled	2 Vane Semi Open (ISO G6.3)	1	
Mechanical Seal	Fluid Temp	Cord Entry	Ø Solid Handling	
1 1/4" T21	104°F	26.2 Ft	4"	
Model	Reference	Ø Discharge	Ø Impeller	
1	NE 4 113-4-220	1C0063	4" F 8.000"	
2	NE 4 113-4-440	1C0077	4" F 8.000"	
3	NE 4 150-4-220	1C0064	4" F 8.500"	
4	NE 4 150-4-440	1C0069	4" F 8.500"	

Motor Features				
Drive		Speed (rpm)	Frequency (Hz)	
Electric		1.800 (nominal)	60	
Power (hp)	Phases	Voltage (V)	Motor Casing	Frame
11.3	3	230	ODP	NEMA 213J
11.3	3	460	ODP	NEMA 213J
15	3	230	ODP	NEMA 213J
15	3	460	ODP	NEMA 213J

Performance Curve





Submersible Non clog Pumps

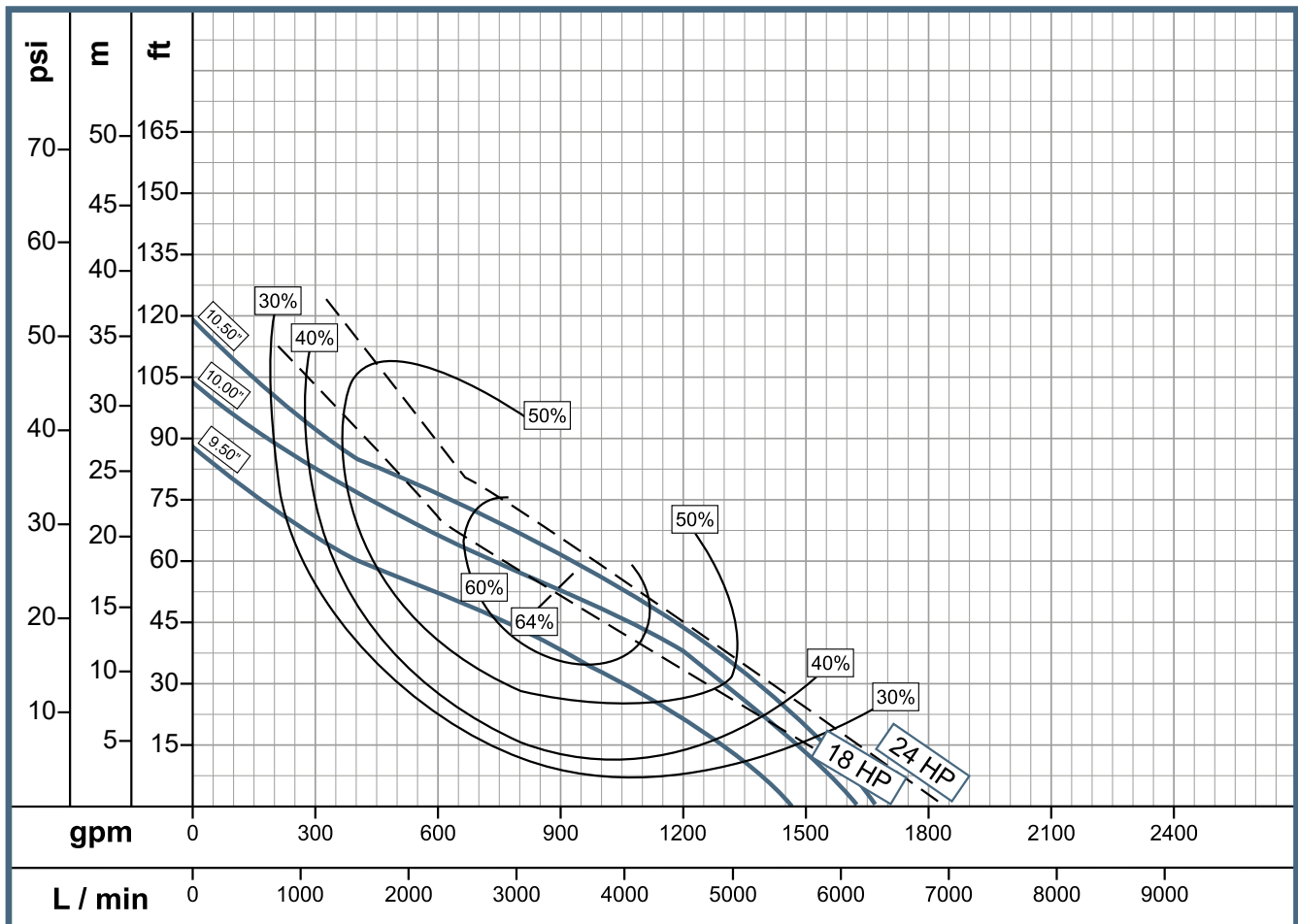
NE 6 180-4-220
 NE 6 180-4-440
 NE 6 240-4-220
 NE 6 240-4-440

www.wdmpumps.com

Pump Features				
Pump type	Design	Impeller	Stages	
Vertical Discharge	Close Coupled	1 Vane Semi Open (ISO G6.3)	1	
Mechanical Seal	Fluid Temp	Cord Entry	Ø Solid Handling	
1 7/8" T21	104°F	26.2 Ft	4"	
Model	Reference	Ø Discharge	Ø Impeller	
1	NE 6 180-4-220	1C0101	6" F 9.500"	
2	NE 6 240-4-440	1C0102	6" F 9.500"	
3	NE 6 240-4-220	1C0103	6" F 10.500"	
4	NE 6 240-4-440	1C0104	6" F 10.500"	

Motor Features				
Drive		Speed (rpm)	Frequency (Hz)	
Electric		1.800 (nominal)	60	
Power (hp)	Phases	Voltage (V)	Motor Casing	Frame
18	3	230	ODP	NEMA 256J
18	3	460	ODP	NEMA 256J
24	3	230	ODP	NEMA 256J
24	3	460	ODP	NEMA 256J

Performance Curve



Technical features are subject to change without notice.

Submersible Non clog Pumps

NE 6 300-4-220
NE 6 300-4-440
NE 6 360-4-220
NE 6 360-4-440

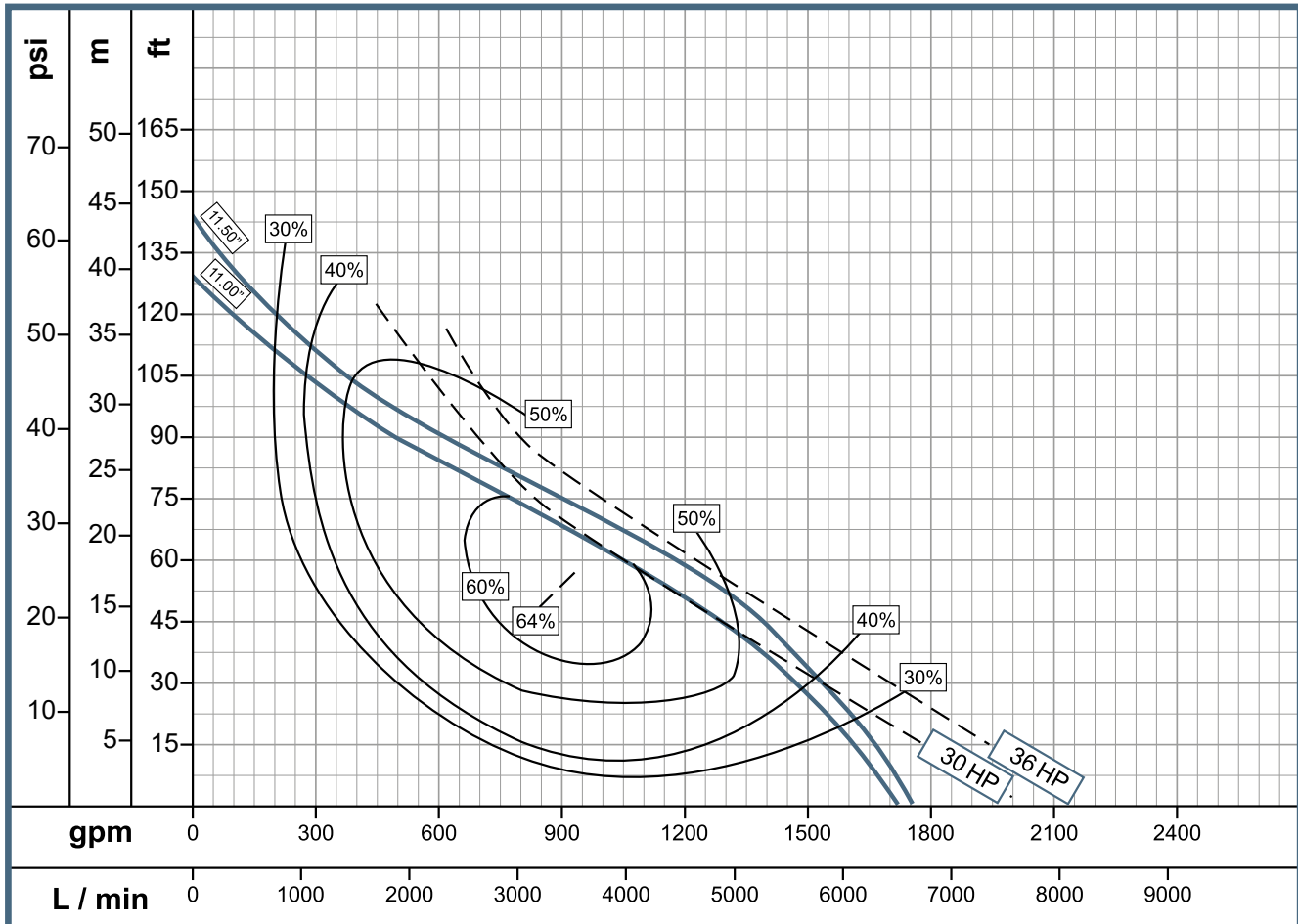


www.wdmpumps.com

Pump Features				
Pump type	Design	Impeller	Stages	
Vertical Discharge	Close Coupled	1 Vane Semi Open (ISO G6.3)	1	
Mechanical Seal	Fluid Temp	Cord Entry	Ø Solid Handling	
1 7/8" T21	104°F	26.2 Ft	4"	
Model	Reference	Ø Discharge	Ø Impeller	
1	NE 6 300-4-220	1C0074	6" F 11.000"	
2	NE 6 300-4-440	1C0105	6" F 11.000"	
3	NE 6 360-4-220	1C0106	6" F 11.500"	
4	NE 6 360-4-440	1C0107	6" F 11.500"	

Motor Features				
Drive		Speed (rpm)	Frequency (Hz)	
Electric		1.800 (nominal)	60	
Power (hp)	Phases	Voltage (V)	Motor Casing	Frame
30	3	230	ODP	NEMA 256J
30	3	460	ODP	NEMA 256J
36	3	230	ODP	NEMA 256J
36	3	460	ODP	NEMA 256J

Performance Curve





Submersible Non clog Pumps

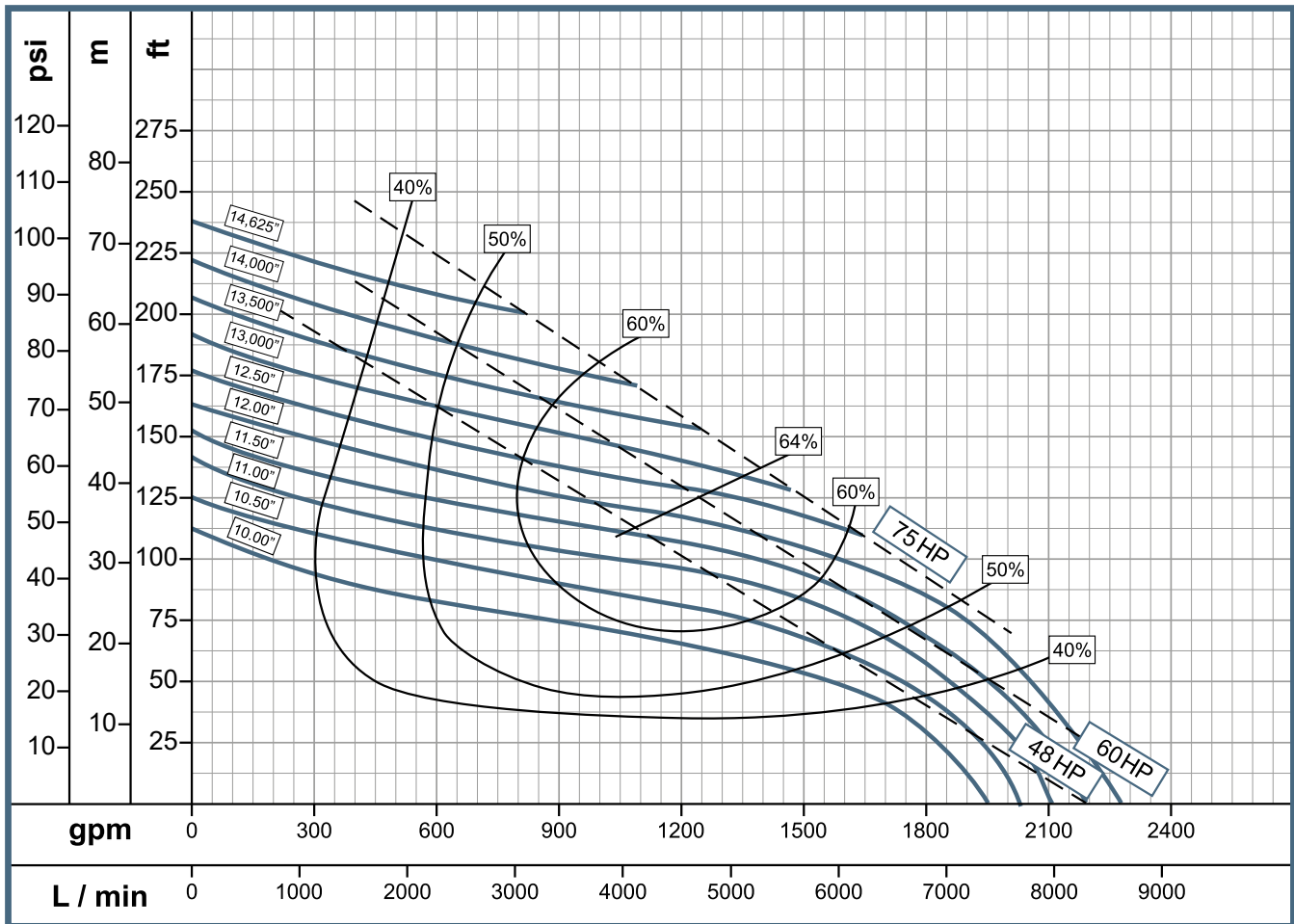
- NE 6 480-4-220
- NE 6 480-4-440
- NE 6 600-4-220
- NE 6 600-4-440
- NE 6 750-4-440

www.wdmpumps.com

Pump Features				
Pump type	Design	Impeller	Stages	
Vertical Discharge	Close Coupled	2 Vane Semi Open (ISO G6.3)	1	
Mechanical Seal	Fluid Temp	Cord Entry	Ø Solid Handling	
1 7/8" T21	104°F	26.2 Ft	4"	
Model	Reference	Ø Discharge	Ø Impeller	
1	NE 6 480-4-220	1C0108	6" F 10.000"	
2	NE 6 480-4-440	1C0110	6" F 10.000"	
3	NE 6 600-4-220	1C0111	6" F 11.000"	
4	NE 6 600-4-440	1C0109	6" F 11.000"	
5	NE 6 750-4-440	1C0113	6" F 12.000"	

Motor Features				
Drive		Speed (rpm)	Frequency (Hz)	
Electric		1.800 (nominal)	60	
Power (hp)	Phases	Voltage (V)	Motor Casing	Frame
48	3	230	ODP	NEMA 256J
48	3	460	ODP	NEMA 256J
60	3	230	ODP	NEMA 256J
60	3	460	ODP	NEMA 256J
75	3	460	ODP	NEMA 256J

Performance Curve



Technical features are subject to change without notice.

Submersible Non clog Pumps

NE 6 90-6-220
NE 6 90-6-440
NE 6 120-6-220
NE 6 120-6-440

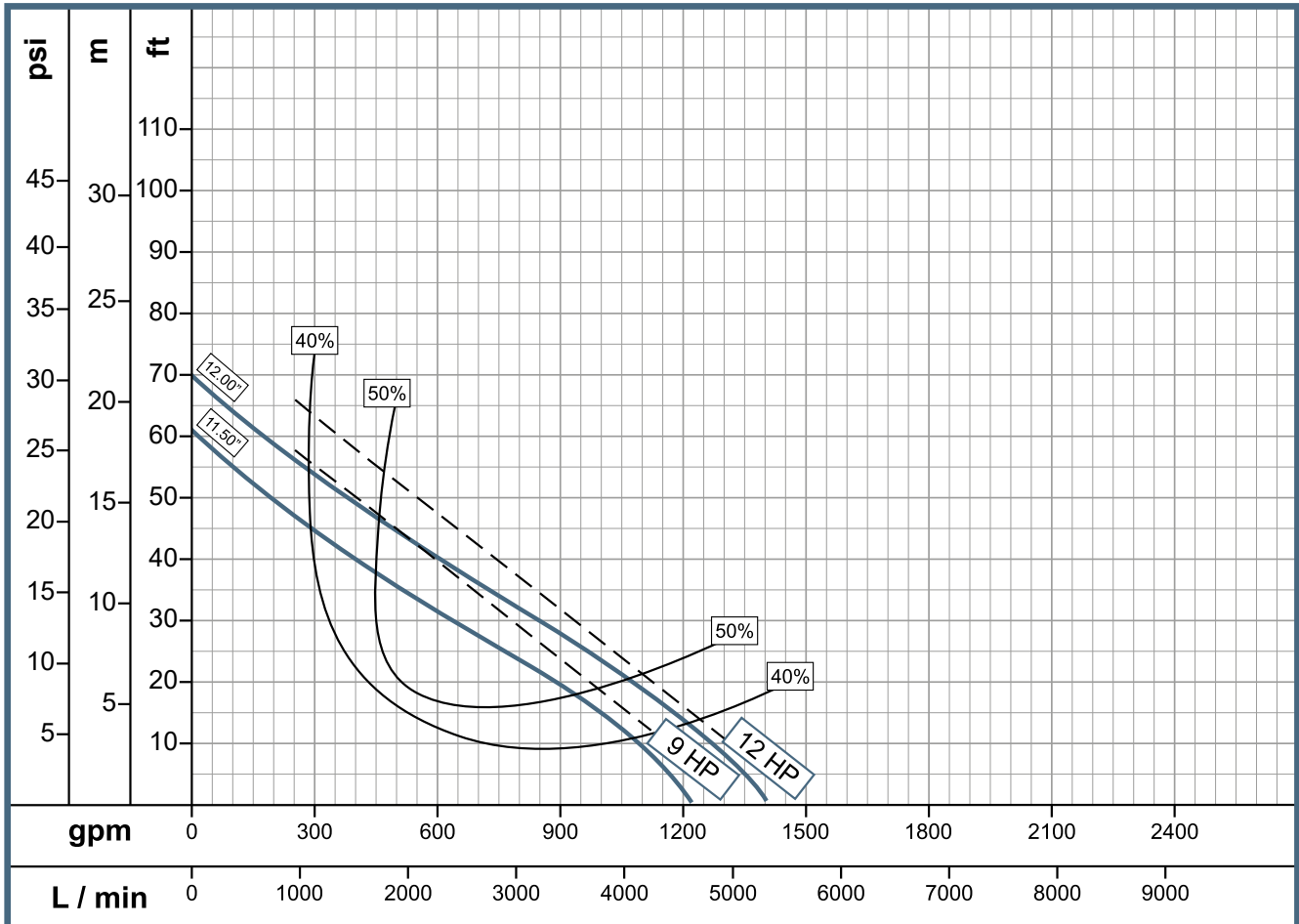


www.wdmpumps.com

Pump Features				
Pump type	Design	Impeller	Stages	
Vertical Discharge	Close Coupled	1 Vane Enclosed (ISO G6.3)	1	
Mechanical Seal	Fluid Temp	Cord Entry	Ø Solid Handling	
1 7/8" T21	104°F	26.2 Ft	4"	
Model	Reference	Ø Discharge	Ø Impeller	
1	NE 6 90-6-220	1C0095	6" F 11.500"	
2	NE 6 90-6-440	1C0095	6" F 11.500"	
3	NE 6 120-6-220	1C0097	6" F 13.000"	
4	NE 6 120-6-440	1C0098	6" F 13.000"	

Motor Features				
Drive		Speed (rpm)	Frequency (Hz)	
Electric		1.200 (nominal)	60	
Power (hp)	Phases	Voltage (V)	Motor Casing	Frame
9	3	230	ODP	NEMA 215J
9	3	460	ODP	NEMA 215J
12	3	230	ODP	NEMA 215J
12	3	460	ODP	NEMA 215J

Performance Curve





Submersible Non clog Pumps

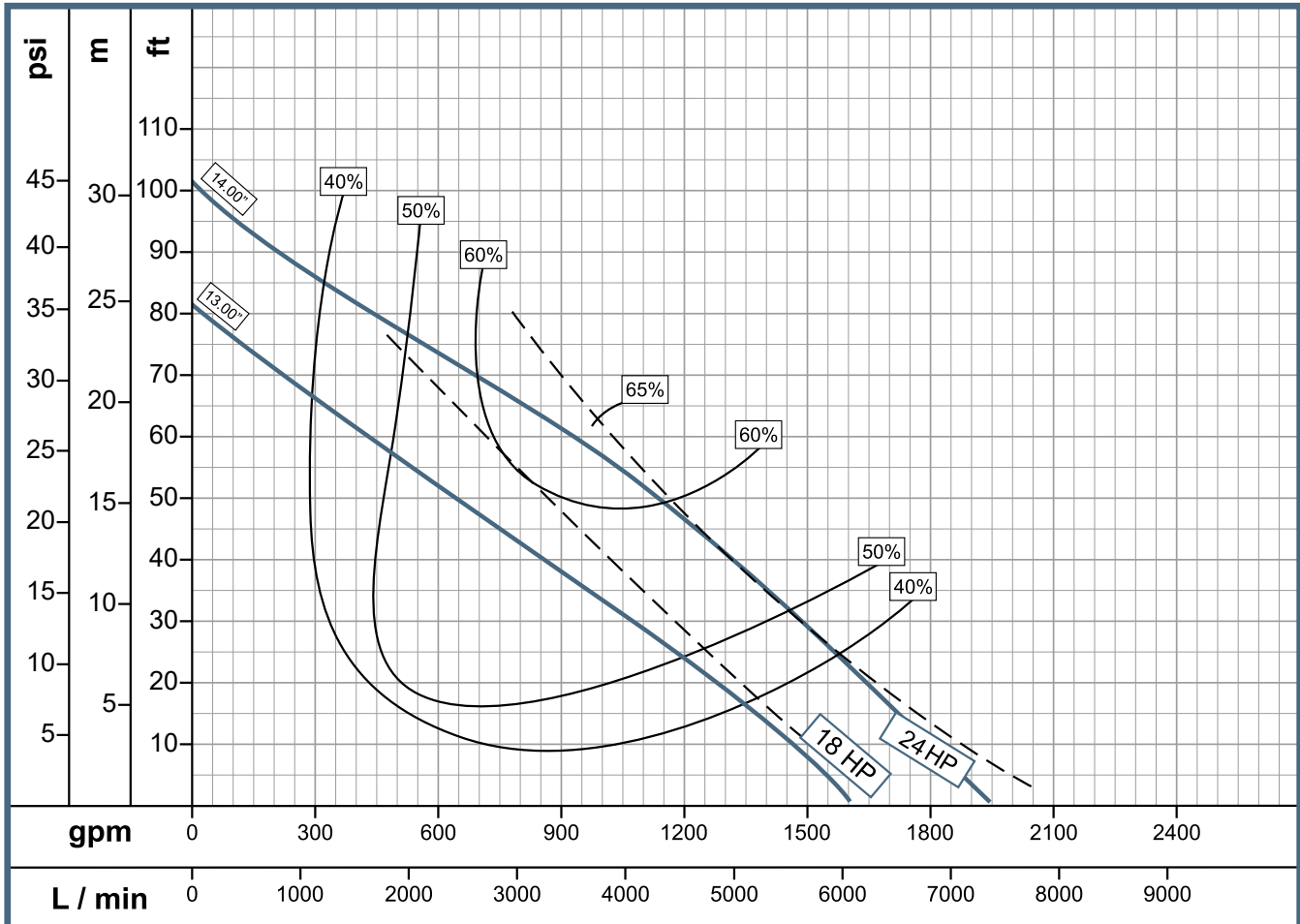
NE 6 180-6-220
 NE 6 180-6-440
 NE 6 240-6-220
 NE 6 240-6-440

www.wdmpumps.com

Pump Features				
Pump type	Design	Impeller	Stages	
Vertical Discharge	Close Coupled	1 Vane Enclosed (ISO G6.3)	1	
Mechanical Seal	Fluid Temp	Cord Entry	Ø Solid Handling	
1 7/8" T21	104°F	26.2 Ft	4"	
Model	Reference	Ø Discharge	Ø Impeller	
1	NE 6 180-6-220	1C0072	6" F 13.000"	
2	NE 6 180-6-440	1C0099	6" F 13.000"	
3	NE 6 240-6-220	1C0071	6" F 14.000"	
4	NE 6 240-6-440	1C0100	6" F 14.000"	

Motor Features				
Drive		Speed (rpm)	Frequency (Hz)	
Electric		1,200 (nominal)	60	
Power (hp)	Phases	Voltage (V)	Motor Casing	Frame
18	3	230	ODP	NEMA 254J
18	3	460	ODP	NEMA 254J
24	3	230	ODP	NEMA 254J
24	3	460	ODP	NEMA 254J

Performance Curve



Submersible Non clog Pumps

NE 6 300-6-220
NE 6 300-6-440

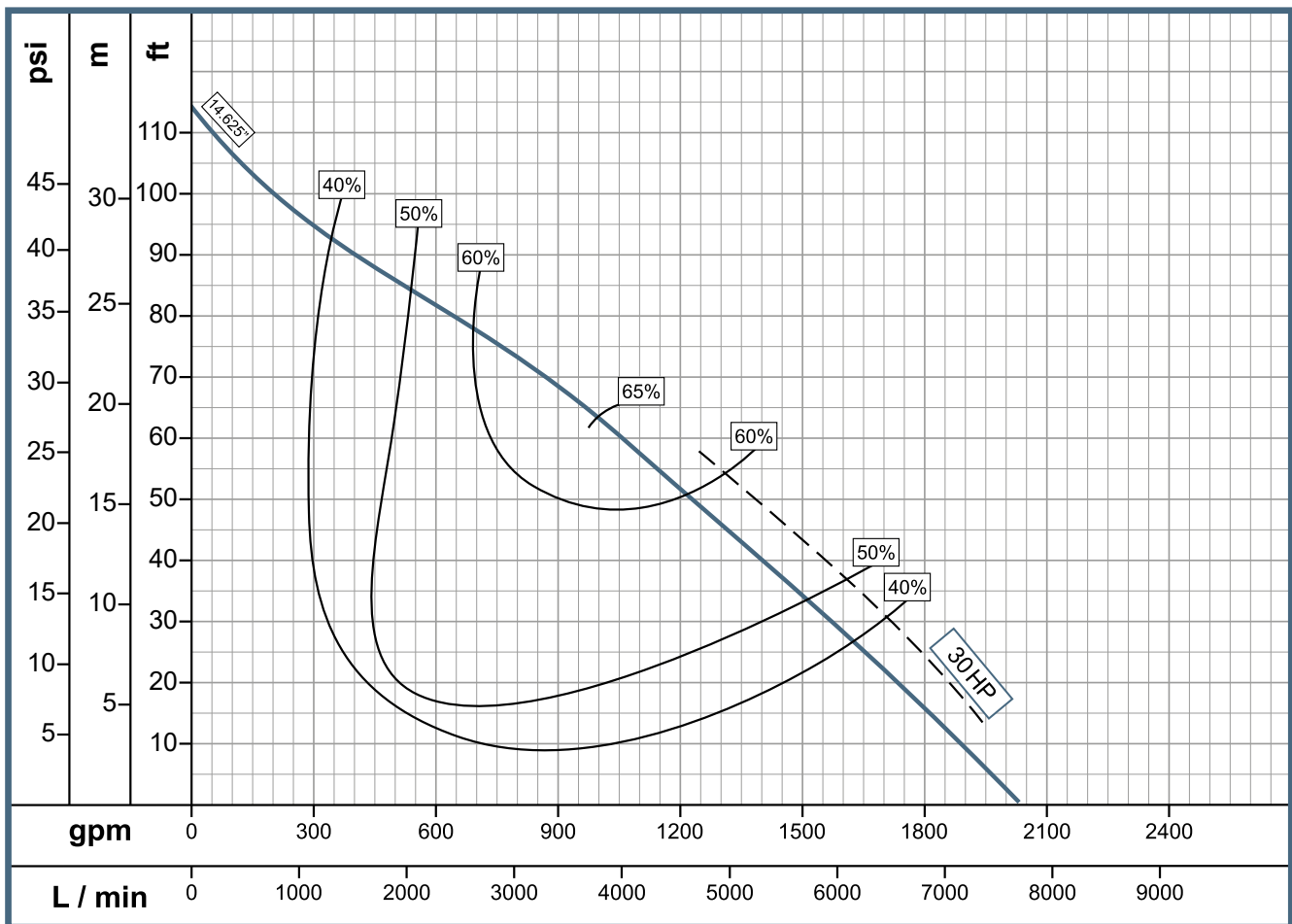


www.wdmpumps.com

Pump Features				
Pump type	Design	Impeller	Stages	
Vertical Discharge	Close Coupled	2 Vane Semi Open (ISO G6.3)	1	
Mechanical Seal	Fluid Temp	Cord Entry	Ø Solid Handling	
1 7/8" T21 (x2)	104°F	16.4 Ft	4"	
Model	Reference	Ø Discharge	Ø Impeller	
1	NE 6 300-6-220	1C0070	6" F 14.625"	
2	NE 6 300-6-440	1C0073	6" F 14.625"	

Motor Features				
Drive		Speed (rpm)	Frequency (Hz)	
Electric		1,200 (nominal)	60	
Power (hp)	Phases	Voltage (V)	Motor Casing	Frame
30	3	230	ODP	NEMA 286J
30	3	460	ODP	NEMA 286J

Performance Curve





Submersible Non clog Pumps

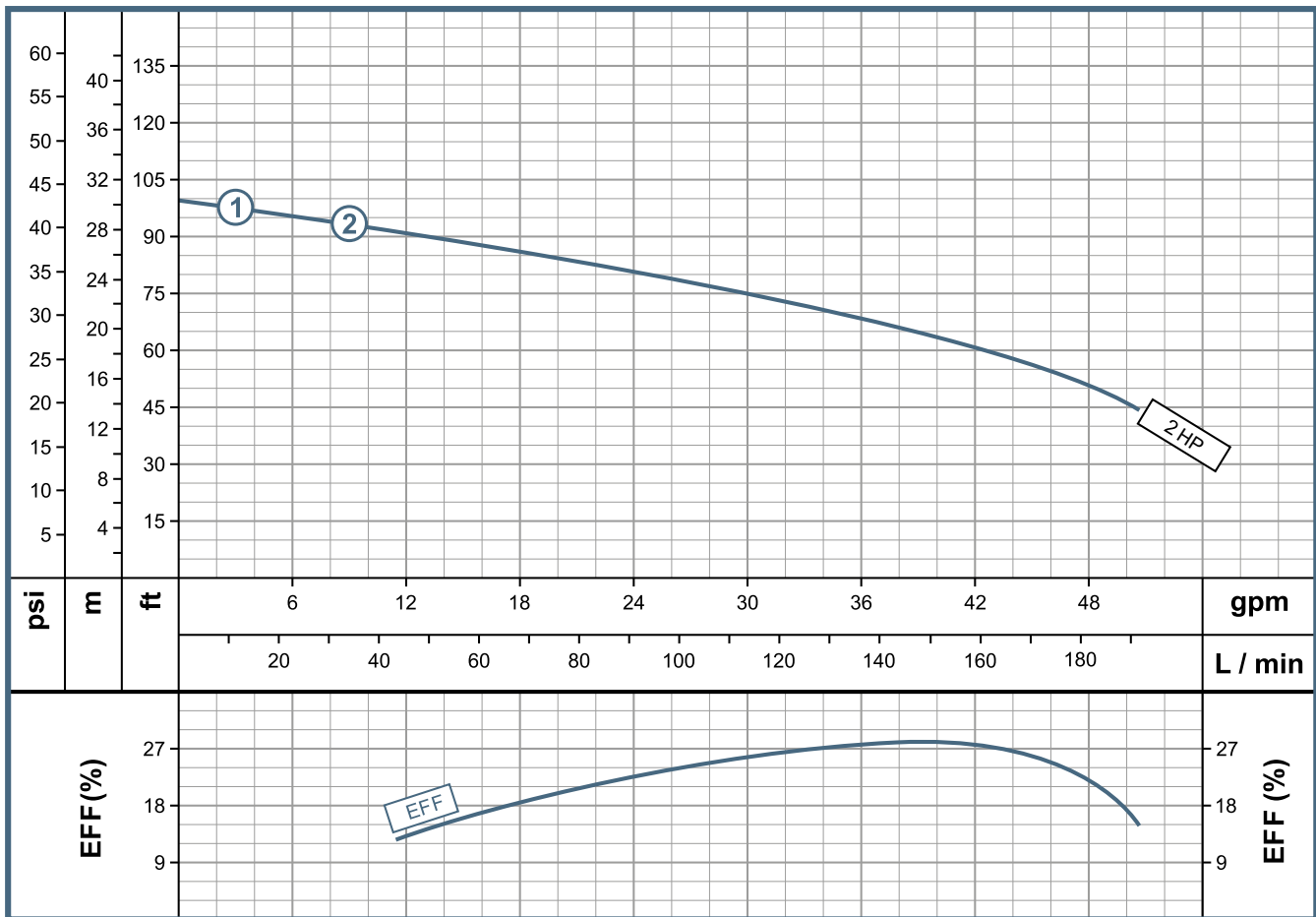
NGE 1.25 20-2-220
NGE 1.25 20-2-220

www.wdmpumps.com

Pump Features				
Pump type	Design	Impeller	Stages	
Vertical Discharge	Close Coupled	Vortex	1	
Mechanical Seal	Fluid Temp	Cord Entry	Ø Solid Handling	
7/8" T1 / 3/4" T1	120°F	16.4 Ft	NA	
Model	Reference	Ø Discharge	Ø Impeller	
1 NGE 1.25 20-2-220	1C0120	1 1/4" NPT	5.130"	
2 NGE 1.25 20-2-220	1C0121	1 1/4" NPT	5.130"	

Motor Features				
Drive		Speed (rpm)	Frequency (Hz)	
Electric		3,600 (nominal)	60	
Power (hp)	Phases	Voltage (V)	Motor Casing	Frame
2	3	230	ODP	48Y
2	3	460	ODP	48Y

Performance Curve



Submersible Non clog Pumps

- NG 2 30-2-220
- NG 2 30-2-440
- NG 2 50-2-220
- NG 2 50-2-440
- NG 2 75-2-220
- NG 2 75-2-440

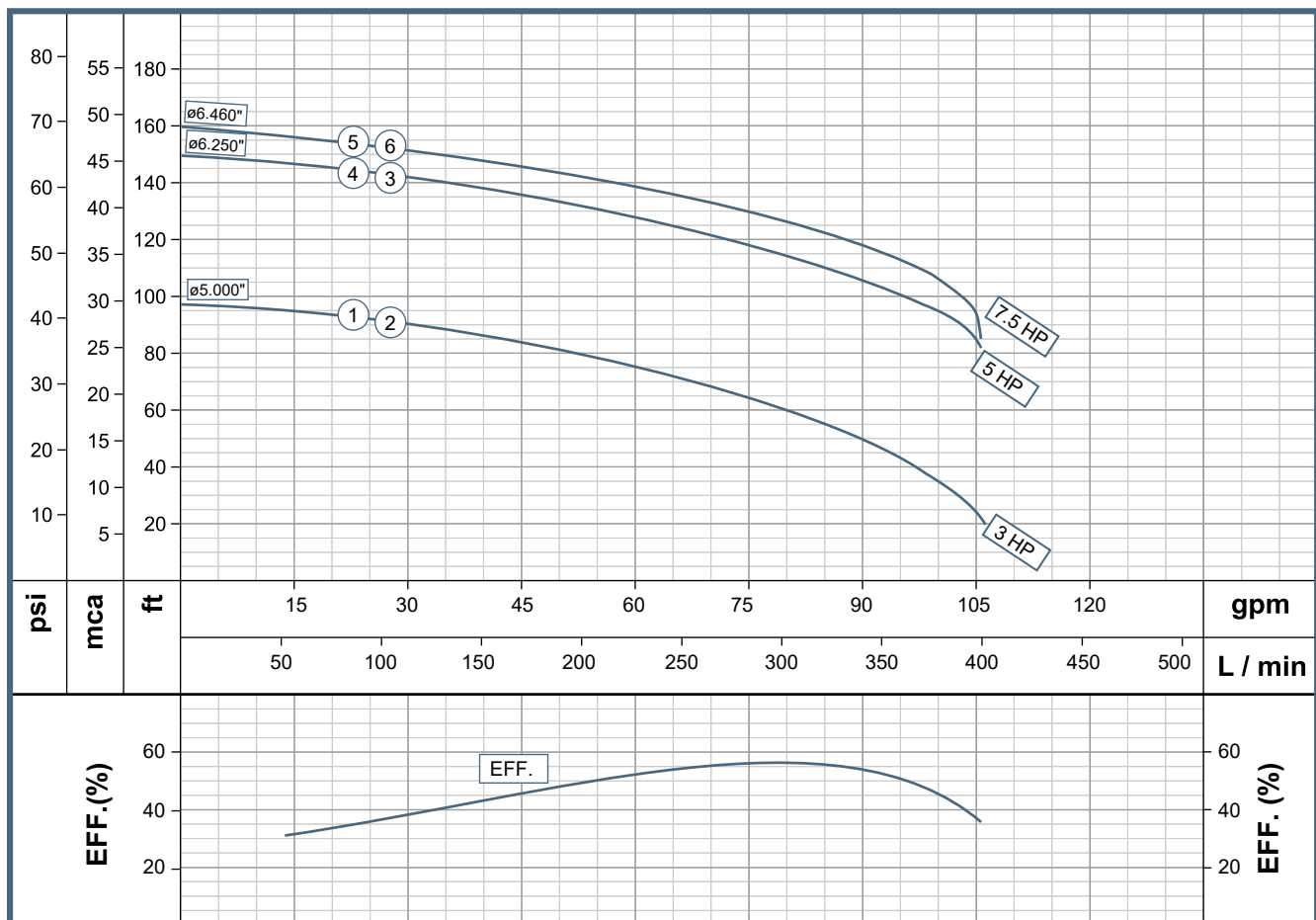


www.wdmpumps.com

Pump Features				
Pump type	Design	Impeller	Stages	
Vertical Discharge	Close Coupled	Vortex	1	
Mechanical Seal	Fluid Temp	Cord Entry	Ø Solid Handling	
1 1/4 T01 - 1 1/8 T01	120°F	26 ft	NA	
Model	Reference	Ø Discharge	Ø Impeller	
1	NG 2 30-2-220	1C0122	2"	5"
2	NG 2 30-2-440	1C0123	2"	5"
3	NG 2 50-2-220	1C0124	2"	6.250"
4	NG 2 50-2-440	1C0125	2"	6.250"
5	NG 2 75-2-220	1C0126	2"	6.460"
6	NG 2 75-2-440	1C0127	2"	6.460"

Motor Features				
Drive		Speed (rpm)	Frequency (Hz)	
Electric		3,600 (nominal)	60	
Power (hp)	Phases	Voltage (V)	Motor Casing	Frame
3	3	230	ODP	56Z
3	3	460	ODP	56Z
5	3	230	ODP	56Z
5	3	460	ODP	56Z
7.5	3	230	ODP	56Z
7.5	3	460	ODP	56Z

Performance Curve





Submersible Non clog Pumps

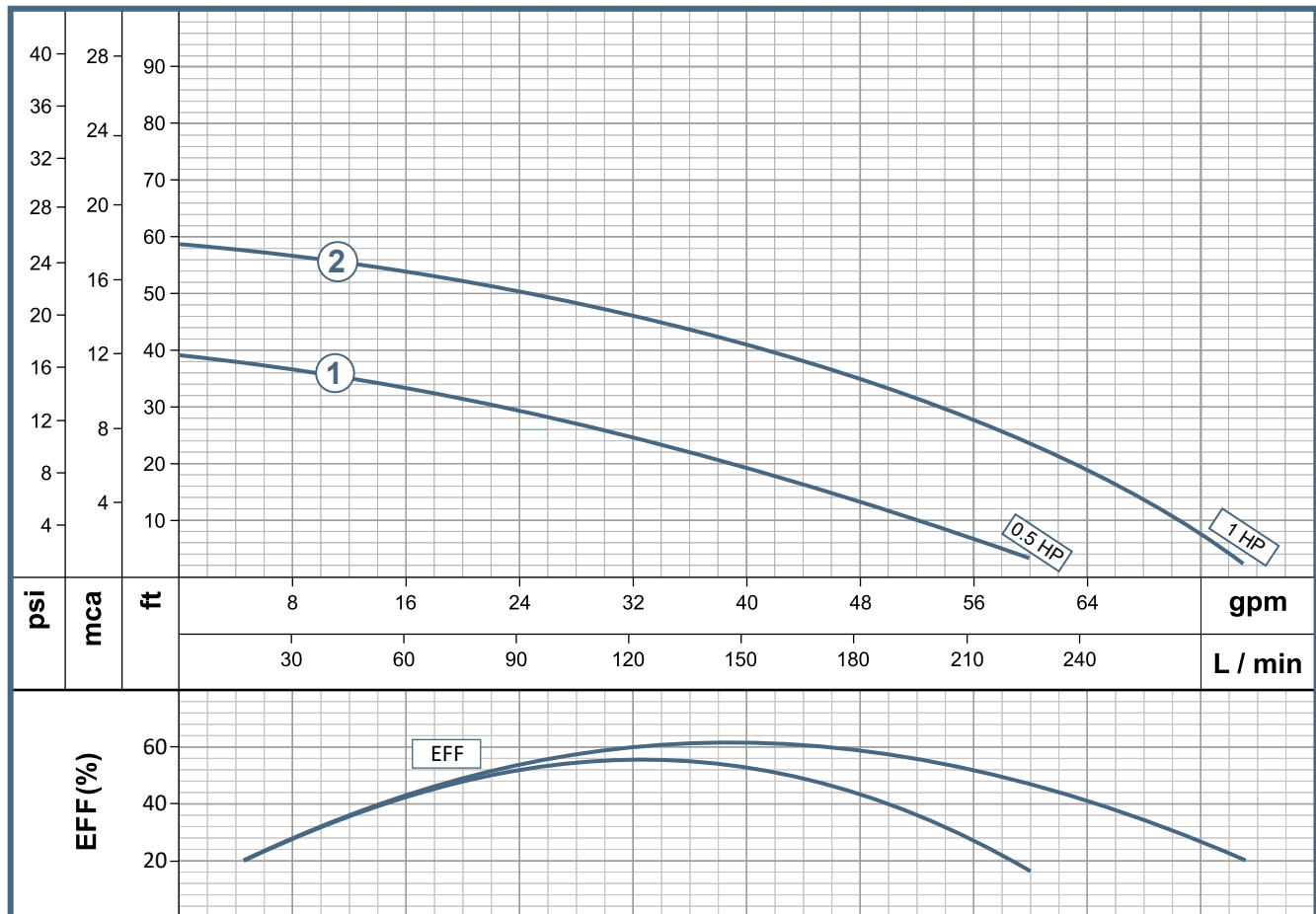
NTE 2 5 1 2 110
NTE 3 10 1 2 110

www.wdmpumps.com

Pump Features						
Pump type		Design	Stages	Impeller		
Centrifugal		Close Coupled	1	Closed (ISO G6.3)		
Fluid Temp		Cord Entry		Ø Solid Handling		
104°F		26 ft		1/4 "		
Model	Reference	Ø Discharge	Weight (lb)	Head Max (ft)	Flow Max (GPM)	
1	NTE 2 5 1 2 110	2" NPT	32	39	47	
2	NTE 3 10 1 2 110	3" NPT	41	59	65	

Motor Features			
Drive	Speed (rpm)	Frequency (Hz)	Inmersion Depth Max (Ft)
Electric	3.600 (Nominal)	60	32
Power (Hp)	Phases		Voltage (V)
0.5	1		115
1	1		115

Performance Curve



Submersible Non clog Pumps

NNE 1.25 5-1-2-110
NNE 1.25 10-1-2-110

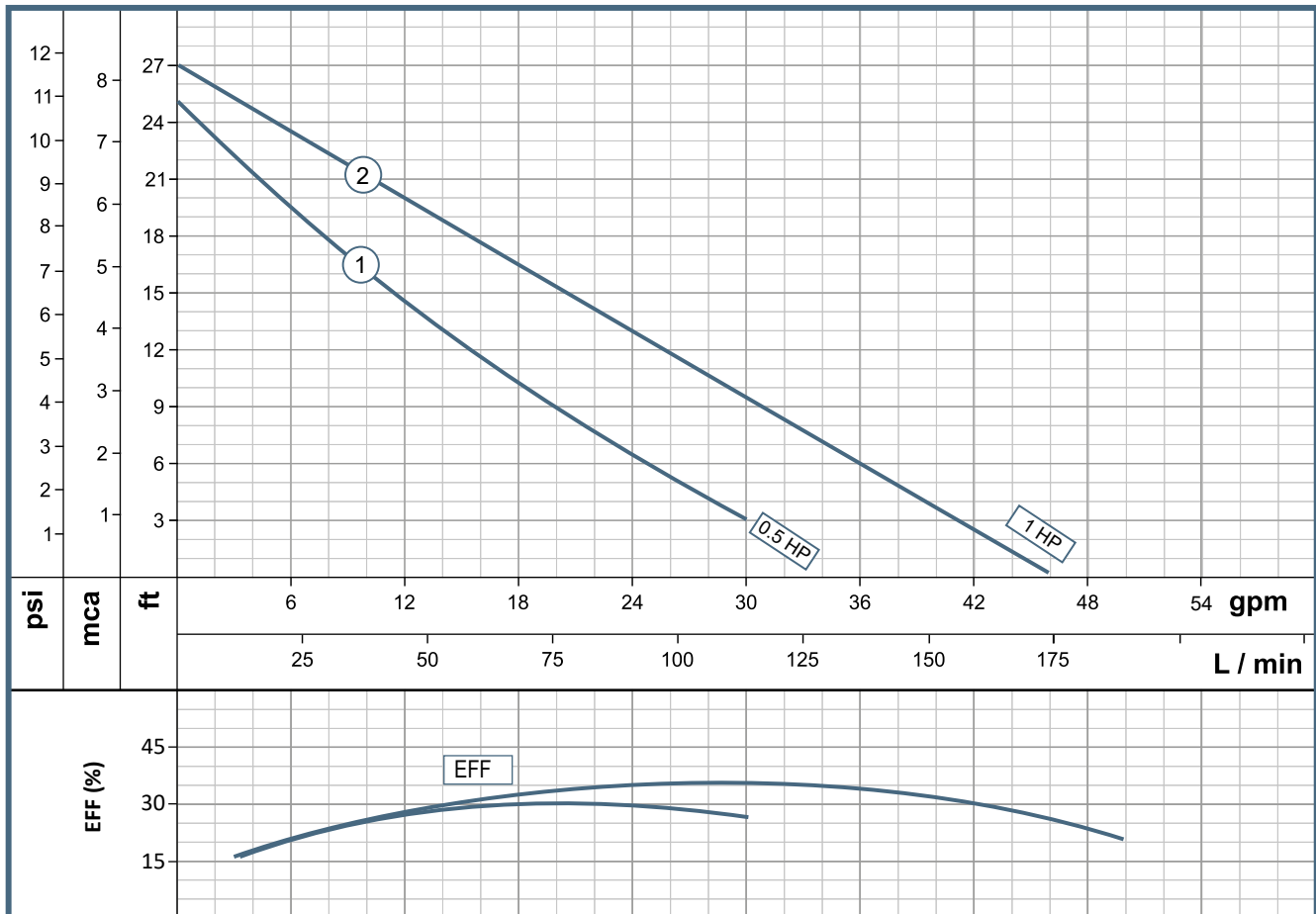


www.wdmpumps.com

Pump Features						
Pump type		Design	Stages	Impeller		
Centrifugal		Closed Coupled	1	Open		
Fluid Temp		Cord Entry		Ø Solid Handling		
95°F		32 ft		1/4 "		
Model	Reference	Ø Discharge	Weight (lb)	Head Max (ft)	Flow Max (GPM)	
1	NNE 1.25 5-1-2-110	E0369	1 1/4" NPT	10.6	26	30
2	NNE 1.25 10-1-2-110	E0740	1 1/4" NPT	12.6	29	45

Motor Features			
Drive	Speed (rpm)	Frequency (Hz)	Inmersion Depth Max (Ft)
Electric	3.500 (Nominal)	60	32
Power (Hp)	Phases	Voltage (V)	Motor Casing
0.5	1	115	ODP
1	1	115	ODP

Performance Curve





Submersible Non clog Pumps

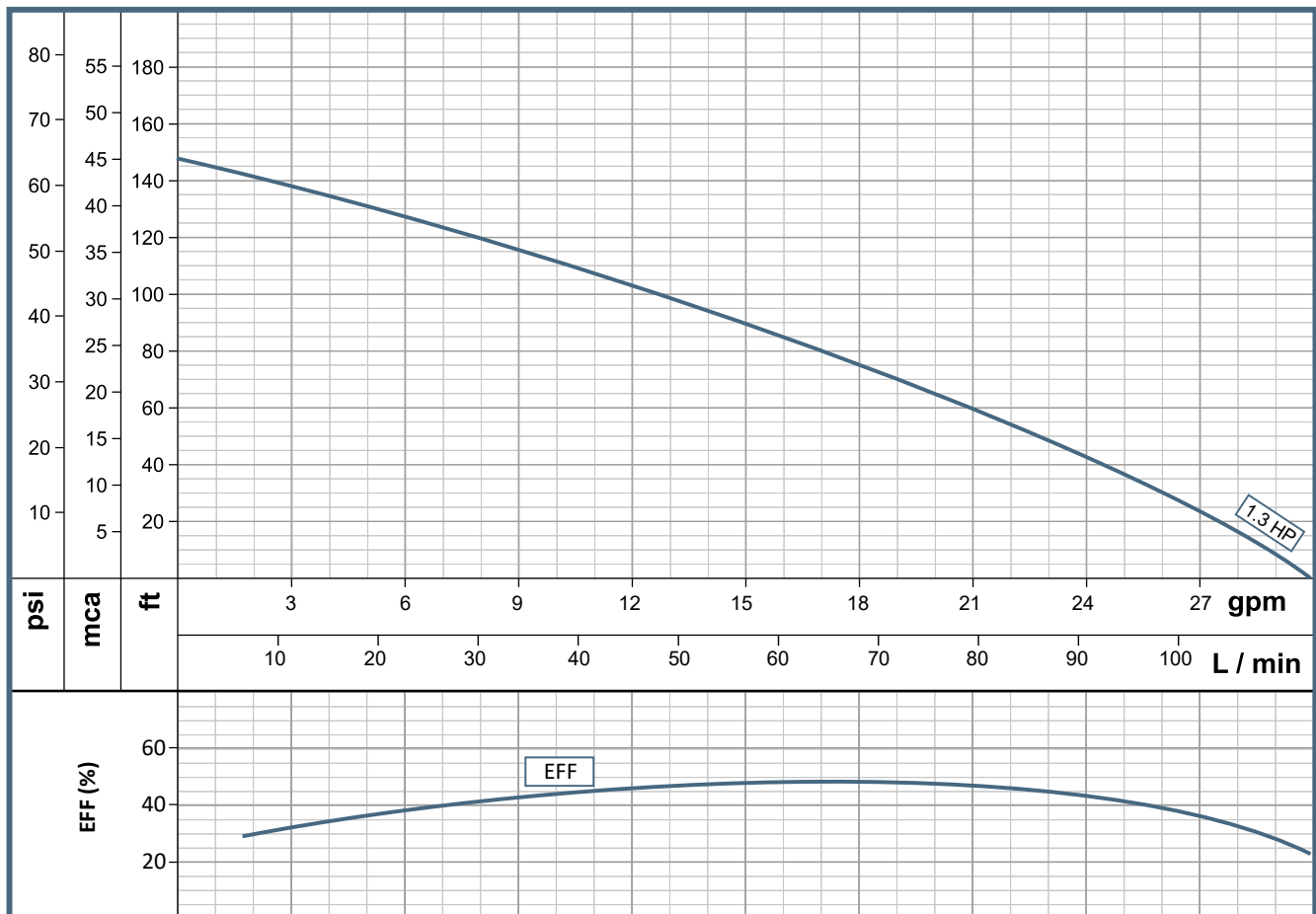
NSE 1 13-1-2-110

www.wdmpumps.com

Pump Features					
Pump type	Design	Stages	Impeller		
Centrifugal	Closed Coupled	4	Closed (ISO G6.3)		
Fluid Temp		Cord Entry	Ø Solid Handling		
95°F		32 ft	1/64 "		
Model	Reference	Ø Discharge	Weight (lb)	Head Max (ft)	Flow Max (GPM)
NSE 1 13-1-2-110	E0890	1" NPT	19	137	25

Motor Features			
Drive	Speed (rpm)	Frequency (Hz)	Inmersion Depth Max (Ft)
Electric	3.600 (Nominal)	60	21
Power (Hp)	Phases	Voltage (V)	Motor Casing
1.3	1	115	ODP

Performance Curve



Submersible Non clog Pumps

NSE 1 5-1-2-110

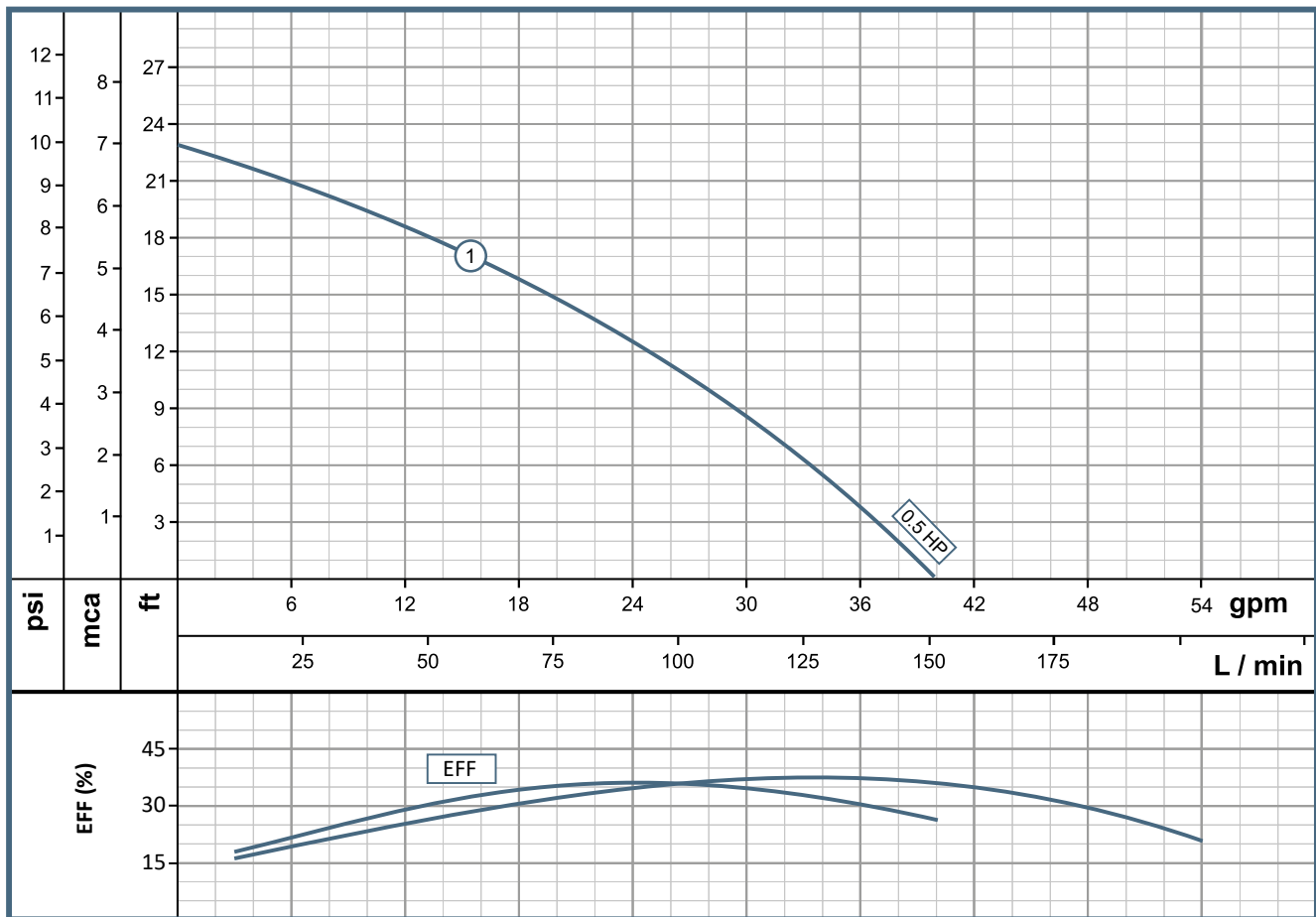


www.wdmpumps.com

Pump Features					
Pump type	Design	Stages	Impeller		
Centrifugal	Closed Coupled	4	Closed (ISO G6.3)		
Fluid Temp		Cord Entry	Ø Solid Handling		
95°F		32 ft	1/64 "		
Model	Reference	Ø Discharge	Weight (lb)	Head Max (ft)	Flow Max (GPM)
NSE 1 5-1-2-110	E0741	1" NPT	12	20	40

Motor Features			
Drive	Speed (rpm)	Frequency (Hz)	Inmersion Depth Max (Ft)
Electric	3.600 (Nominal)	60	21
Power (Hp)	Phases	Voltage (V)	Motor Casing
0.5	1	115	ODP

Performance Curve



www.wdmpumps.com



- usasales@wdmpumps.com
- support@wdmpumps.com