

# WDM<sup>®</sup>

## PUMPS

### VSE

Pump Body  
Cast Iron



### VSSE

Pump Body  
Stainless Steel



- Flow Rates to : 776 GPM
- Size to 4" Discharge
- Motors to 60 HP

- Stainless Steel Impeller
- Temperature to 248° F
- Grease for Life Bearing Design

- Premium Efficient Motors
- Lead Free Design
- In Line Pump Set-up

## Technical Book

### Vertical Multistage Centrifugal Pump 2022.

WDM Water Systems



[www.wdmpumps.com](http://www.wdmpumps.com)

## WDM Water Systems

WDM Pumps has expanded its brand as an international manufacturer of fluid handling pumps by consistently meeting and exceeding the needs of our customers.

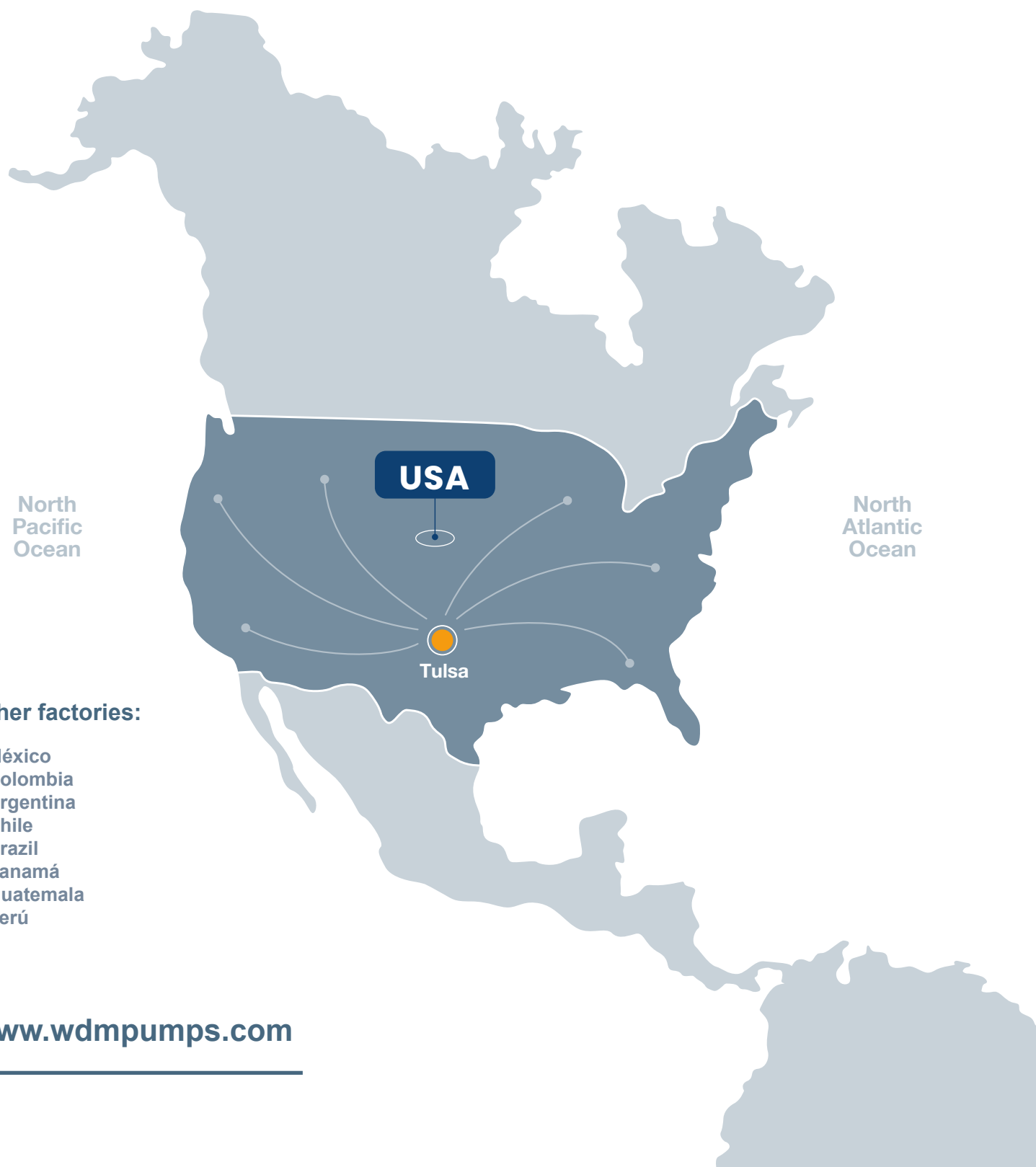
Continuing a tradition of more than 50 years, WDM Pumps manufactures quality electric and engine driven pumps for diverse commercial and industrial applications. Our continued growth is based on a commitment to high standards for efficient product design, production, sales, and customer support.

Our customers rely on our world-class team of experienced WDM Pumps engineers, technicians, and product application specialists.

WDM offers pump products and related equipment for a wide variety of industries. WDM Pumps manufactured and distributed self priming, flexible coupled, close coupled, horizontal split case, vertical inline, UL/FM listed fire pumps, vertical multistage, ANSI, submersible sump and sewage and vertical turbine.

WDM Pumps plants are strategically located throughout the Americas with USA offices located in Tulsa Oklahoma.





North  
Pacific  
Ocean

North  
Atlantic  
Ocean

USA

Tulsa

#### Other factories:

- México
- Colombia
- Argentina
- Chile
- Brazil
- Panamá
- Guatemala
- Perú

# INDEX



Pump Family		Content	Pag.
VSE Pumps	VSE VSSE	Selection and Sizing	6-8
		Operating and Inlet Pressures	9-10
		Selection Charts	11
		Sectionals	12-14
		Dimensionals	15-25
		Repair Kit Seal	26
		Performance Curves	28-49
		Accessories	50-51



## VSE Pumps Close Coupled

### Features:

- Construction: Cast Iron / Stainless Steel
- Suction: Up To 4"
- Discharge: Up To 4"
- Impeller: Enclosed, Stainless Steel, Dynamically Balanced.
- Mechanical Seal: Standard Silicon / Carbon / Viton.
- Wear Rings: Lead Free Bronze
- Motor: 3 Phases Up To 60 Hp.
- ANSI Flange Connections.

### Benefits:

- Quick Delivery.
- Easy Set Up & Installation.
- Low and Ease Maintenance.
- Long Service Life.
- Variety of Sizes.



### Nomenclature:

V S E 4 5 2 5 - 2 5 0

**Pump Family.**  
V = Vertical Multistage Centrifugal Pump.

**Material.**  
S = Pump Body in Cast Iron  
SS= Pump Body in Stainles Steel  
Impeller: Stainles Steel

**Driver Type.**  
E = Electric Motor.

**Flow.**  
 $m^3 / h$  = Cubic Meters per Hour  
 $m^3 / h = 4.4$  US GPM

**Number of stages.**

**Power (HP).**  
Multiplied by ten  
250 = 25HP.

## 1. Duty Point Of The Pump

From a duty point it is possible to select a pump on the basis of the curve charts shown in “performance curves/ technical” data.

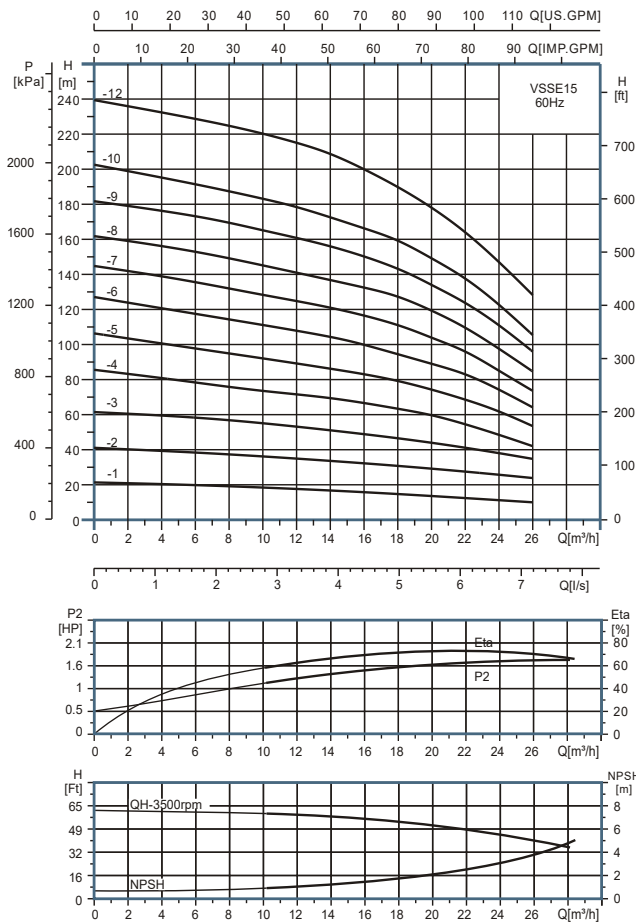


Fig. 1 Example of Curve Chart

## 2. Dimensional Data

When sizing a pump the following must be taken into accounting:

- Required flow and pressure at the duty point.
- Pressure loss as a result of height differences (H)
- It may be necessary to account for pressure
- Loss in connection with long pipes, bends or valves, etc.
- Best efficiency at the estimated duty point.

- NPSH value.
- For calculation of the NPSH value, see corresponding curves chart.

## 3. Pump Efficiency

Before determining the best efficiency point, the operation pattern of the pump needs to be identified. If the pump expected to operate as the same duty point, then select a VSE pump which is operating a duty point corresponding with the best efficiency of the pump.

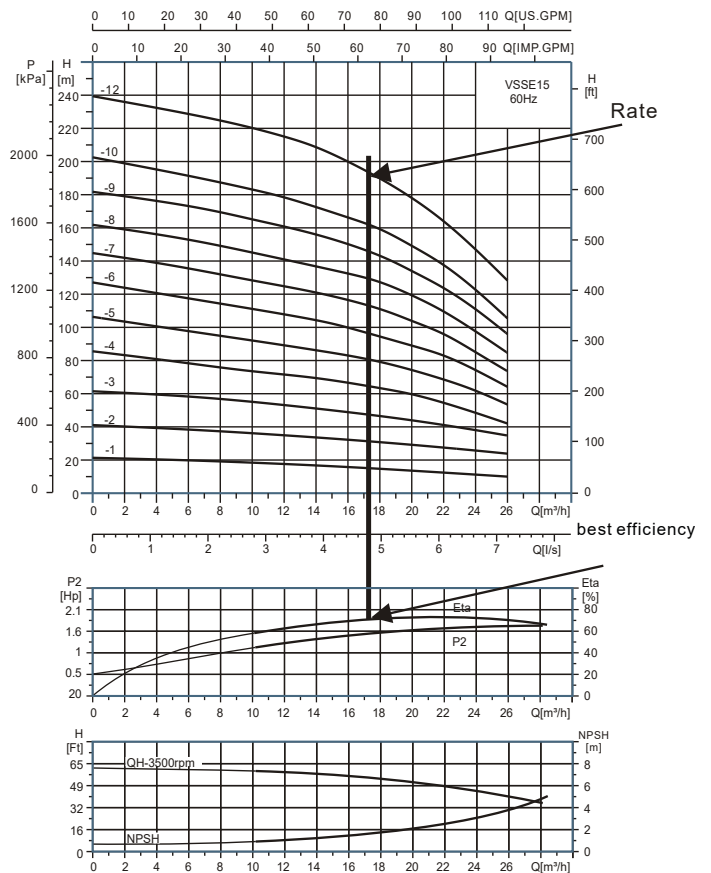


Fig.6 example of duty point

As the pump is sized on the basis of the highest possible flow, it is important always to have the duty point to the right on the efficiency curve (eta) in order to keep efficiency high when the flow drops.

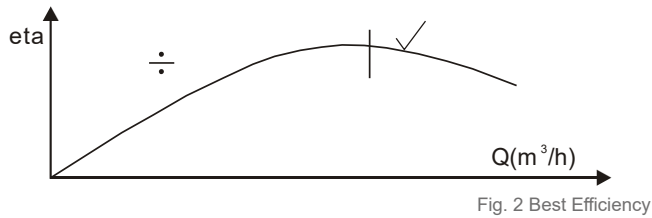


Fig. 2 Best Efficiency

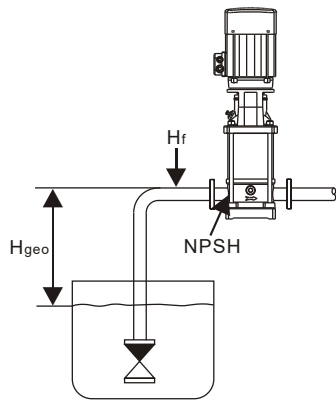


Fig. 3 Dimensional Data

#### 4. Pump Material

The material variant (VSE, VSSE) should be selected based upon the liquid to be pump. VSSE wetted parts are made of AISI304. VSE pump body is made of cast-iron and. Wetted parts are made of AISI304.

#### 5. Pump Connections

Selection of pump connection depend on the rated pressure and pipework. To meet any requirement the VSE, VSSE pump offer a wide range of flexible connection such as:

- ANSI flange.
- DIN flange.
- PJE coupling.
- Union connection.
- Other connections on request.

#### 6. Shaft Seal

As standard, the VSE AND VSSE range is fitted with a cartridge type suitable for the most common applications. the following key parameters must be taken in to account, when selecting the shaft seal:

- Type of pumped liquid.
- Liquid temperature and
- Maximum pressure.

#### Inlet pressure and operating pressure

The limit values stated on page 9 and page 10 must not be exceeded as regards

- Maximum inlet pressure and
- Maximum operating pressure.

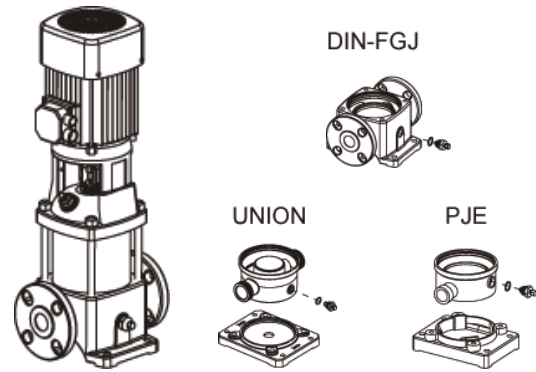


Fig. 4 VSE Pump

Fig. 5 Pump Connections

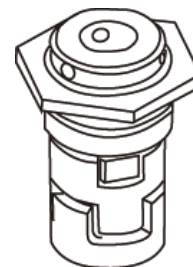


Fig. 6 Pump Connections

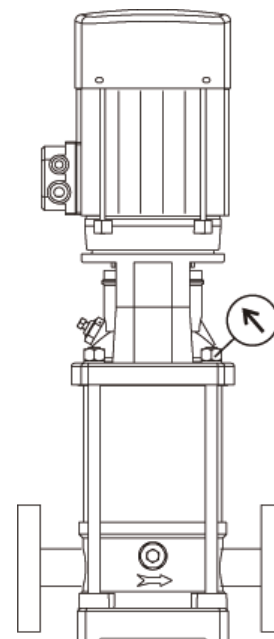
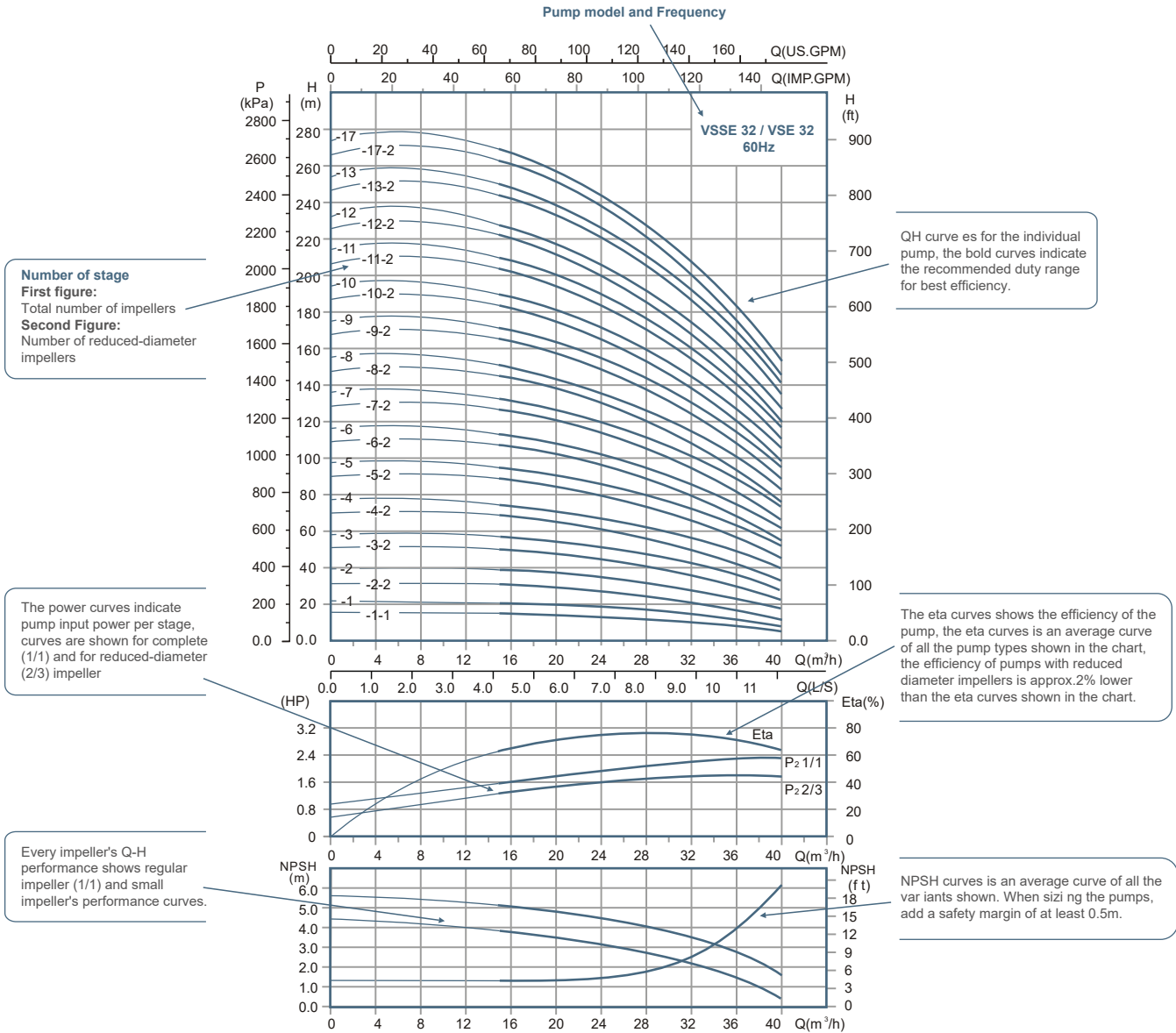


Fig. 7 Inlet Pressure and Operating Pressure

### How to read the curves chart

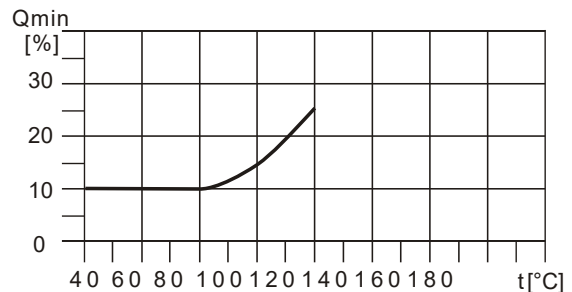


### Explanation of Performance Curves

Guidelines to performance curves the guidelines below apply to the curves shown on the following pages:

1. Measurements have been made with airless water at a temperature of 20 °C
2. The curves apply to kinematic viscosity of  $\nu = 1 \text{ mm}^2/\text{s}$  (1 cst)
3. Due to the risk of overheating, the pumps should not be used at a flow below the minimum flow rate.
4. The QH curves apply to a rated motor speed of 3500  $\text{min}^{-1}$ , all curves are based on current motor speeds.


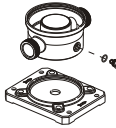
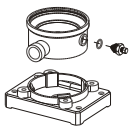
The curve below shows the minimum flow rate as a percentage of the nominal flow rate in relation to the liquid temperature.



Note: Water valve must be open during operation.



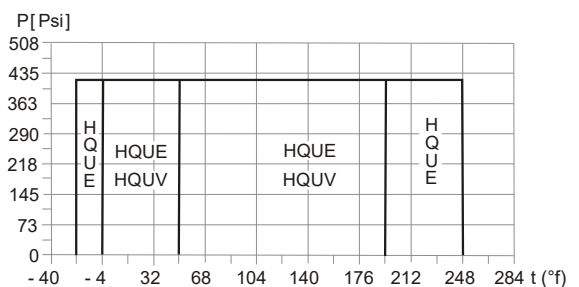
### Maximum Operating Pressure and Temperature Range

	DIN-FGJ 	UNION 	PJE 
	Max. Permissible Operating Pressure		Liquid Temperature Range
VSE,VSSE1	362 PSI		- 4° F + 248° F
VSE,VSSE2	362 PSI		- 4° F + 248° F
VSE,VSSE3	362 PSI		- 4° F + 248° F
VSE,VSSE4	362 PSI		- 4° F + 248° F
VSE,VSSE5	362 PSI		- 4° F + 248° F
VSE,VSSE10-1 ▶ VSE,VSSE10-16	362 PSI		- 4° F + 248° F
VSE,VSSE10-1 ▶ VSE,VSSE10-22	362 PSI		- 4° F + 248° F
VSE15-1 ▶ VSE15-17	362 PSI		- 4° F + 248° F
VSSE15-1 ▶ VSSE15-10	362 PSI		- 4° F + 248° F
VSE15-1 ▶ VSE15-17	362 PSI		- 4° F + 248° F
VSSE20-1 ▶ VSSE20-7	362 PSI		- 4° F + 248° F
VSE,VSSE20-1 ▶ VSE,VSSE20-10	362 PSI		- 4° F + 248° F
VSE,VSSE20-1 ▶ VSE,VSSE20-17	362 PSI		- 4° F + 248° F
VSE,VSSE32-1-1 ▶ VSE,VSSE32-7	232 PSI		- 22° F + 248° F
VSE,VSSE32-8-2 ▶ VSE,VSSE32-12	362 PSI		- 22° F + 248° F
VSE,VSSE32-13-2 ▶ VSE,VSSE32-14	435 PSI		- 22° F + 248° F
VSE,VSSE45-1-1 ▶ VSE,VSSE45-5	232 PSI		- 22° F + 248° F
VSE,VSSE45-6-2 ▶ VSE,VSSE45-9	362 PSI		- 22° F + 248° F
VSE,VSSE45-10-2 ▶ VSE,VSSE45-10	478 PSI		- 22° F + 248° F
VSE,VSSE64-1-1 ▶ VSE,VSSE64-5	232 PSI		- 22° F + 248° F
VSE,VSSE64-6-2 ▶ VSE,VSSE-64-7-1	362 PSI		- 22° F + 248° F
VSE,VSSE90-1-1 ▶ VSE,VSSE90-4	232 PSI		- 22° F + 248° F
VSE,VSSE90-5-2 ▶ VSE,VSSE90-6	362 PSI		- 22° F + 248° F

### Operating range of the shaft seal

The operating range of the shaft seal depends on operating pressure, pump type, type of shaft seal and liquid temperature. The following curves apply to clean water and water containing glycol.

Fig. 8 Operating range of standard shaft seals





### Maximum Inlet Pressure

The following table shows the maximum permissible inlet pressure. However, the current inlet pressure the pressure against a closed valve must always be lower than the maximum permissible operating pressure. If the maximum permissible operating pressure is exceeded, the bearing in the motor may be damaged and the life of the shaft seal reduced.

Example of operating and inlet pressures:

The values for operating and inlet pressures shown in the table must not be considered in dividually but must always be compared, see the following examples.

#### Example 1:

Pump Model: VSSE-5-20-A-FGJ-E-HQUE  
 Max.operating pressure: 362 PSI  
 Max.inlet pressure: 217 PSI  
 Discharge pressure against a closed valve: 198 PSI, see page 31.  
 The pump is not allowed to start at an inlet pressure of 217 PSI, but at an inlet pressure of  $362-198 = 164$  PSI.

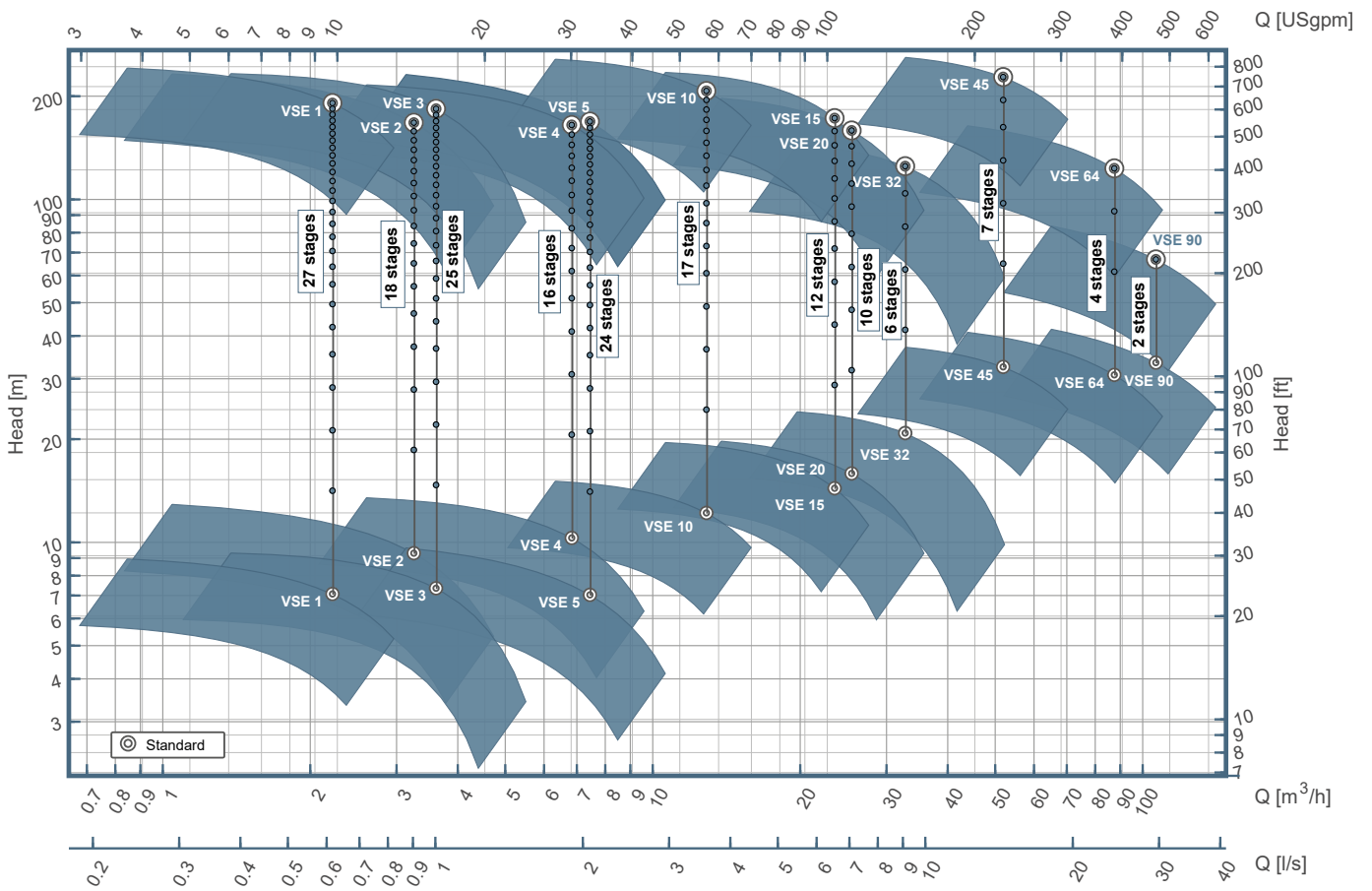
#### Example 2:

Pump Model: VSSE15-3-A-P-E-HQUE  
 Max.operating pressure: 232 PSI  
 Max.inlet pressure: 116 PSI  
 Discharge pressure against a closed valve: 61 PSI see page 39 curves chart.

This pump is allowed to start at an inlet pressure of 87 PSI, as the discharge pressure against a closed valve is only 61 PSI, which results in an operating pressure of  $87+61=148$  PSI. On the contrary, the max. Operating pressure of this pump limited to 177 PSI, as a higher operating pressure bigger than 8bar will require on the Inlet.

VSE, VSSE 1		
VSE, VSSE1-2	VSE, VSSE1-36	145 PSI
VSE, VSSE 2		
VSE, VSSE2-2	VSE, VSSE2-26	145 PSI
VSE, VSSE 3		
VSE, VSSE3-2	VSE, VSSE3-29	145 PSI
VSE, VSSE3-31	VSE, VSSE3-36	217 PSI
VSE, VSSE 4		
VSE, VSSE4-2	VSE, VSSE4-22	217 PSI
VSE, VSSE 5		
VSE, VSSE5-2	VSE, VSSE5-16	145 PSI
VSE, VSSE5-18	VSE, VSSE5-36	217 PSI
VSE, VSSE 10		
VSE, VSSE10-1	VSE, VSSE10-6	116 PSI
VSE, VSSE10-7	VSE, VSSE10-22	145 PSI
VSE, VSSE 15		
VSE, VSSE15-1	VSE, VSSE15-3	116 PSI
VSE, VSSE15-4	VSE, VSSE15-17	145 PSI
VSE, VSSE 20		
VSE, VSSE20-1	VSE, VSSE20-3	116 PSI
VSE, VSSE20-4	VSE, VSSE20-17	145 PSI
VSE, VSSE 32		
VSE, VSSE32-1-1	VSE, VSSE32-4	58 PSI
VSE, VSSE32-5-2	VSE, VSSE32-10	145 PSI
VSE, VSSE32-11-2	VSE, VSSE32-14	217 PSI
VSE, VSSE 45		
VSE, VSSE45-1-1	VSE, VSSE45-2	58 PSI
VSE, VSSE45-3-2	VSE, VSSE45-5	145 PSI
VSE, VSSE45-6-2	VSE, VSSE45-13-2	217 PSI
VSE, VSSE 64		
VSE, VSSE64-1-1	VSE, VSSE64-2-2	58 PSI
VSE, VSSE64-2-1	VSE, VSSE64-4-2	145 PSI
VSE, VSSE64-4-1	VSE, VSSE64-8-1	217 PSI
VSE, VSSE 90		
VSE, VSSE90-1-1	VSE, VSSE90-1	58 PSI
VSE, VSSE90-2-2	VSE, VSSE90-2-3	145 PSI
VSE, VSSE90-3	VSE, VSSE90-6	217 PSI

### 2 poles (3600 rpm)



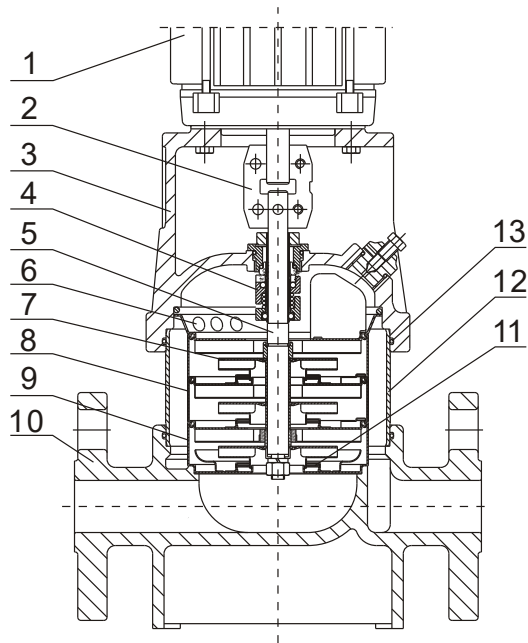
# Sectional VSE Pumps

1-3-4-5

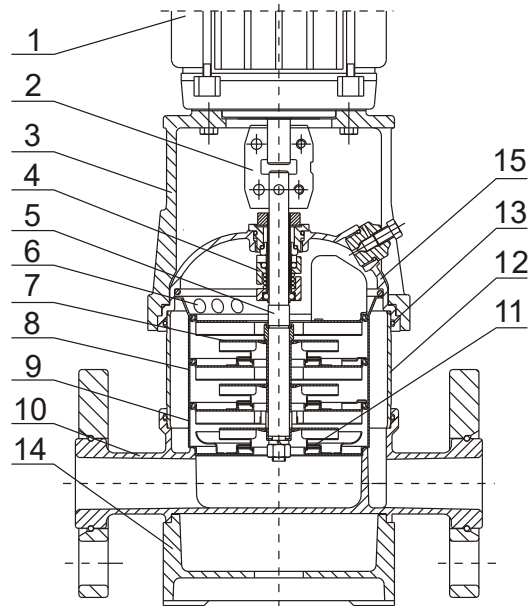


www.wdmpumps.com

**VSE PUMP**



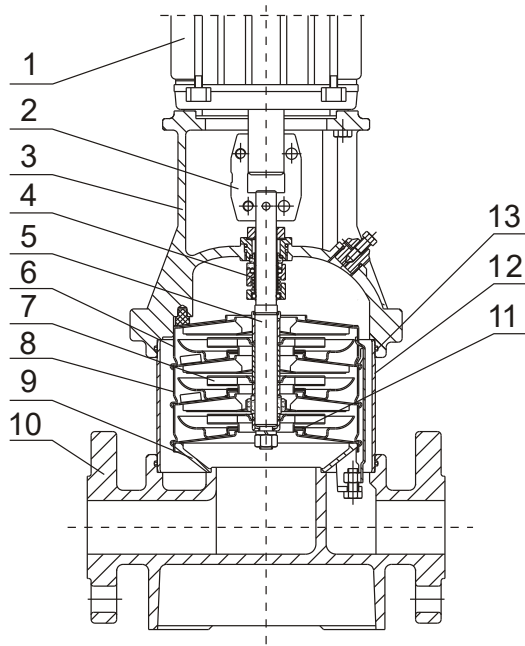
**VSSE PUMP**



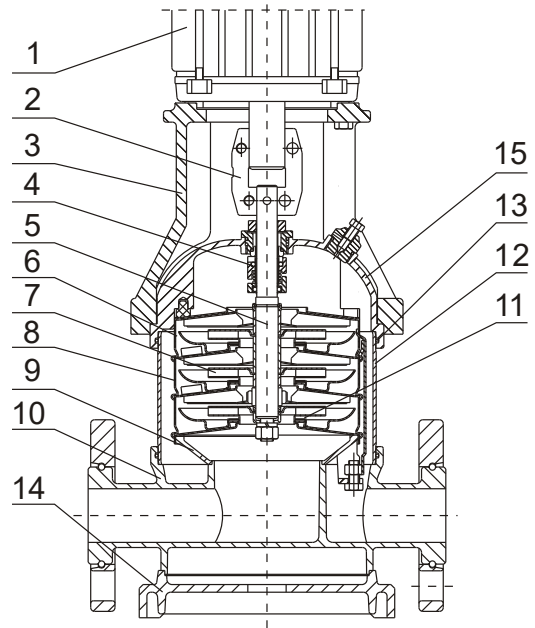
ITEM	DESCRIPTION	MATERIAL	EN/DIN	AISI/ASTM
1	Motor			
2	Shaft Connector			
3	Pump Head	Cast Iron	EN-JL1030	ASTM25B
4	Mechanical Seal	Standard Silicon / Carbon / Viton		
5	Shaft	S.S	1,451	AISI431
6	Outlet	S.S	1,430	AISI304
7	Impeller	S.S	1,430	AISI304
8	Hydraulic Stack	S.S	1,430	AISI304
9	Inlet	S.S	1,430	AISI304
10	Pump Body	Cast Iron	EN-JL1030	ASTM25B
11	Neck Ring	PTFE		
12	Outer Sleeve	S.S	1,430	AISI304
13	O-Ring	EPDM/FKM		

ITEM	DESCRIPTION	MATERIAL	EN/DIN	AISI/ASTM
1	Motor			
2	Shaft Connector			
3	Pump Head	Cast Iron	EN-JL1030	ASTM25B
4	Mechanical Seal	Standard Silicon / Carbon / Viton		
5	Shaft	S.S	1,451	AISI431
6	Outlet	S.S	1,430	AISI304
7	Impeller	S.S	1,430	AISI304
8	Hydraulic Stack	S.S	1,430	AISI304
9	Inlet	S.S	1,430	AISI304
10	Pump Body	S.S	1,430	AISI304
11	Neck Ring	PTFE		
12	Outer Sleeve	S.S	1,430	AISI304
13	O-Ring	EDM/FKM		
14	Bottom Base	Cast Iron	EN-JL1030	ASTM25B
15	Pump Cover	S.S	1,430	AISI304

**VSE PUMP**



**VSSE PUMP**



ITEM	DESCRIPTION	MATERIAL	EN/DIN	AISI/ASTM
1	Motor			
2	Shaft Connector			
3	Pump Head	Cast Iron	EN-JL 1030	ASTM25B
4	Mechanical Seal	Standard Silicon / Carbon / Viton		
5	Shaft	S.S	1,451	AISI431
6	Outlet	S.S	1,430	AISI304
7	Impeller	S.S	1,430	AISI304
8	Hydraulic Stack	S.S	1,430	AISI304
9	Settled Cover	S.S	1,430	AISI304
10	Pump Body	Cast Iron	EN-JL 1030	ASTM25B
11	Neck Ring	PTFE		
12	Outer Sleeve	S.S	1,430	AISI304
13	O-Ring	EPDM/FKM		

ITEM	DESCRIPTION	MATERIAL	EN/DIN	AISI/ASTM
1	Motor			
2	Shaft Connector			
3	Pump Head	Cast Iron	EN-JL 1030	ASTM25B
4	Mechanical Seal	Standard Silicon / Carbon / Viton		
5	Shaft	S.S	1,451	AISI431
6	Outlet	S.S	1,430	AISI304
7	Impeller	S.S	1,430	AISI304
8	Hydraulic Stack	S.S	1,430	AISI304
9	Settled Cover	S.S	1,430	AISI304
10	Pump Body	S.S	1,430	AISI304
11	Neck Ring	PTFE		
12	Outer Sleeve	S.S	1,430	AISI304
13	O-Ring	PDM/FKM		
14	Bottom Base	Cast iron	EN-JL 1030	ASTM25B
15	Pump Cover	S.S	1,430	AISI304

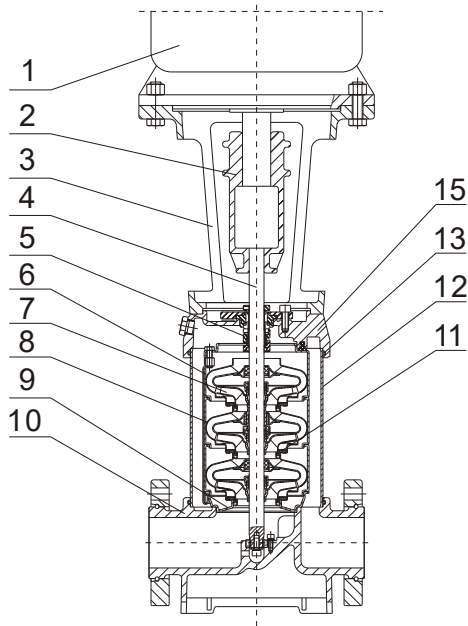
# Sectional VSE Pumps

32-45-64-90

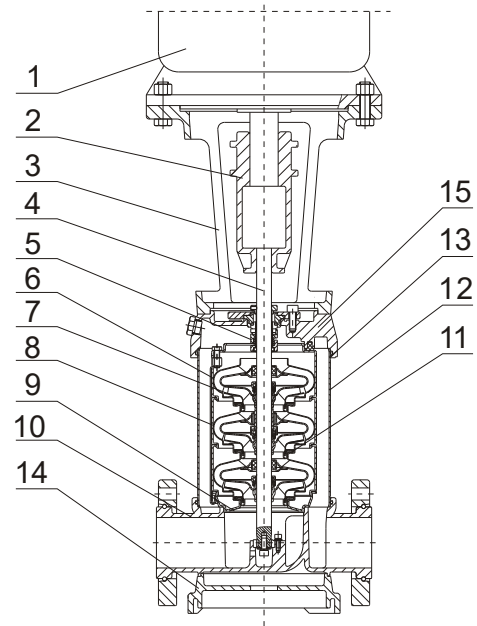


www.wdmpumps.com

## VSE PUMP

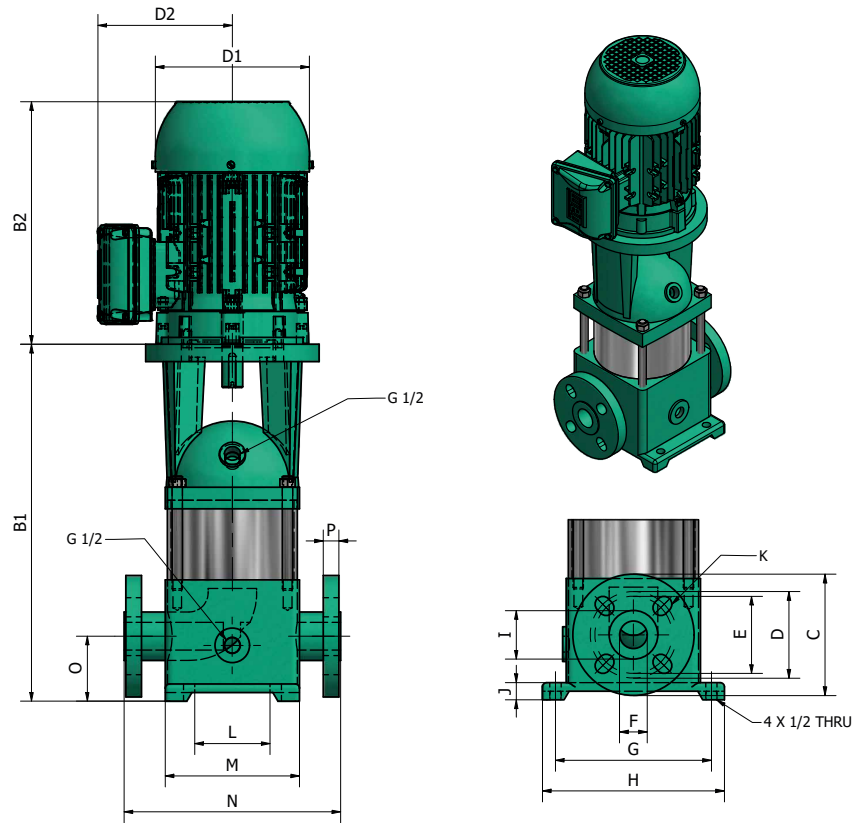


## VSSE PUMP



ITEM	DESCRIPTION	MATERIAL	EN/DIN	AISI/ASTM
1	Motor			
2	Shaft Connector			
3	Pump Head	Cast iron	EN-JL1030	ASTM25B
4	Shaft	S.S	1,451	AISI431
5	Mechanical Seal	Standard Silicon / Carbon / Viton		
6	Outlet	S.S	1,430	AISI304
7	Impeller	S.S	1,430	AISI304
8	Hydraulic Stack	S.S	1,430	AISI304
9	Inlet	S.S	1,430	AISI304
10	Pump Body	Cast iron	EN-JL1030	ASTM25B
11	Neck Ring	PTFE		
12	Outer Sleeve	S.S	1,430	AISI304
13	O-Ring	EPDM/FKM		
14	Pump Cover	Cast iron	EN-JL1030	ASTM25B

ITEM	DESCRIPTION	MATERIAL	EN/DIN	AISI/ASTM
1	Motor			
2	Shaft Connector			
3	Pump Head	Cast iron	EN-JL1030	ASTM25B
4	Shaft	S.S	1,451	AISI431
5	Mechanical Seal	Standard Silicon / Carbon / Viton		
6	Outlet	S.S	1,430	AISI304
7	Impeller	S.S	1,430	AISI304
8	Hydraulic Stack	S.S	1,430	AISI304
9	Inlet	S.S	1,430	AISI304
10	Pump Body	S.S	1,430	AISI304
11	Neck Ring	PTFE		
12	Outer Sleeve	S.S	1,430	AISI304
13	O-Ring	EPDM/FKM		
14	Bottom Base	Cast iron	EN-JL1030	ASTM25B
15	Pump Cover	S.S	1,430	AISI304

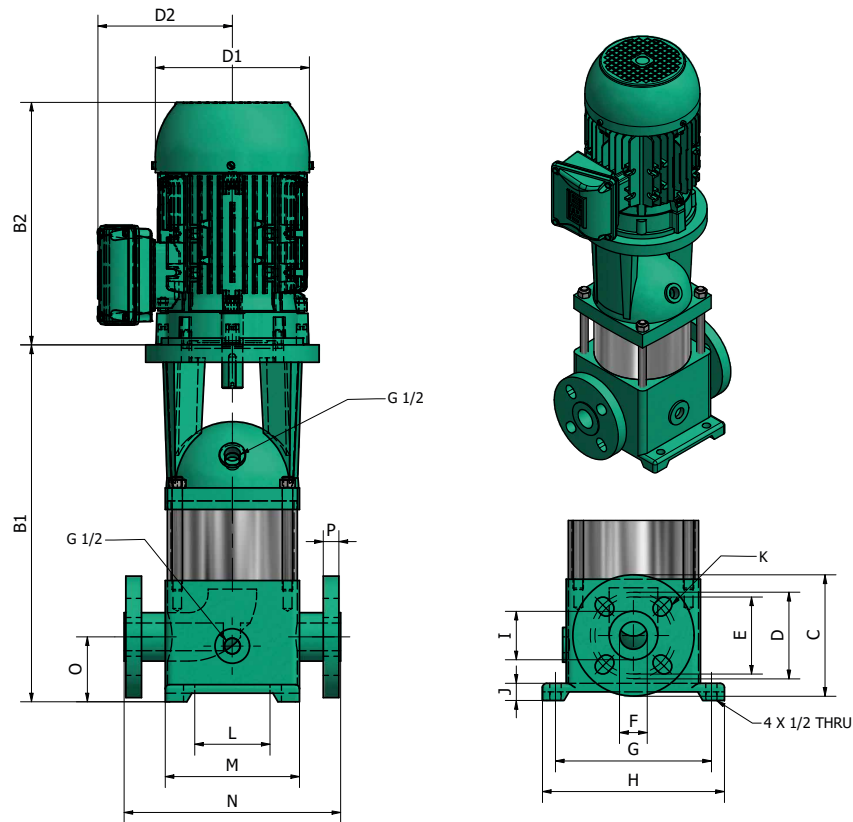


Model	Ref	Size(in)																		Weight (lb)	Suc (in)	Disc (in)	
		B1	B2	B1+B2	D1	D2	C	D	E	F	G	H	I	J	K	L	M	N	O				P
VSE 1-2-5-1	1G0612	10 3/8	8 1/8	18 3/8	5 1/4	4	4 1/2	3 1/2	3 1/2	1 1/4	7 1/8	8 1/4	2 1/4	3/4	5/8	3 7/8	6 1/8	9 7/8	3	3/4	51	1 1/4	1 1/4
VSE 1-3-5-1	1G0722	11	8 1/8	19 1/8	5 1/4	4	4 1/2	3 1/2	3 1/2	1 1/4	7 1/8	8 1/4	2 1/4	3/4	5/8	3 7/8	6 1/8	9 7/8	3	3/4	51	1 1/4	1 1/4
VSE 1-4-5-1	1G0613	11 3/4	8 1/8	19 3/4	5 1/4	4	4 1/2	3 1/2	3 1/2	1 1/4	7 1/8	8 1/4	2 1/4	3/4	5/8	3 7/8	6 1/8	9 7/8	3	3/4	53	1 1/4	1 1/4
VSE 1-5-7-1	1G0614	12 1/2	8 1/8	20 1/2	5 1/4	4	4 1/2	3 1/2	3 1/2	1 1/4	7 1/8	8 1/4	2 1/4	3/4	5/8	3 7/8	6 1/8	9 7/8	3	3/4	55	1 1/4	1 1/4
VSE 1-6-7-1	1G0615	13 1/8	8 1/8	21 1/4	5 1/4	4	4 1/2	3 1/2	3 1/2	1 1/4	7 1/8	8 1/4	2 1/4	3/4	5/8	3 7/8	6 1/8	9 7/8	3	3/4	57	1 1/4	1 1/4
VSE 1-7-10-1	1G0616	13 7/8	8 1/8	21 7/8	5 1/4	4	4 1/2	3 1/2	3 1/2	1 1/4	7 1/8	8 1/4	2 1/4	3/4	5/8	3 7/8	6 1/8	9 7/8	3	3/4	60	1 1/4	1 1/4
VSE 1-8-10-1	1G0617	14 5/8	8 1/8	22 5/8	5 1/4	4	4 1/2	3 1/2	3 1/2	1 1/4	7 1/8	8 1/4	2 1/4	3/4	5/8	3 7/8	6 1/8	9 7/8	3	3/4	62	1 1/4	1 1/4
VSE 1-9-10-1	1G0136	15 1/4	8 1/8	23 3/8	5 1/4	4	4 1/2	3 1/2	3 1/2	1 1/4	7 1/8	8 1/4	2 1/4	3/4	5/8	3 7/8	6 1/8	9 7/8	3	3/4	66	1 1/4	1 1/4
VSE 1-10-15-1	1G0618	16 1/4	9 1/2	25 3/4	6 1/8	4 3/8	4 1/2	3 1/2	3 1/2	1 1/4	7 1/8	8 1/4	2 1/4	3/4	5/8	3 7/8	6 1/8	9 7/8	3	3/4	71	1 1/4	1 1/4
VSE 1-11-15-1	1G0137	16 7/8	9 1/2	26 3/8	6 1/8	4 3/8	4 1/2	3 1/2	3 1/2	1 1/4	7 1/8	8 1/4	2 1/4	3/4	5/8	3 7/8	6 1/8	9 7/8	3	3/4	71	1 1/4	1 1/4
VSE 1-12-15-1	1G0619	17 5/8	9 1/2	27 1/8	6 1/8	4 3/8	4 1/2	3 1/2	3 1/2	1 1/4	7 1/8	8 1/4	2 1/4	3/4	5/8	3 7/8	6 1/8	9 7/8	3	3/4	73	1 1/4	1 1/4
VSE 1-13-15	1G0138	18 3/8	9 1/2	27 7/8	6 1/8	4 3/8	4 1/2	3 1/2	3 1/2	1 1/4	7 1/8	8 1/4	2 1/4	3/4	5/8	3 7/8	6 1/8	9 7/8	3	3/4	73	1 1/4	1 1/4
VSE 1-15-20-1	1G0620	19 3/4	9 1/2 - 11 1/2	29 1/4	6 1/8	4 3/8	4 1/2	3 1/2	3 1/2	1 1/4	7 1/8	8 1/4	2 1/4	3/4	5/8	3 7/8	6 1/8	9 7/8	3	3/4	75	1 1/4	1 1/4
VSE 1-17-20-1	1G0162	21 1/8	9 1/2 - 11 1/2	30 5/8	6 1/8	4 3/8	4 1/2	3 1/2	3 1/2	1 1/4	7 1/8	8 1/4	2 1/4	3/4	5/8	3 7/8	6 1/8	9 7/8	3	3/4	75	1 1/4	1 1/4
VSE 1-19-30	1G0621	23 1/8	10 7/8 - 11 1/2	34	7	4 5/8	4 1/2	3 1/2	3 1/2	1 1/4	7 1/8	8 1/4	2 1/4	3/4	5/8	3 7/8	6 1/8	9 7/8	3	3/4	84	1 1/4	1 1/4
VSE 1-21-30	1G0140	24 5/8	10 7/8 - 11 1/2	35 3/8	7	4 5/8	4 1/2	3 1/2	3 1/2	1 1/4	7 1/8	8 1/4	2 1/4	3/4	5/8	3 7/8	6 1/8	9 7/8	3	3/4	84	1 1/4	1 1/4
VSE 1-23-30	1G0141	26	10 7/8 - 11 1/2	36 3/4	7	4 5/8	4 1/2	3 1/2	3 1/2	1 1/4	7 1/8	8 1/4	2 1/4	3/4	5/8	3 7/8	6 1/8	9 7/8	3	3/4	95	1 1/4	1 1/4
VSE 1-25-30	1G0622	27 3/8	10 7/8 - 11 1/2	38 1/4	7	4 5/8	4 1/2	3 1/2	3 1/2	1 1/4	7 1/8	8 1/4	2 1/4	3/4	5/8	3 7/8	6 1/8	9 7/8	3	3/4	99	1 1/4	1 1/4
VSE 1-27-40	1G0623	28 7/8	11 1/2	39 5/8	7	4 5/8	4 1/2	3 1/2	3 1/2	1 1/4	7 1/8	8 1/4	2 1/4	3/4	5/8	3 7/8	6 1/8	9 7/8	3	3/4	110	1 1/4	1 1/4

# Dimensional VSE Pumps VSE 3



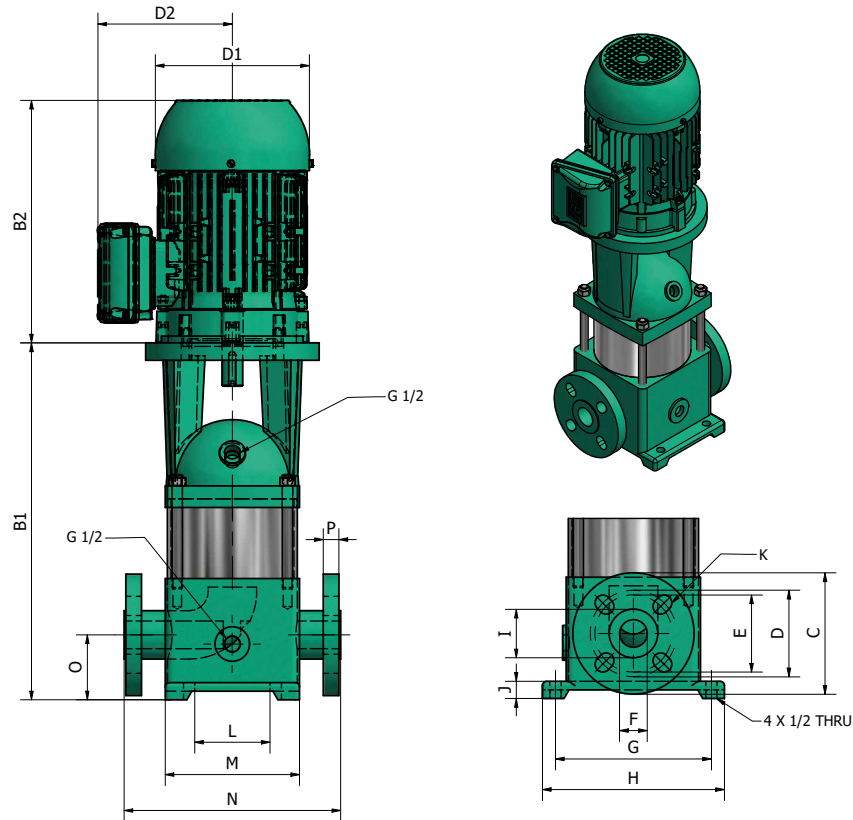
www.wdmpumps.com



Model	Ref	Size(in)																		Weight (lb)	Suc (in)	Disc (in)	
		B1	B2	B1+B2	D1	D2	C	D	E	F	G	H	I	J	K	L	M	N	O				P
VSE 3-2-5-1	1G0624	10 1/4	8 1/8	18 1/4	5 1/4	4	4 1/2	3 1/2	3 1/2	1 1/4	7	8 1/2	2 1/4	3/4	5/8	4	6	10	3	3/4	44	1 1/4	1 1/4
VSE 3-3-7-1	1G0625	10 7/8	8 1/8	19	5 1/4	4	4 1/2	3 1/2	3 1/2	1 1/4	7	8 1/2	2 1/4	3/4	5/8	4	6	10	3	3/4	46	1 1/4	1 1/4
VSE 3-4-7-1	1G0626	11 5/8	8 1/8	19 5/8	5 1/4	4	4 1/2	3 1/2	3 1/2	1 1/4	7	8 1/2	2 1/4	3/4	5/8	4	6	10	3	3/4	49	1 1/4	1 1/4
VSE 3-5-10-1	1G0627	12 3/8	8 1/8	20 3/8	5 1/4	4	4 1/2	3 1/2	3 1/2	1 1/4	7	8 1/2	2 1/4	3/4	5/8	4	6	10	3	3/4	51	1 1/4	1 1/4
VSE 3-6-15-1	1G0628	13 1/4	9 1/2	22 3/4	6 1/8	4 3/8	4 1/2	3 1/2	3 1/2	1 1/4	7	8 1/2	2 1/4	3/4	5/8	4	6	10	3	3/4	55	1 1/4	1 1/4
VSE 3-7-15-1	1G0629	14	9 1/2	23 1/2	6 1/8	4 3/8	4 1/2	3 1/2	3 1/2	1 1/4	7	8 1/2	2 1/4	3/4	5/8	4	6	10	3	3/4	57	1 1/4	1 1/4
VSE 3-8-15	1G0142	14 5/8	9 1/2	24 1/8	6 1/8	4 3/8	4 1/2	3 1/2	3 1/2	1 1/4	7	8 1/2	2 1/4	3/4	5/8	4	6	10	3	3/4	57	1 1/4	1 1/4
VSE 3-9-20-1	1G0630	15 3/8	9 1/2 - 11 1/2	24 7/8	6 1/8	4 3/8	4 1/2	3 1/2	3 1/2	1 1/4	7	8 1/2	2 1/4	3/4	5/8	4	6	10	3	3/4	66	1 1/4	1 1/4
VSE 3-10-20-1	1G0631	16 1/8	9 1/2 - 11 1/2	25 5/8	6 1/8	4 3/8	4 1/2	3 1/2	3 1/2	1 1/4	7	8 1/2	2 1/4	3/4	5/8	4	6	10	3	3/4	66	1 1/4	1 1/4
VSE 3-11-20	1G0143	16 3/4	9 1/2 - 11 1/2	26 1/4	6 1/8	4 3/8	4 1/2	3 1/2	3 1/2	1 1/4	7	8 1/2	2 1/4	3/4	5/8	4	6	10	3	3/4	68	1 1/4	1 1/4
VSE 3-12-30	1G0632	17 7/8	10 7/8 - 11 1/2	28 5/8	7	4 5/8	4 1/2	3 1/2	3 1/2	1 1/4	7	8 1/2	2 1/4	3/4	5/8	4	6	10	3	3/4	77	1 1/4	1 1/4
VSE 3-13-30	1G0633	18 1/2	10 7/8 - 11 1/2	29 3/8	7	4 5/8	4 1/2	3 1/2	3 1/2	1 1/4	7	8 1/2	2 1/4	3/4	5/8	4	6	10	3	3/4	79	1 1/4	1 1/4
VSE 3-15-30	1G0144	20	10 7/8 - 11 1/2	30 3/4	7	4 5/8	4 1/2	3 1/2	3 1/2	1 1/4	7	8 1/2	2 1/4	3/4	5/8	4	6	10	3	3/4	82	1 1/4	1 1/4
VSE 3-17-30	1G0145	21 3/8	10 7/8 - 11 1/2	32 1/4	7	4 5/8	4 1/2	3 1/2	3 1/2	1 1/4	7	8 1/2	2 1/4	3/4	5/8	4	6	10	3	3/4	84	1 1/4	1 1/4
VSE 3-19-40	1G0634	22 3/4	11 1/2	33 5/8	7	4 5/8	4 1/2	3 1/2	3 1/2	1 1/4	7	8 1/2	2 1/4	3/4	5/8	4	6	10	3	3/4	93	1 1/4	1 1/4
VSE 3-21-40	1G0635	12 3/8	11 1/2	35	7	4 5/8	4 1/2	3 1/2	3 1/2	1 1/4	7	8 1/2	2 1/4	3/4	5/8	4	6	10	3	3/4	95	1 1/4	1 1/4
VSE 3-23-40	1G0636	25 5/8	11 1/2	36 1/2	7	4 5/8	4 1/2	3 1/2	3 1/2	1 1/4	7	8 1/2	2 1/4	3/4	5/8	4	6	10	3	3/4	97	1 1/4	1 1/4
VSE 3-25-50	1G0146	27 7/8	12	39 7/8	7 3/4	5 7/8	4 1/2	3 1/2	3 1/2	1 1/4	7	8 1/2	2 1/4	3/4	5/8	4	6	10	3	3/4	110	1 1/4	1 1/4

Dimensions in Inches  
Technical features are subject to change without notice.





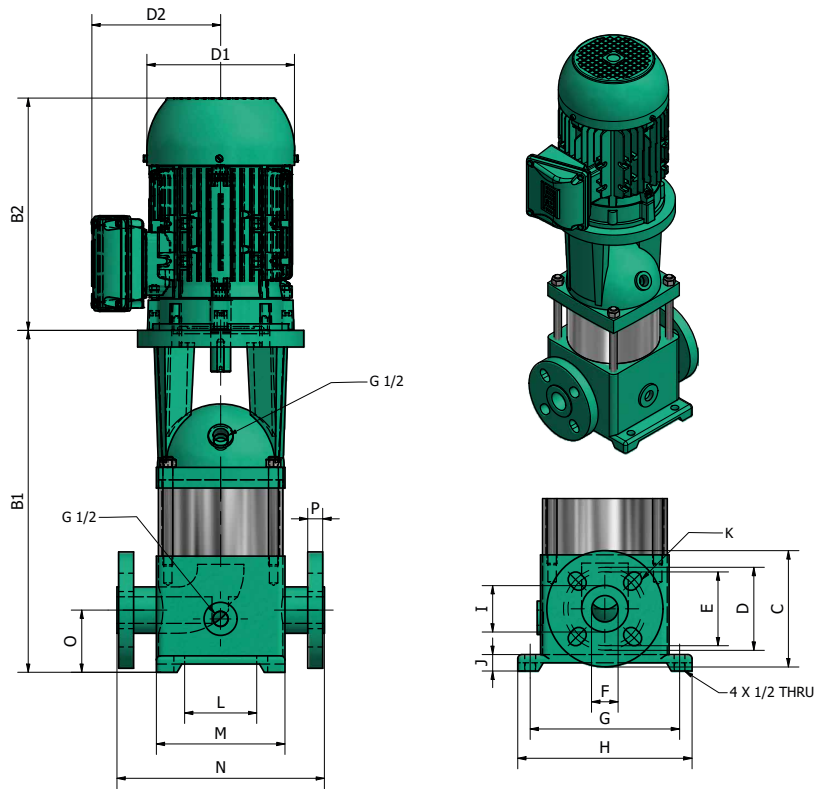
Model	Ref	Size(in)																		Weight (lb)	Suc (in)	Disc (in)		
		B1	B2	B1+B2	D	D1	D2	C	D	E	F	G	H	I	J	K	L	M	N				O	P
VSE 4-2-10-1	1G0637	10 3/8	8 1/8	18 3/8	-	5 1/4	4	4 1/2	3 1/2	3 1/2	1 1/4	7	8 1/2	2 1/4	3/4	5/8	4	6	10	3	3/4	55	1 1/4	1 1/4
VSE 4-3-15-1	1G0638	11 1/4	9 1/2	20 3/4	-	6 1/8	4 3/8	4 1/2	3 1/2	3 1/2	1 1/4	7	8 1/2	2 1/4	3/4	5/8	4	6	10	3	3/4	62	1 1/4	1 1/4
VSE 4-4-20-1	1G0639	12	9 1/2 - 11 1/2	21 1/2	-	6	4 3/8	4 1/2	3 1/2	3 1/2	1 1/4	7	8 1/2	2 1/4	3/4	5/8	4	6	10	3	3/4	66	1 1/4	1 1/4
VSE 4-5-30	1G0640	13	10 7/8 - 11 1/2	23 7/8	-	7	4 5/8	4 1/2	3 1/2	3 1/2	1 1/4	7	8 1/2	2 1/4	3/4	5/8	4	6	10	3	3/4	84	1 1/4	1 1/4
VSE 4-6-30	1G0641	13 3/4	10 7/8 - 11 1/2	24 1/2	-	7	4 5/8	4 1/2	3 1/2	3 1/2	1 1/4	7	8 1/2	2 1/4	3/4	5/8	4	6	10	3	3/4	86	1 1/4	1 1/4
VSE 4-7-40	1G0642	14 3/8	11 1/2	26	-	7	4 5/8	4 1/2	3 1/2	3 1/2	1 1/4	7	8 1/2	2 1/4	3/4	5/8	4	6	10	3	3/4	95	1 1/4	1 1/4
VSE 4-8-40	1G0643	15 1/8	11 1/2	26 5/8	-	7	4 5/8	4 1/2	3 1/2	3 1/2	1 1/4	7	8 1/2	2 1/4	3/4	5/8	4	6	10	3	3/4	97	1 1/4	1 1/4
VSE 4-10-50	1G0644	17 3/8	12	29 3/8	-	7 3/4	5 7/8	4 1/2	3 1/2	3 1/2	1 1/4	7	8 1/2	2 1/4	3/4	5/8	4	6	10	3	3/4	99	1 1/4	1 1/4
VSE 4-12-50	1G0170	18 3/4	12	30 3/4	-	7 3/4	5 7/8	4 1/2	3 1/2	3 1/2	1 1/4	7	8 1/2	2 1/4	3/4	5/8	4	6	10	3	3/4	101	1 1/4	1 1/4
VSE 4-14-75	1G0645	20 3/8	15 3/8	35 3/4	11 3/4	10 7/8	8 1/4	4 1/2	3 1/2	3 1/2	1 1/4	7	8 1/2	2 1/4	3/4	5/8	4	6	10	3	3/4	163	1 1/4	1 1/4
VSE 4-16-75	1G0171	21 3/4	15 3/8	37 1/8	11 3/4	10 7/8	8 1/4	4 1/2	3 1/2	3 1/2	1 1/4	7	8 1/2	2 1/4	3/4	5/8	4	6	10	3	3/4	165	1 1/4	1 1/4

# Dimensional VSE Pumps

## VSE 5

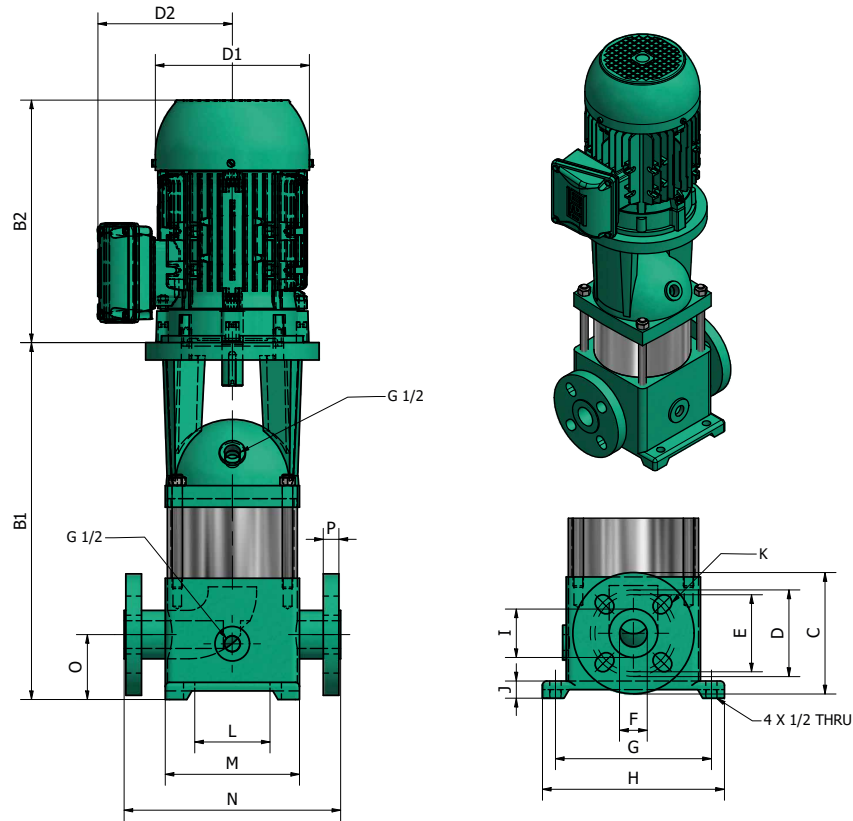


www.wdmpumps.com



Model	Ref	Size(in)																		Weight (lb)	Suc (in)	Disc (in)		
		B1	B2	B1+B2	D	D1	D2	C	D	E	F	G	H	I	J	K	L	M	N				O	P
VSE 5-2-7-1	1G0723	11	8 1/8	19 1/8	-	5 1/4	4	4 1/2	3 1/2	3 1/2	1 1/4	7	8 1/2	2 1/4	3/4	5/8	4	6	10	3	3/4	55	1 1/4	1 1/4
VSE 5-3-15-1	1G0724	12 3/8	9 1/2	21 3/4	-	6 1/8	4 3/8	4 1/2	3 1/2	3 1/2	1 1/4	7	8 1/2	2 1/4	3/4	5/8	4	6	10	3	3/4	62	1 1/4	1 1/4
VSE 5-4-15-1	1G0725	13 3/8	9 1/2	23	-	6	4 3/8	4 1/2	3 1/2	3 1/2	1 1/4	7	8 1/2	2 1/4	3/4	5/8	4	6	10	3	3/4	64	1 1/4	1 1/4
VSE 5-5-20-1	1G0726	14 1/2	9 1/2 - 11 1/2	23 7/8	-	7	4 5/8	4 1/2	3 1/2	3 1/2	1 1/4	7	8 1/2	2 1/4	3/4	5/8	4	6	10	3	3/4	66	1 1/4	1 1/4
VSE 5-6-30	1G0727	16 1/4	10 7/8 - 11 1/2	27	-	7	4 5/8	4 1/2	3 1/2	3 1/2	1 1/4	7	8 1/2	2 1/4	3/4	5/8	4	6	10	3	3/4	73	1 1/4	1 1/4
VSE 5-7-30	1G0728	16 7/8	10 7/8 - 11 1/2	27 3/4	-	7	4 5/8	4 1/2	3 1/2	3 1/2	1 1/4	7	8 1/2	2 1/4	3/4	5/8	4	6	10	3	3/4	75	1 1/4	1 1/4
VSE 5-8-30	1G0729	18	11 7/8 - 11 1/2	28 3/4	-	7	4 5/8	4 1/2	3 1/2	3 1/2	1 1/4	7	8 1/2	2 1/4	3/4	5/8	4	6	10	3	3/4	84	1 1/4	1 1/4
VSE 5-9-30-1	1G0177	19	12 7/8 - 11 1/2	29 7/8	-	7 3/4	5 7/8	4 1/2	3 1/2	3 1/2	1 1/4	7	8 1/2	2 1/4	3/4	5/8	4	6	10	3	3/4	88	1 1/4	1 1/4
VSE 5-9-30	1G0178	19	12 7/8 - 11 1/2	29 7/8	-	7 3/4	5 7/8	4 1/2	3 1/2	3 1/2	1 1/4	7	8 1/2	2 1/4	3/4	5/8	4	6	10	3	3/4	88	1 1/4	1 1/4
VSE 5-10-40	1G0730	20 1/8	11 1/2	31 1/2	-	7 3/4	5 7/8	4 1/2	3 1/2	3 1/2	1 1/4	7	8 1/2	2 1/4	3/4	5/8	4	6	10	3	3/4	90	1 1/4	1 1/4
VSE 5-11-40	1G0731	21 1/8	11 1/2	32 3/4	-	10 7/8	8 1/4	4 1/2	3 1/2	3 1/2	1 1/4	7	8 1/2	2 1/4	3/4	5/8	4	6	10	3	3/4	93	1 1/4	1 1/4
VSE 5-12-40	1G0732	22 1/4	11 1/2	33 3/4	-	10 7/8	8 1/4	4 1/2	3 1/2	3 1/2	1 1/4	7	8 1/2	2 1/4	3/4	5/8	4	6	10	3	3/4	95	1 1/4	1 1/4
VSE 5-13-55	1G0733	24	12	36 1/8	-	10 7/8	8 1/4	4 1/2	3 1/2	3 1/2	1 1/4	7	8 1/2	2 1/4	3/4	5/8	4	6	10	3	3/4	117	1 1/4	1 1/4
VSE 5-14-55	1G0734	25 1/8	12	37 1/8	-	10 7/8	8 1/4	4 1/2	3 1/2	3 1/2	1 1/4	7	8 1/2	2 1/4	3/4	5/8	4	6	10	3	3/4	119	1 1/4	1 1/4
VSE 5-15-55	1G0735	26 1/8	12	38 1/4	-	10 7/8	8 1/4	4 1/2	3 1/2	3 1/2	1 1/4	7	8 1/2	2 1/4	3/4	5/8	4	6	10	3	3/4	121	1 1/4	1 1/4
VSE 5-16-55	1G0179	27 1/4	12	39 1/4	-	10 7/8	8 1/4	4 1/2	3 1/2	3 1/2	1 1/4	7	8 1/2	2 1/4	3/4	5/8	4	6	10	3	3/4	123	1 1/4	1 1/4
VSE 5-18-75	1G0736	29 5/8	15 3/8	44 7/8	11 3/4	10 7/8	8 1/4	4 1/2	3 1/2	3 1/2	1 1/4	7	8 1/2	2 1/4	3/4	5/8	4	6	10	3	3/4	168	1 1/4	1 1/4
VSE 5-20-75	1G0737	31 3/4	15 3/8	47	11 3/4	10 7/8	8 1/4	4 1/2	3 1/2	3 1/2	1 1/4	7	8 1/2	2 1/4	3/4	5/8	4	6	10	3	3/4	172	1 1/4	1 1/4
VSE 5-22-75	1G0180	33 7/8	15 3/8	49 1/8	11 3/4	10 7/8	8 1/4	4 1/2	3 1/2	3 1/2	1 1/4	7	8 1/2	2 1/4	3/4	5/8	4	6	10	3	3/4	179	1 1/4	1 1/4
VSE 5-24-100	1G0738	36	15 3/8	51 1/4	11 3/4	10 7/8	8 1/4	4 1/2	3 1/2	3 1/2	1 1/4	7	8 1/2	2 1/4	3/4	5/8	4	6	10	3	3/4	187	1 1/4	1 1/4

Dimensions in Inches  
Technical features are subject to change without notice.



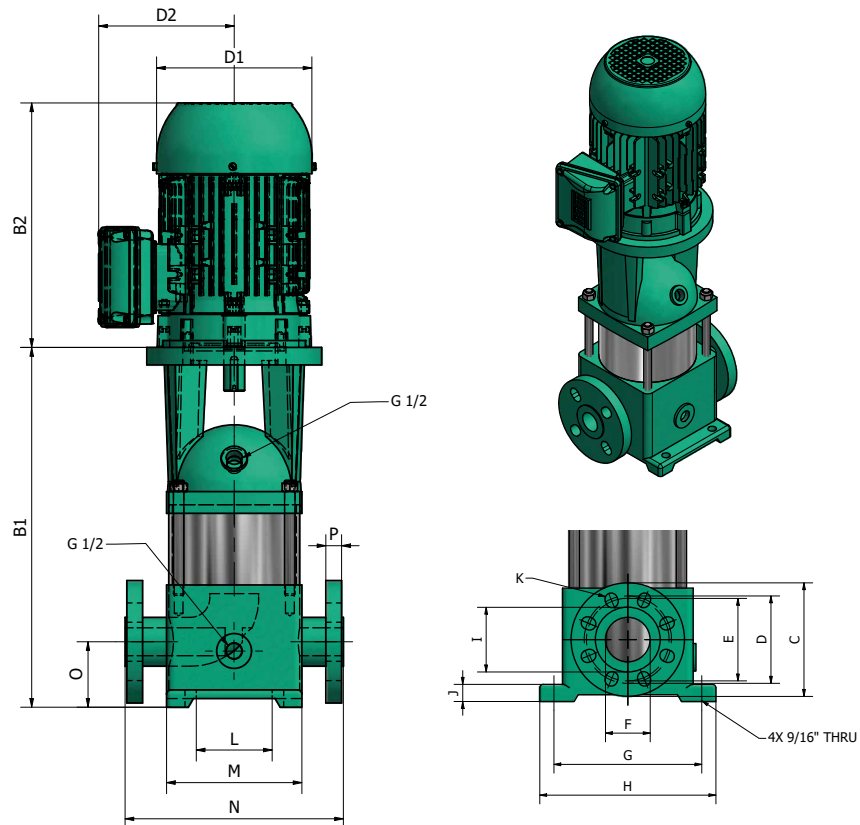
Model	Ref	Size(in)																		Weight (lb)	Suc (in)	Disc (in)		
		B1	B2	B1+B2	D	D1	D2	C	D	E	F	G	H	I	J	K	L	M	N				O	P
VSE 10-1-10-1	1G0646	12 1/2	8 1/8	20 5/8	-	5 1/4	4	5	3 7/8	3 7/8	1 1/2	8 1/2	9 3/4	2 1/2	1	5/8	5 1/8	7 7/8	11	3 1/8	3/4	73	1 1/2	1 1/2
VSE 10-2-20-1	1G0647	15 1/8	9 1/2 - 11 1/2	24 5/8	-	6 1/8	4 3/8	5	3 7/8	3 7/8	1 1/2	8 1/2	9 3/4	2 1/2	1	5/8	5 1/8	7 7/8	11	3 1/8	3/4	90	1 1/2	1 1/2
VSE 10-3-30	1G0181	16 5/8	10 7/8 - 11 1/2	27 1/2	-	7	4 5/8	5	3 7/8	3 7/8	1 1/2	8 1/2	9 3/4	2 1/2	1	5/8	5 1/8	7 7/8	11	3 1/8	3/4	95	1 1/2	1 1/2
VSE 10-4-40	1G0648	17 7/8	11 1/2	28 5/8	-	7	4 5/8	5	3 7/8	3 7/8	1 1/2	8 1/2	9 3/4	2 1/2	1	5/8	5 1/8	7 7/8	11	3 1/8	3/4	108	1 1/2	1 1/2
VSE 10-5-40	1G0649	19	11 1/2	29 7/8	-	7	4 5/8	5	3 7/8	3 7/8	1 1/2	8 1/2	9 3/4	2 1/2	1	5/8	5 1/8	7 7/8	11	3 1/8	3/4	110	1 1/2	1 1/2
VSE 10-6-50	1G0147	21	12	33	-	7 3/4	5 7/8	5	3 7/8	3 7/8	1 1/2	8 1/2	9 3/4	2 1/2	1	5/8	5 1/8	7 7/8	11	3 1/8	3/4	134	1 1/2	1 1/2
VSE 10-7-75	1G0650	23	15 3/8	38 3/8	11 3/4	10 7/8	8 1/4	5	3 7/8	3 7/8	1 1/2	8 1/2	9 3/4	2 1/2	1	5/8	5 1/8	7 7/8	11	3 1/8	3/4	183	1 1/2	1 1/2
VSE 10-8-75	1G0148	24 1/8	15 3/8	39 1/2	11 3/4	10 7/8	8 1/4	5	3 7/8	3 7/8	1 1/2	8 1/2	9 3/4	2 1/2	1	5/8	5 1/8	7 7/8	11	3 1/8	3/4	187	1 1/2	1 1/2
VSE 10-9-75	1G0196	25 3/8	15 3/8	40 3/4	11 3/4	10 7/8	8 1/4	5	3 7/8	3 7/8	1 1/2	8 1/2	9 3/4	2 1/2	1	5/8	5 1/8	7 7/8	11	3 1/8	3/4	190	1 1/2	1 1/2
VSE 10-10-100	1G0149	26 1/2	15 3/8	41 7/8	11 3/4	10 7/8	8 1/4	5	3 7/8	3 7/8	1 1/2	8 1/2	9 3/4	2 1/2	1	5/8	5 1/8	7 7/8	11	3 1/8	3/4	198	1 1/2	1 1/2
VSE 10-12-100	1G0150	28 7/8	15 3/8	44 1/4	11 3/4	10 7/8	8 1/4	5	3 7/8	3 7/8	1 1/2	8 1/2	9 3/4	2 1/2	1	5/8	5 1/8	7 7/8	11	3 1/8	3/4	203	1 1/2	1 1/2
VSE 10-14-150	1G0151	35 1/4	19 7/8	55 1/8	13 3/4	13	10	5	3 7/8	3 7/8	1 1/2	8 1/2	9 3/4	2 1/2	1	5/8	5 1/8	7 7/8	11	3 1/8	3/4	273	1 1/2	1 1/2
VSE 10-16-150	1G0651	37 1/2	19 7/8	57 1/2	13 3/4	13	10	5	3 7/8	3 7/8	1 1/2	8 1/2	9 3/4	2 1/2	1	5/8	5 1/8	7 7/8	11	3 1/8	3/4	278	1 1/2	1 1/2
VSE 10-17-150	1G0652	38 3/4	19 7/8	58 5/8	13 3/4	13	10	5	3 7/8	3 7/8	1 1/2	8 1/2	9 3/4	2 1/2	1	5/8	5 1/8	7 7/8	11	3 1/8	3/4	287	1 1/2	1 1/2

# Dimensional VSE Pumps

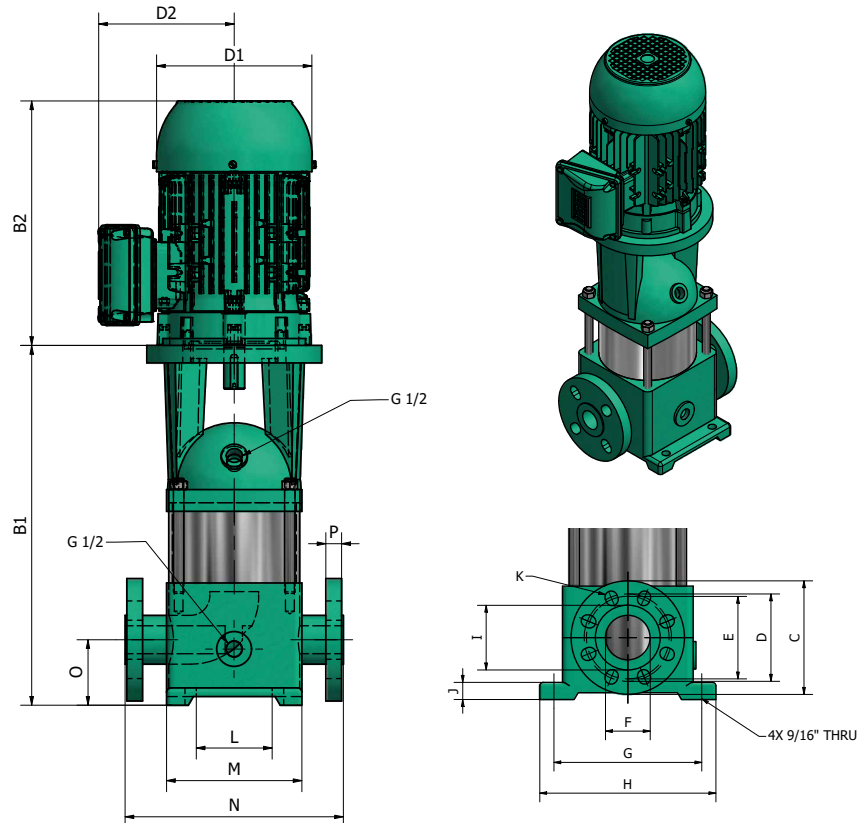
## VSE 15



www.wdmpumps.com



Model	Ref	Size(in)																			Weight (lb)	Suc (in)	Disc (in)	
		B1	B2	B1+B2	D	D1	D2	C	D	E	F	G	H	I	J	K	L	M	N	O				P
VSE 15-1-20-1	1G0653	14	9 1/2 - 11 1/2	23 1/2	-	6 1/8	4 3/8	6	4 3/4	4 3/4	2	8 1/2	10 1/8	3	1	3/4	5 1/8	7 3/8	11 3/4	3 1/2	1	104	2	2
VSE 15-2-40	1G0654	16	11 1/2	26 3/4	-	7	4 5/8	6	4 3/4	4 3/4	2	8 1/2	10 1/8	3	1	3/4	5 1/8	7 3/8	11 3/4	3 1/2	1	119	2	2
VSE 15-3-50	1G0655	18 3/4	12	30 3/4	-	7 3/4	5 7/8	6	4 3/4	4 3/4	2	8 1/2	10 1/8	3	1	3/4	5 1/8	7 3/8	11 3/4	3 1/2	1	143	2	2
VSE 15-4-75	1G0152	21 3/8	15 3/8	36 3/4	11 3/4	10 7/8	8 1/4	6	4 3/4	4 3/4	2	8 1/2	10 1/8	3	1	3/4	5 1/8	7 3/8	11 3/4	3 1/2	1	185	2	2
VSE 15-5-100	1G0153	23 1/8	15 3/8	38 1/2	11 3/4	10 7/8	8 1/4	6	4 3/4	4 3/4	2	8 1/2	10 1/8	3	1	3/4	5 1/8	7 3/8	11 3/4	3 1/2	1	201	2	2
VSE 15-6-150	1G0656	26 1/8	19 7/8	46	13 3/4	13	10	6	4 3/4	4 3/4	2	8 1/2	10 1/8	3	1	3/4	5 1/8	7 3/8	11 3/4	3 1/2	1	271	2	2
VSE 15-7-150	1G0657	27 3/4	19 7/8	47 5/8	13 3/4	13	10	6	4 3/4	4 3/4	2	8 1/2	10 1/8	3	1	3/4	5 1/8	7 3/8	11 3/4	3 1/2	1	276	2	2
VSE 15-8-150	1G0154	29 5/8	19 7/8	49 1/2	13 3/4	13	10	6	4 3/4	4 3/4	2	8 1/2	10 1/8	3	1	3/4	5 1/8	7 3/8	11 3/4	3 1/2	1	278	2	2
VSE 15-9-200	1G0658	31 3/8	19 7/8	51 1/4	13 3/4	13	10	6	4 3/4	4 3/4	2	8 1/2	10 1/8	3	1	3/4	5 1/8	7 3/8	11 3/4	3 1/2	1	315	2	2
VSE 15-10-200	1G0155	33 1/8	19 7/8	53	13 3/4	13	10	6	4 3/4	4 3/4	2	8 1/2	10 1/8	3	1	3/4	5 1/8	7 3/8	11 3/4	3 1/2	1	317	2	2
VSE 15-12-250	1G0156	36 3/4	22	58 3/4	13 3/4	13	13	6	4 3/4	4 3/4	2	8 1/2	10 1/8	3	1	3/4	5 1/8	7 3/8	11 3/4	3 1/2	1	346	2	2



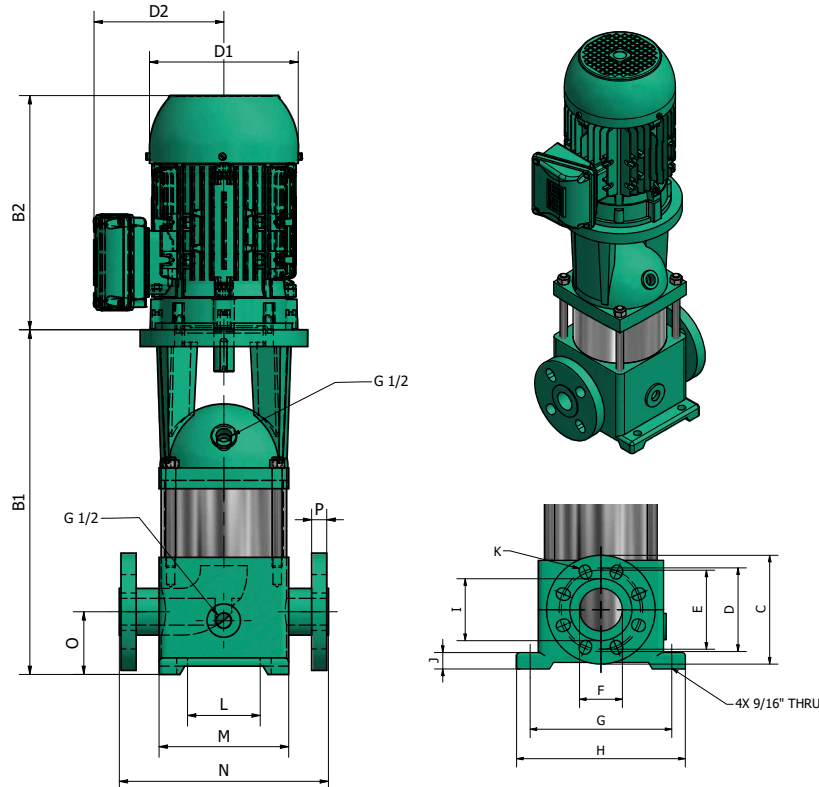
Model	Ref	Size(in)																			Weight (lb)	Suc (in)	Disc (in)	
		B1	B2	B1+B2	D	D1	D2	C	D	E	F	G	H	I	J	K	L	M	N	O				P
VSE 20-1-30	1G0739	14 1/4	10 3/4 - 11 1/2	25	-	7	4 5/8	6	4 3/4	4 3/4	2	8 1/2	10 1/8	3	1	3/4	5 1/8	7 3/8	11 3/4	3 1/2	1	110	2	2
VSE 20-2-55	1G0740	16 3/4	12	28 3/4	-	7 3/4	5 7/8	6	4 3/4	4 3/4	2	8 1/2	10 1/8	3	1	3/4	5 1/8	7 3/8	11 3/4	3 1/2	1	141	2	2
VSE 20-3-75	1G0741	19 1/4	15 3/8	34 3/4	-	10 3/4	8 1/4	6	4 3/4	4 3/4	2	8 1/2	10 1/8	3	1	3/4	5 1/8	7 3/8	11 3/4	3 1/2	1	190	2	2
VSE 20-4-100	1G0742	21 1/8	15 3/8	36 1/2	11 3/4	10 7/8	8 1/4	6	4 3/4	4 3/4	2	8 1/2	10 1/8	3	1	3/4	5 1/8	7 3/8	11 3/4	3 1/2	1	198	2	2
VSE 20-5-150	1G0743	24 1/8	19 7/8	44	13 3/4	13	10	6	4 3/4	4 3/4	2	8 1/2	10 1/8	3	1	3/4	5 1/8	7 3/8	11 3/4	3 1/2	1	269	2	2
VSE 20-6-150	1G0197	25 7/8	19 7/8	45 3/4	13 3/4	13	10	6	4 3/4	4 3/4	2	8 1/2	10 1/8	3	1	3/4	5 1/8	7 3/8	11 3/4	3 1/2	1	271	2	2
VSE 20-7-200	1G0744	27 3/4	19 7/8	47 1/2	13 3/4	13	10	6	4 3/4	4 3/4	2	8 1/2	10 1/8	3	1	3/4	5 1/8	7 3/8	11 3/4	3 1/2	1	306	2	2
VSE 20-8-200	1G0745	29 3/8	19 7/8	49 1/2	13 3/4	13	10	6	4 3/4	4 3/4	2	8 1/2	10 1/8	3	1	3/4	5 1/8	7 3/8	11 3/4	3 1/2	1	311	2	2
VSE 20-10-250	1G0746	33	22	55	13 3/4	13	10	6	4 3/4	4 3/4	2	8 1/2	10 1/8	3	1	3/4	5 1/8	7 3/8	11 3/4	3 1/2	1	340	2	2

# Dimensional VSE Pumps

## VSE 32

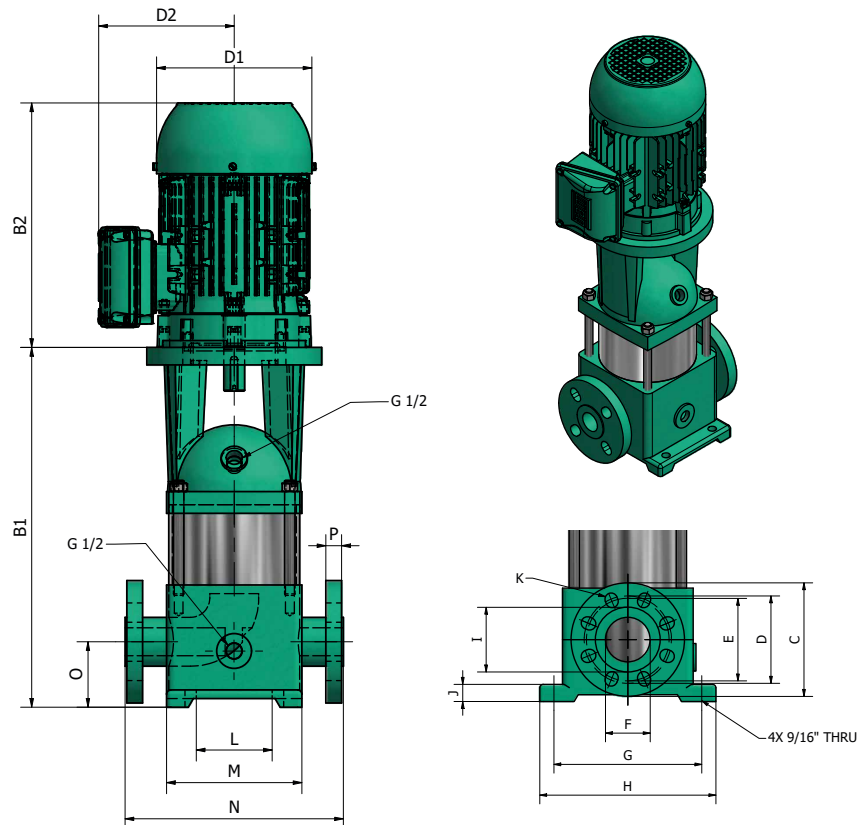


www.wdmpumps.com



Model	Ref	Size(in)																		Weight (lb)	Suc (in)	Disc (in)		
		B1	B2	B1+B2	D	D1	D2	C	D	E	F	G	H	I	J	K	L	M	N				O	P
VSE 32-1-1-30	1G0677	18 3/4	10.8 / 11.5	29 1/2	-	7	4 5/8	7	5 1/2	5 1/2	2 1/2	9 1/2	11 1/2	3 1/2	1	3/4	6 1/2	8 7/8	12 1/2	4	1 1/8	176	2 1/2	2 1/2
VSE 32-1-40	1G0678	18 3/4	11 1/2	29 1/2	-	7	4 5/8	7	5 1/2	5 1/2	2 1/2	9 1/2	11 1/2	3 1/2	1	3/4	6 1/2	8 7/8	12 1/2	4	1 1/8	187	2 1/2	2 1/2
VSE 32-2-2-75	1G0679	22 5/8	15 3/8	38	11 3/4	10 7/8	8 1/4	7	5 1/2	5 1/2	2 1/2	9 1/2	11 1/2	3 1/2	1	3/4	6 1/2	8 7/8	12 1/2	4	1 1/8	227	2 1/2	2 1/2
VSE 32-2-1-75	1G0680	22 5/8	15 3/8	38	11 3/4	10 7/8	8 1/4	7	5 1/2	5 1/2	2 1/2	9 1/2	11 1/2	3 1/2	1	3/4	6 1/2	8 7/8	12 1/2	4	1 1/8	227	2 1/2	2 1/2
VSE 32-2-100	1G0681	22 5/8	15 3/8	38	11 3/4	10 7/8	8 1/4	7	5 1/2	5 1/2	2 1/2	9 1/2	11 1/2	3 1/2	1	3/4	6 1/2	8 7/8	12 1/2	4	1 1/8	236	2 1/2	2 1/2
VSE 32-3-2-150	1G0682	29 3/4	19 7/8	49 5/8	13 3/4	13	10	7	5 1/2	5 1/2	2 1/2	9 1/2	11 1/2	3 1/2	1	3/4	6 1/2	8 7/8	12 1/2	4	1 1/8	326	2 1/2	2 1/2
VSE 32-3-150	1G0157	29 3/4	19 7/8	49 5/8	13 3/4	13	10	7	5 1/2	5 1/2	2 1/2	9 1/2	11 1/2	3 1/2	1	3/4	6 1/2	8 7/8	12 1/2	4	1 1/8	326	2 1/2	2 1/2
VSE 32-4-150	1G0158	32 1/2	19 7/8	52 3/8	13 3/4	13	10	7	5 1/2	5 1/2	2 1/2	9 1/2	11 1/2	3 1/2	1	3/4	6 1/2	8 7/8	12 1/2	4	1 1/8	348	2 1/2	2 1/2
VSE 32-4-2-150	1G0683	32 1/2	19 7/8	52 3/8	13 3/4	13	10	7	5 1/2	5 1/2	2 1/2	9 1/2	11 1/2	3 1/2	1	3/4	6 1/2	8 7/8	12 1/2	4	1 1/8	408	2 1/2	2 1/2
VSE 32-5-2-200	1G0159	35 1/4	19 7/8	55 1/8	13 3/4	13	10	7	5 1/2	5 1/2	2 1/2	9 1/2	11 1/2	3 1/2	1	3/4	6 1/2	8 7/8	12 1/2	4	1 1/8	417	2 1/2	2 1/2
VSE 32-5-250	1G0684	35 1/4	19 7/8	55 1/8	13 3/4	13	10	7	5 1/2	5 1/2	2 1/2	9 1/2	11 1/2	3 1/2	1	3/4	6 1/2	8 7/8	12 1/2	4	1 1/8	441	2 1/2	2 1/2
VSE 32-6-2-250	1G0685	38	19 7/8	57 7/8	13 3/4	13	10	7	5 1/2	5 1/2	2 1/2	9 1/2	11 1/2	3 1/2	1	3/4	6 1/2	8 7/8	12 1/2	4	1 1/8	448	2 1/2	2 1/2
VSE 32-6-250	1G0182	38	19 7/8	57 7/8	13 3/4	13	10	7	5 1/2	5 1/2	2 1/2	9 1/2	11 1/2	3 1/2	1	3/4	6 1/2	8 7/8	12 1/2	4	1 1/8	448	2 1/2	2 1/2
VSE 32-7-2-300	1G0686	40 3/4	19 7/8	60 5/8	13 3/4	13	10	7	5 1/2	5 1/2	2 1/2	9 1/2	11 1/2	3 1/2	1	3/4	6 1/2	8 7/8	12 1/2	4	1 1/8	573	2 1/2	2 1/2
VSE 32-7-300	1G0183	40 3/4	19 7/8	60 5/8	13 3/4	13	10	7	5 1/2	5 1/2	2 1/2	9 1/2	11 1/2	3 1/2	1	3/4	6 1/2	8 7/8	12 1/2	4	1 1/8	573	2 1/2	2 1/2
VSE 32-8-2-400	1G0687	43 1/2	26	69 1/2	15 3/4	16 1/2	12	7	5 1/2	5 1/2	2 1/2	9 1/2	11 1/2	3 1/2	1	3/4	6 1/2	8 7/8	12 1/2	4	1 1/8	761	2 1/2	2 1/2
VSE 32-8-400	1G0688	43 1/2	26	69 1/2	15 3/4	16 1/2	12	7	5 1/2	5 1/2	2 1/2	9 1/2	11 1/2	3 1/2	1	3/4	6 1/2	8 7/8	12 1/2	4	1 1/8	761	2 1/2	2 1/2
VSE 32-9-2-400	1G0689	46 1/4	26	72 1/4	15 3/4	16 1/2	12	7	5 1/2	5 1/2	2 1/2	9 1/2	11 1/2	3 1/2	1	3/4	6 1/2	8 7/8	12 1/2	4	1 1/8	767	2 1/2	2 1/2
VSE 32-9-400	1G0184	46 1/4	26	72 1/4	15 3/4	16 1/2	12	7	5 1/2	5 1/2	2 1/2	9 1/2	11 1/2	3 1/2	1	3/4	6 1/2	8 7/8	12 1/2	4	1 1/8	767	2 1/2	2 1/2
VSE 32-10-2-400	1G0690	49	26	75	15 3/4	16 1/2	12	7	5 1/2	5 1/2	2 1/2	9 1/2	11 1/2	3 1/2	1	3/4	6 1/2	8 7/8	12 1/2	4	1 1/8	772	2 1/2	2 1/2

Dimensions in Inches  
Technical features are subject to change without notice.



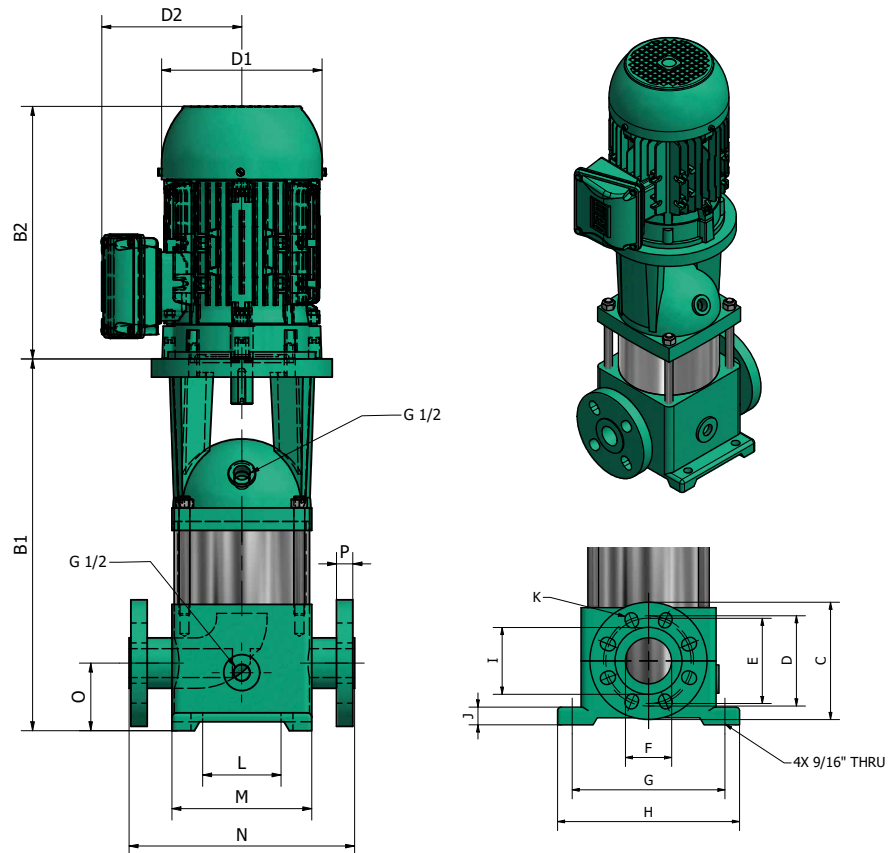
Model	Ref	Size (in)																			Weight (lb)	Suc (in)	Disc (in)	
		B1	B2	B1+B2	D	D1	D2	C	D	E	F	G	H	I	J	K	L	M	N	O				P
VSE 45-1-75	1G0659	22 1/8	16 7/8	39	11 3/4	10 1/4	8 1/4	7 1/2	6	6	3	9 1/2	11 3/4	4 1/4	1	3/4	6 3/4	8 7/8	12 5/8	4 1/8	1 1/8	238	3	3
VSE 45-1-100	1G0660	22 1/8	16 7/8	39	11 3/4	10 1/4	8 1/4	7 1/2	6	6	3	9 1/2	11 3/4	4 1/4	1	3/4	6 3/4	8 7/8	12 5/8	4 1/8	1 1/8	249	3	3
VSE 45-2-150	1G0661	29 1/2	19 1/4	48 3/4	13 3/4	13	10	7 1/2	6	6	3	9 1/2	11 3/4	4 1/4	1	3/4	6 3/4	8 7/8	12 5/8	4 1/8	1 1/8	340	3	3
VSE 45-2-200	1G0185	29 1/2	19 1/4	48 3/4	13 3/4	13	10	7 1/2	6	6	3	9 1/2	11 3/4	4 1/4	1	3/4	6 3/4	8 7/8	12 5/8	4 1/8	1 1/8	412	3	3
VSE 45-3-2-250	1G0662	32 5/8	21 5/8	54 1/4	13 3/4	13	10	7 1/2	6	6	3	9 1/2	11 3/4	4 1/4	1	3/4	6 3/4	8 7/8	12 5/8	4 1/8	1 1/8	443	3	3
VSE 45-3-250	1G0186	32 5/8	21 5/8	54 1/4	13 3/4	13	10	7 1/2	6	6	3	9 1/2	11 3/4	4 1/4	1	3/4	6 3/4	8 7/8	12 5/8	4 1/8	1 1/8	443	3	3
VSE 45-4-300	1G0187	35 3/4	26	61 3/4	15 3/4	16 1/2	12 1/4	7 1/2	6	6	3	9 1/2	11 3/4	4 1/4	1	3/4	6 3/4	8 7/8	12 5/8	4 1/8	1 1/8	569	3	3
VSE 45-4-2-300	1G0663	35 3/4	23 1/4	59	13 3/4	14 1/8	11 1/4	7 1/2	6	6	3	9 1/2	11 3/4	4 1/4	1	3/4	6 3/4	8 7/8	12 5/8	4 1/8	1 1/8	569	3	3
VSE 45-5-2-400	1G0664	38 7/8	26	64 7/8	15 3/4	16 1/2	12 1/4	7 1/2	6	6	3	9 1/2	11 3/4	4 1/4	1	3/4	6 3/4	8 7/8	12 5/8	4 1/8	1 1/8	752	3	3
VSE 45-5-400	1G0188	38 7/8	26	64 7/8	15 3/4	16 1/2	12 1/4	7 1/2	6	6	3	9 1/2	11 3/4	4 1/4	1	3/4	6 3/4	8 7/8	12 5/8	4 1/8	1 1/8	752	3	3
VSE 45-6-2-500	1G0665	42	26	68	15 3/4	16 1/2	12 1/4	7 1/2	6	6	3	9 1/2	11 3/4	4 1/4	1	3/4	6 3/4	8 7/8	12 5/8	4 1/8	1 1/8	805	3	3
VSE 45-6-500	1G0666	42	26	68	15 3/4	16 1/2	12 1/4	7 1/2	6	6	3	9 1/2	11 3/4	4 1/4	1	3/4	6 3/4	8 7/8	12 5/8	4 1/8	1 1/8	805	3	3
VSE 45-7-2-600	1G0667	45 1/4	27 1/2	72 3/4	17 3/4	26 3/8	13 5/8	7 1/2	6	6	3	9 1/2	11 3/4	4 1/4	1	3/4	6 3/4	8 7/8	12 5/8	4 1/8	1 1/8	959	3	3
VSE 45-7-600	1G0199	45 1/4	27 1/2	72 3/4	17 3/4	18 1/2	13 5/8	7 1/2	6	6	3	9 1/2	11 3/4	4 1/4	1	3/4	6 3/4	8 7/8	12 5/8	4 1/8	1 1/8	959	3	3

# Dimensional VSE Pumps

## VSE 64

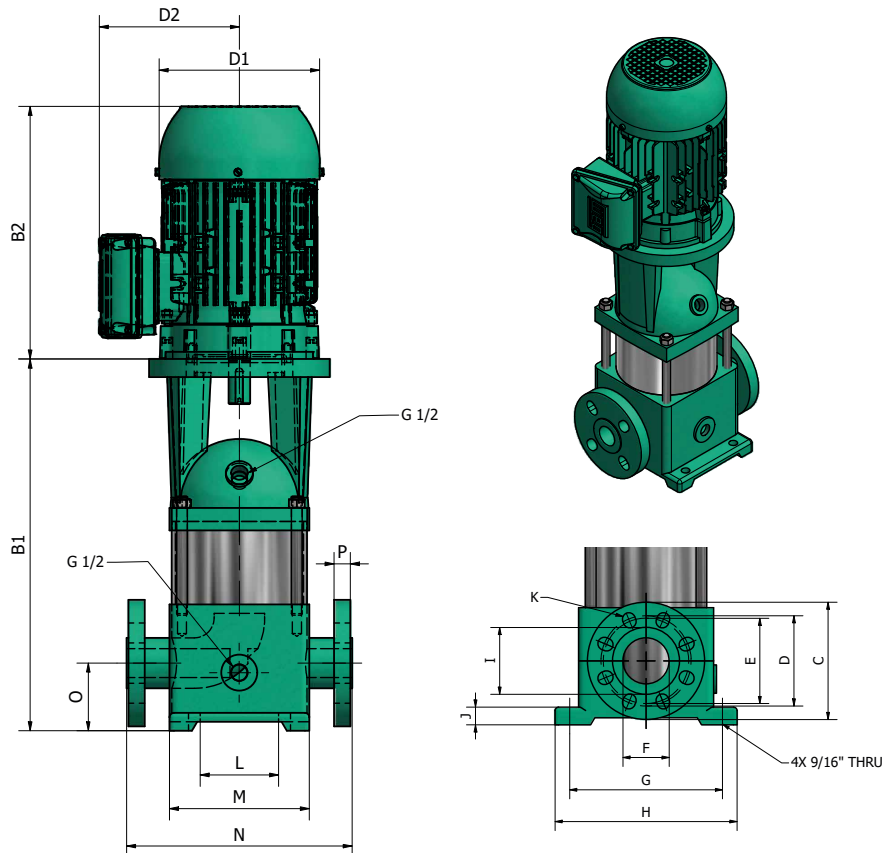


www.wdmpumps.com



Model	Ref	Size(in)																			Weight (lb)	Suc (in)	Disc (in)	
		B1	B2	B1+B2	D	D1	D2	C	D	E	F	G	H	I	J	K	L	M	N	O				P
VSE 64-1-1-100	1G0747	22 1/8	16 7/8	39	11 3/4	10 1/4	8 1/4	9	7 1/2	7 1/2	4	10 1/2	13	5 1/4	1 3/4	3/4	7 1/2	9 7/8	14 3/8	5 1/2	1 1/8	254	4	4
VSE 64-1-150	1G0748	26 3/8	19 1/4	45 3/4	13 3/4	13	10	9	7 1/2	7 1/2	4	10 1/2	13	5 1/4	1 3/4	3/4	7 1/2	9 7/8	14 3/8	5 1/2	1 1/8	335	4	4
VSE 64-2-2-200	1G0189	29 1/2	7 2/4	37 1/4	13 3/4	13	10	9	7 1/2	7 1/2	4	10 1/2	13	5 1/4	1 3/4	3/4	7 1/2	9 7/8	14 3/8	5 1/2	1 1/8	419	4	4
VSE 64-2-300	1G0749	29 1/2	23 1/4	53	13 3/4	14 1/8	11 1/4	9	7 1/2	7 1/2	4	10 1/2	13	5 1/4	1 3/4	3/4	7 1/2	9 7/8	14 3/8	5 1/2	1 1/8	556	4	4
VSE 64-3-2-300	1G0190	32 7/8	23 1/4	56 1/4	13 3/4	14 1/8	11 1/4	9	7 1/2	7 1/2	4	10 1/2	13	5 1/4	1 3/4	3/4	7 1/2	9 7/8	14 3/8	5 1/2	1 1/8	567	4	4
VSE 64-3-400	1G0191	32 7/8	26	59	15 3/4	16 1/2	12 1/4	9	7 1/2	7 1/2	4	10 1/2	13	5 1/4	1 3/4	3/4	7 1/2	9 7/8	14 3/8	5 1/2	1 1/8	739	4	4
VSE 64-4-2-500	1G0750	36 1/4	26	62 1/8	15 3/4	16 1/2	11 3/4	9	7 1/2	7 1/2	4	10 1/2	13	5 1/4	1 3/4	3/4	7 1/2	9 7/8	14 3/8	5 1/2	1 1/8	794	4	4
VSE 64-4-600	1G0751	36 1/4	27 1/2	63 3/4	17 3/4	18 1/2	17 3/4	9	7 1/2	7 1/2	4	10 1/2	13	5 1/4	1 3/4	3/4	7 1/2	9 7/8	14 3/8	5 1/2	1 1/8	937	4	4
VSE 64-5-2-600	1G0752	39 3/8	27 1/2	67	17 3/4	18 1/2	17 3/4	9	7 1/2	7 1/2	4	10 1/2	13	5 1/4	1 3/4	3/4	7 1/2	9 7/8	14 3/8	5 1/2	1 1/8	948	4	4





Model	Ref	Size(in)																		Weight (lb)	Suc (in)	Disc (in)		
		B1	B2	B1+B2	D	D1	D2	C	D	E	F	G	H	I	J	K	L	M	N				O	P
VSE 90-1-1-150	1G0668	22 1/2	19 1/4	41 3/4	13 3/4	13	10	9	7 1/2	7 1/2	4	10 1/2	13	5 1/4	1 3/4	3/4	7 7/8	10 1/4	15	5 1/2	1 1/8	406	4	4
VSE 90-1-200	1G0669	22 1/2	19 1/4	41 3/4	13 3/4	13	10	9	7 1/2	7 1/2	4	10 1/2	13	5 1/4	1 3/4	3/4	7 7/8	10 1/4	15	5 1/2	1 1/8	406	4	4
VSE 90-2-2-250	1G0670	30 3/8	21 5/8	52 1/8	13 3/4	13	10	9	7 1/2	7 1/2	4	10 1/2	13	5 1/4	1 3/4	3/4	7 7/8	10 1/4	15	5 1/2	1 1/8	582	4	4
VSE 90-2-1-300	1G0671	30 3/8	23 1/4	53 5/8	13 3/4	14 1/8	11 1/4	9	7 1/2	7 1/2	4	10 1/2	13	5 1/4	1 3/4	3/4	7 7/8	10 1/4	15	5 1/2	1 1/8	582	4	4
VSE 90-2-400	1G0672	30 3/8	26	56 3/8	15 3/4	16 1/2	12 1/4	9	7 1/2	7 1/2	4	10 1/2	13	5 1/4	1 3/4	3/4	7 7/8	10 1/4	15	5 1/2	1 1/8	725	4	4
VSE 90-3-2-500	1G0673	34	26	60	15 3/4	16 1/2	12 1/4	9	7 1/2	7 1/2	4	10 1/2	13	5 1/4	1 3/4	3/4	7 7/8	10 1/4	15	5 1/2	1 1/8	800	4	4
VSE 90-3-1-500	1G0674	34	26	60	15 3/4	16 1/2	12 1/4	9	7 1/2	7 1/2	4	10 1/2	13	5 1/4	1 3/4	3/4	7 7/8	10 1/4	15	5 1/2	1 1/8	800	4	4
VSE 90-3-600	1G0675	34	27 1/2	61 5/8	17 3/4	18 1/2	13 5/8	9	7 1/2	7 1/2	4	10 1/2	13	5 1/4	1 3/4	3/4	7 7/8	10 1/4	15	5 1/2	1 1/8	800	4	4
VSE 90-4-2-600	1G0676	37 5/8	27 1/2	65 1/4	17 3/4	18 1/2	13 5/8	9	7 1/2	7 1/2	4	10 1/2	13	5 1/4	1 3/4	3/4	7 7/8	10 1/4	15	5 1/2	1 1/8	948	4	4

# Repair Kit Seal

## VSE Pumps Flexible Coupled



[www.wdmpumps.com](http://www.wdmpumps.com)

Complete	Repair Kit Seal
1G0612	0G0612RK
1G0722	0G0722RK
1G0613	0G0613RK
1G0614	0G0614RK
1G0615	0G0615RK
1G0616	0G0616RK
1G0617	0G0617RK
1G0136	0G0136RK
1G0618	0G0618RK
1G0137	0G0137RK
1G0619	0G0619RK
1G0138	0G0138RK
1G0620	0G0620RK
1G0162	0G0162RK
1G0621	0G0621RK
1G0140	0G0140RK
1G0141	0G0141RK
1G0622	0G0622RK
1G0623	0G0623RK
1G0624	0G0624RK
1G0625	0G0625RK
1G0626	0G0626RK
1G0627	0G0627RK
1G0628	0G0628RK
1G0629	0G0629RK
1G0142	0G0142RK
1G0630	0G0630RK
1G0631	0G0631RK
1G0143	0G0143RK
1G0632	0G0632RK
1G0633	0G0633RK
1G0144	0G0144RK
1G0145	0G0145RK
1G0634	0G0634RK
1G0635	0G0635RK
1G0636	0G0636RK
1G0146	0G0146RK
1G0637	0G0637RK
1G0638	0G0638RK
1G0639	0G0639RK

Complete	Repair Kit Seal
1G0640	0G0640RK
1G0641	0G0641RK
1G0642	0G0642RK
1G0643	0G0643RK
1G0644	0G0644RK
1G0170	0G0170RK
1G0645	0G0645RK
1G0171	0G0171RK
1G0723	0G0723RK
1G0724	0G0724RK
1G0725	0G0725RK
1G0726	0G0726RK
1G0727	0G0727RK
1G0728	0G0728RK
1G0729	0G0729RK
1G0177	0G0177RK
1G0178	0G0178RK
1G0730	0G0730RK
1G0731	0G0731RK
1G0732	0G0732RK
1G0733	0G0733RK
1G0734	0G0734RK
1G0735	0G0735RK
1G0179	0G0179RK
1G0736	0G0736RK
1G0737	0G0737RK
1G0180	0G0180RK
1G0738	0G0738RK
1G0646	0G0646RK
1G0647	0G0647RK
1G0181	0G0181RK
1G0648	0G0648RK
1G0649	0G0649RK
1G0147	0G0147RK
1G0650	0G0650RK
1G0148	0G0148RK
1G0196	0G0196RK
1G0149	0G0149RK
1G0150	0G0150RK
1G0151	0G0151RK

Complete	Repair Kit Seal
1G0651	0G0651RK
1G0652	0G0652RK
1G0653	0G0653RK
1G0654	0G0654RK
1G0655	0G0655RK
1G0152	0G0152RK
1G0153	0G0153RK
1G0656	0G0656RK
1G0657	0G0657RK
1G0154	0G0154RK
1G0658	0G0658RK
1G0155	0G0155RK
1G0156	0G0156RK
1G0739	0G0739RK
1G0740	0G0740RK
1G0741	0G0741RK
1G0742	0G0742RK
1G0743	0G0743RK
1G0197	0G0197RK
1G0744	0G0744RK
1G0745	0G0745RK
1G0746	0G0746RK
1G0677	0G0677RK
1G0678	0G0678RK
1G0679	0G0679RK
1G0680	0G0680RK
1G0681	0G0681RK
1G0682	0G0682RK
1G0157	0G0157RK
1G0158	0G0158RK
1G0683	0G0683RK
1G0159	0G0159RK
1G0684	0G0684RK
1G0685	0G0685RK
1G0182	0G0182RK
1G0686	0G0686RK
1G0183	0G0183RK
1G0687	0G0687RK
1G0688	0G0688RK
1G0689	0G0689RK

Complete	Repair Kit Seal
1G0184	0G0184RK
1G0690	0G0690RK
1G0659	0G0659RK
1G0660	0G0660RK
1G0661	0G0661RK
1G0185	0G0185RK
1G0662	0G0662RK
1G0186	0G0186RK
1G0187	0G0187RK
1G0663	0G0663RK
1G0664	0G0664RK
1G0188	0G0188RK
1G0665	0G0665RK
1G0666	0G0666RK
1G0667	0G0667RK
1G0199	0G0199RK
1G0747	0G0747RK
1G0748	0G0748RK
1G0189	0G0189RK
1G0749	0G0749RK
1G0190	0G0190RK
1G0191	0G0191RK
1G0750	0G0750RK
1G0751	0G0751RK
1G0752	0G0752RK
1G0668	0G0668RK
1G0669	0G0669RK
1G0670	0G0670RK
1G0671	0G0671RK
1G0672	0G0672RK
1G0673	0G0673RK
1G0674	0G0674RK
1G0675	0G0675RK
1G0676	0G0676RK

**This page intentionally left blank.**

# VSE Pumps

## Performance Curve

### VSE 1

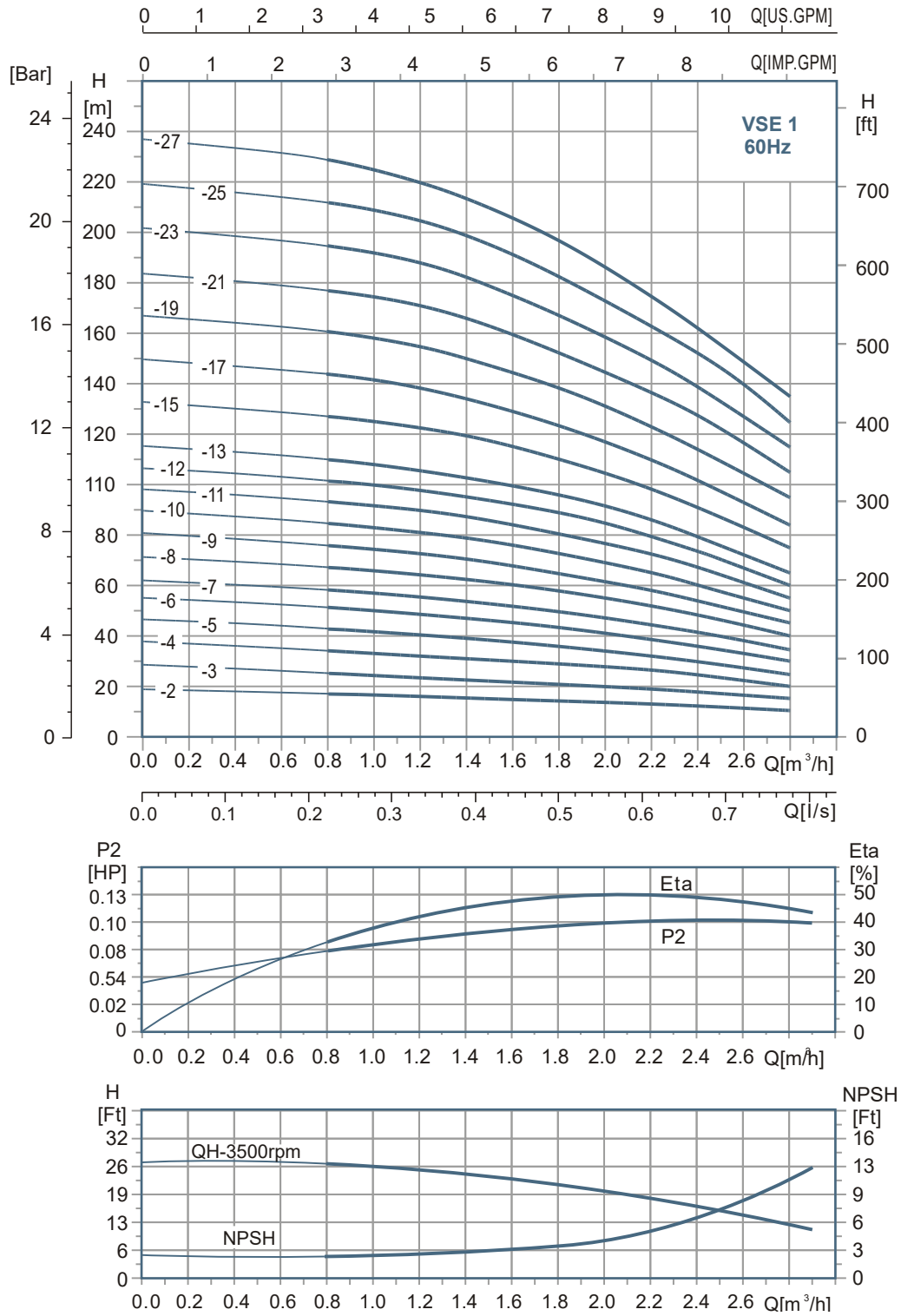


[www.wdmpumps.com](http://www.wdmpumps.com)

Pump Features					
Pump Type		Design		Impeller	
In Line		Flexible Coupled		Enclosed, Stainless Steel	
Mechanical Seal			Fluid Temperature Range		
NJK-12 (1/2")			- 4°F to 248°F		
Model	Reference	Stages	Ø Suction	Ø Discharge	Ø Impeller
VSE 1-2-5-1	1G0612	2	1 1/4"	1 1/4"	3"
VSE 1-3-5-1	1G0722	3	1 1/4"	1 1/4"	3"
VSE 1-4-5-1	1G0613	4	1 1/4"	1 1/4"	3"
VSE 1-5-7-1	1G0614	5	1 1/4"	1 1/4"	3"
VSE 1-6-7-1	1G0615	6	1 1/4"	1 1/4"	3"
VSE 1-7-10-1	1G0616	7	1 1/4"	1 1/4"	3"
VSE 1-8-10-1	1G0617	8	1 1/4"	1 1/4"	3"
VSE 1-9-10-1	1G0136	9	1 1/4"	1 1/4"	3"
VSE 1-10-15-1	1G0618	10	1 1/4"	1 1/4"	3"
VSE 1-11-15-1	1G0137	11	1 1/4"	1 1/4"	3"
VSE 1-12-15-1	1G0619	12	1 1/4"	1 1/4"	3"
VSE 1-13-15	1G0138	13	1 1/4"	1 1/4"	3"
VSE 1-15-20-1	1G0620	15	1 1/4"	1 1/4"	3"
VSE 1-17-20-1	1G0162	17	1 1/4"	1 1/4"	3"
VSE 1-19-30	1G0621	19	1 1/4"	1 1/4"	3"
VSE 1-21-30	1G0140	21	1 1/4"	1 1/4"	3"
VSE 1-23-30	1G0141	23	1 1/4"	1 1/4"	3"
VSE 1-25-30	1G0622	25	1 1/4"	1 1/4"	3"
VSE 1-27-40	1G0623	40	1 1/4"	1 1/4"	3"

Motor Features		
Drive	Speed (rpm)	Frequency (Hz)
Electric	3500	60
Power (HP)	Phase	Voltage (V)
0.5	1	115/230
0.5	1	115/230
0.5	1	115/230
0.75	1	115/230
0.75	1	115/230
1	1	115/230
1	1	115/230
1	1	115/230
1.5	1	115/230
1.5	1	115/230
1.5	1	115/230
1.5	3	230/460
2	1	115/230
2	1	115/230
3	3	230/460
3	3	230/460
3	3	230/460
3	3	230/460
4	3	230/460

2 Poles (3450 rpm)



# VSE Pumps

## Performance Curve

### VSE 3

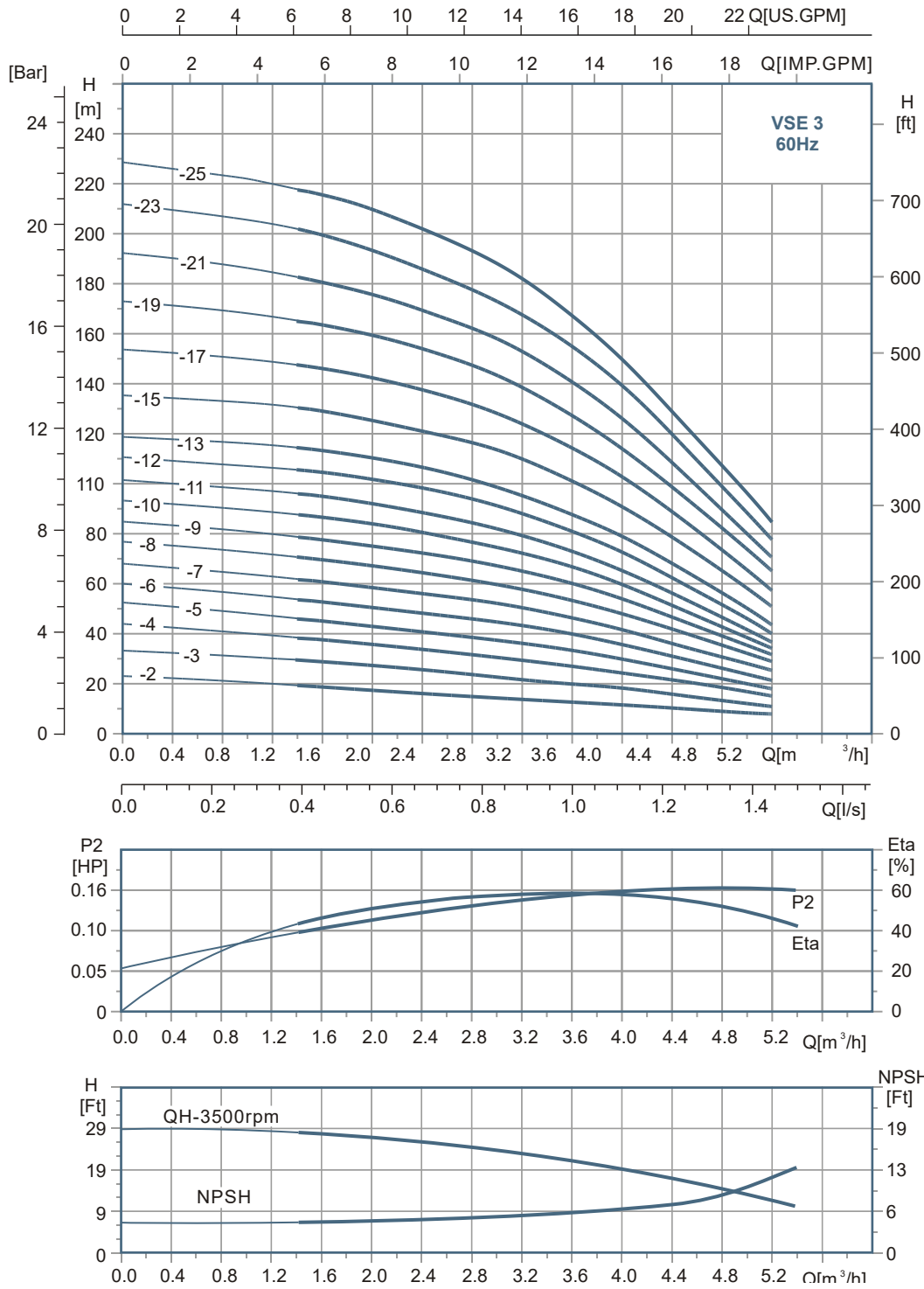


[www.wdmpumps.com](http://www.wdmpumps.com)

Pump Features					
Pump Type		Design		Impeller	
In Line		Flexible Coupled		Enclosed, Stainless Steel	
Mechanical Seal			Fluid Temperature Range		
NJK-12 (1/2")			- 4°F to 248°F		
Model	Reference	Stages	Ø Suction	Ø Discharge	Ø Impeller
VSE 3-2-5-1	1G0624	2	1 1/4"	1 1/4"	3"
VSE 3-3-7-1	1G0625	3	1 1/4"	1 1/4"	3"
VSE 3-4-7-1	1G0626	4	1 1/4"	1 1/4"	3"
VSE 3-5-10-1	1G0627	5	1 1/4"	1 1/4"	3"
VSE 3-6-15-1	1G0628	6	1 1/4"	1 1/4"	3"
VSE 3-7-15-1	1G0629	7	1 1/4"	1 1/4"	3"
VSE 3-8-15	1G0142	8	1 1/4"	1 1/4"	3"
VSE 3-9-20-1	1G0630	9	1 1/4"	1 1/4"	3"
VSE 3-10-20-1	1G0631	10	1 1/4"	1 1/4"	3"
VSE 3-11-20	1G0143	11	1 1/4"	1 1/4"	3"
VSE 3-12-30	1G0632	12	1 1/4"	1 1/4"	3"
VSE 3-13-30	1G0633	13	1 1/4"	1 1/4"	3"
VSE 3-15-30	1G0144	15	1 1/4"	1 1/4"	3"
VSE 3-17-30	1G0145	17	1 1/4"	1 1/4"	3"
VSE 3-19-40	1G0634	19	1 1/4"	1 1/4"	3"
VSE 3-21-40	1G0635	21	1 1/4"	1 1/4"	3"
VSE 3-23-40	1G0636	23	1 1/4"	1 1/4"	3"
VSE 3-25-50	1G0146	25	1 1/4"	1 1/4"	3"

Motor Features		
Drive	Speed (rpm)	Frequency (Hz)
Electric	3500	60
Power (HP)	Phase	Voltage (V)
0.5	1	115/230
0.7	1	115/230
0.7	1	115/230
1	1	115/230
1.5	1	115/230
1.5	1	115/230
1.5	3	230/460
2	1	115/230
2	1	115/230
2	3	230/460
3	3	230/460
3	3	230/460
3	3	230/460
3	3	230/460
3	3	230/460
4	3	230/460
4	3	230/460
4	3	230/460
5	3	230/460

2 Poles (3450 rpm)



# VSE Pumps

## Performance Curve

### VSE 4



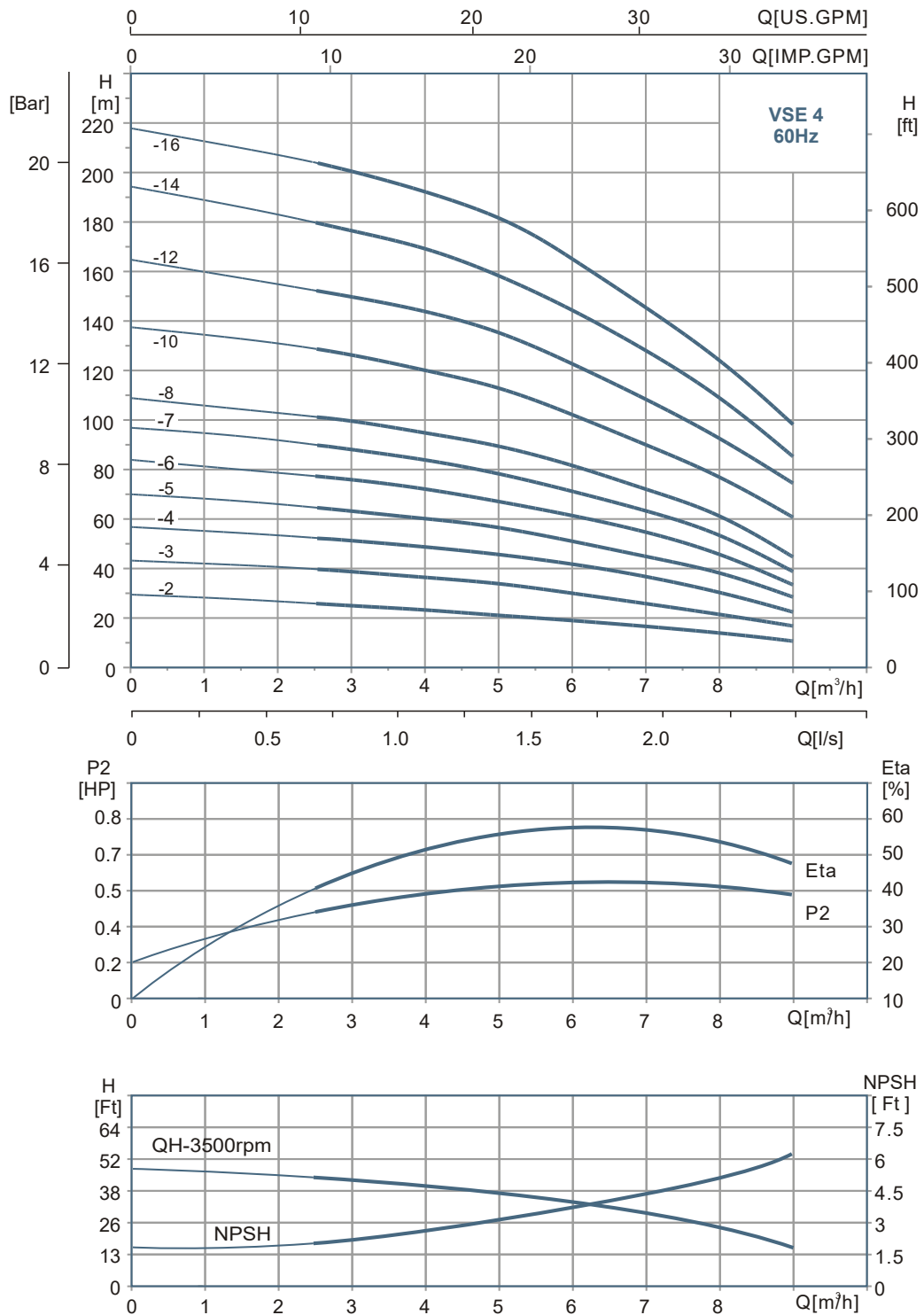
[www.wdmpumps.com](http://www.wdmpumps.com)

Pump Features					
Pump Type		Design		Impeller	
In Line		Flexible Coupled		Enclosed, Stainless Steel	
Mechanical Seal			Fluid Temperature Range		
NJK-12 (1/2")			- 4°F to 248°F		
Model	Reference	Stages	Ø Suction	Ø Discharge	Ø Impeller
VSE 4-2-10-1	1G0637	2	1 1/4"	1 1/4"	3 1/2"
VSE 4-3-15-1	1G0638	3	1 1/4"	1 1/4"	3 1/2"
VSE 4-4-20-1	1G0639	4	1 1/4"	1 1/4"	3 1/2"
VSE 4-5-30	1G0640	5	1 1/4"	1 1/4"	3 1/2"
VSE 4-6-30	1G0641	6	1 1/4"	1 1/4"	3 1/2"
VSE 4-7-40	1G0642	7	1 1/4"	1 1/4"	3 1/2"
VSE 4-8-40	1G0643	8	1 1/4"	1 1/4"	3 1/2"
VSE 4-10-50	1G0644	10	1 1/4"	1 1/4"	3 1/2"
VSE 4-12-50	1G0170	12	1 1/4"	1 1/4"	3 1/2"
VSE 4-14-75	1G0645	14	1 1/4"	1 1/4"	3 1/2"
VSE 4-16-75	1G0171	16	1 1/4"	1 1/4"	3 1/2"

Motor Features		
Drive	Speed (rpm)	Frequency (Hz)
Electric	3500	60
Power (HP)	Phase	Voltage (V)
1	1	115/230
1.5	1	115/230
2	1	115/230
3	3	230/460
3	3	230/460
4	3	230/460
4	3	230/460
5	3	230/460
5	3	230/460
7.5	3	230/460
7.5	3	230/460



2 Poles (3450 rpm)



# VSE Pumps

## Performance Curve

### VSE 5

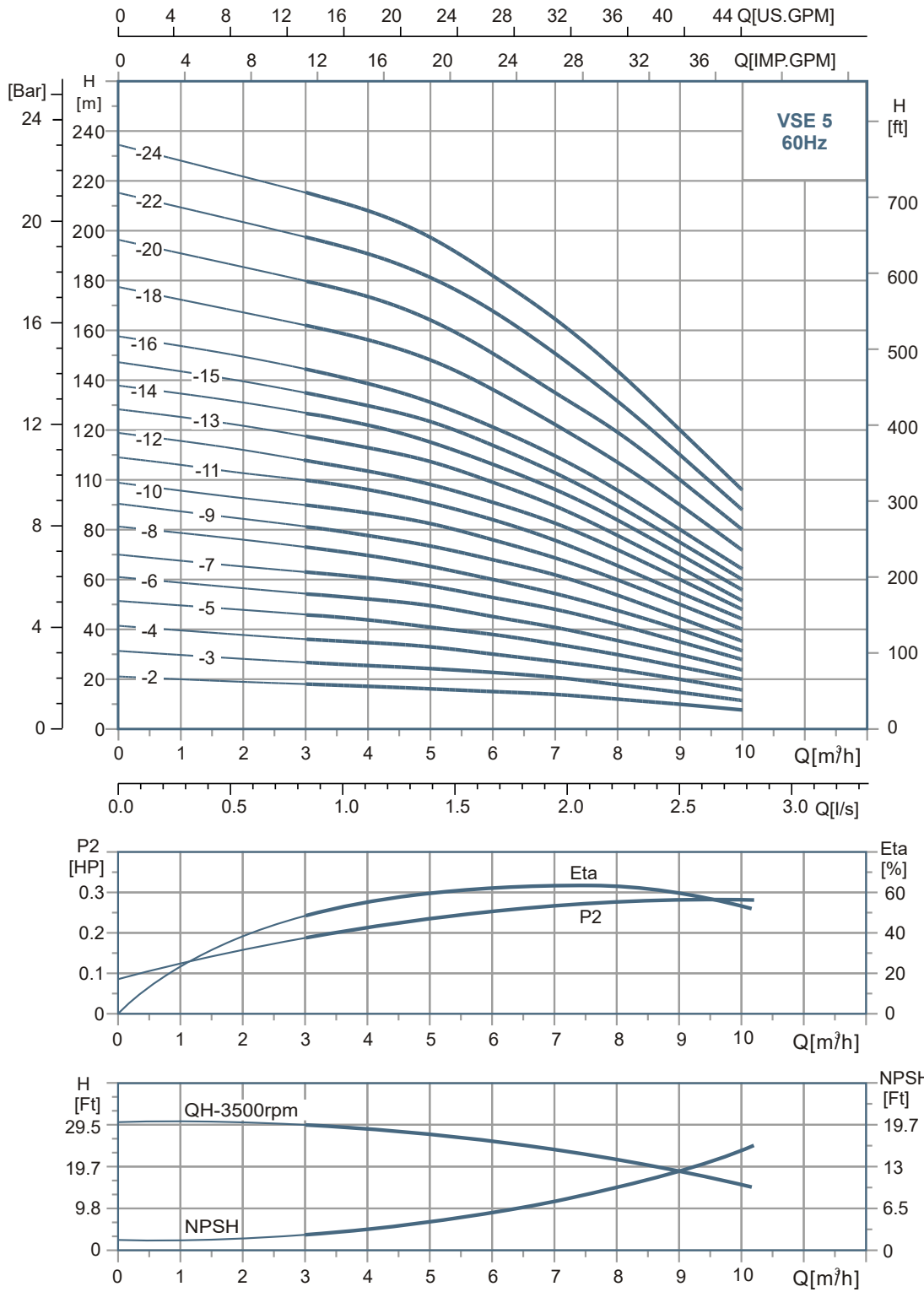


[www.wdmpumps.com](http://www.wdmpumps.com)

Pump Features					
Pump Type		Design		Impeller	
In Line		Flexible Coupled		Enclosed, Stainless Steel	
Mechanical Seal			Fluid Temperature Range		
NJK-12 (1/2")			- 4°F to 248°F		
Model	Reference	Stages	Ø Suction	Ø Discharge	Ø Impeller
VSE 5-2-7-1 HF	1G0723	2	1 1/4"	1 1/4"	3 1/2"
VSE 5-3-15-1 HF	1G0724	3	1 1/4"	1 1/4"	3 1/2"
VSE 5-4-15-1 HF	1G0725	4	1 1/4"	1 1/4"	3 1/2"
VSE 5-5-20-1 HF	1G0726	5	1 1/4"	1 1/4"	3 1/2"
VSE 5-6-30 HF	1G0727	6	1 1/4"	1 1/4"	3 1/2"
VSE 5-7-30 HF	1G0728	7	1 1/4"	1 1/4"	3 1/2"
VSE 5-8-30 HF	1G0729	8	1 1/4"	1 1/4"	3 1/2"
VSE 5-9-30-1 HF	1G0177	9	1 1/4"	1 1/4"	3 1/2"
VSE 5-9-30 HF	1G0178	9	1 1/4"	1 1/4"	3 1/2"
VSE 5-10-40 HF	1G0730	10	1 1/4"	1 1/4"	3 1/2"
VSE 5-11-40 HF	1G0731	11	1 1/4"	1 1/4"	3 1/2"
VSE 5-12-40 HF	1G0732	12	1 1/4"	1 1/4"	3 1/2"
VSE 5-13-55 HF	1G0733	13	1 1/4"	1 1/4"	3 1/2"
VSE 5-14-55 HF	1G0734	14	1 1/4"	1 1/4"	3 1/2"
VSE 5-15-55 HF	1G0735	15	1 1/4"	1 1/4"	3 1/2"
VSE 5-16-55 HF	1G0179	16	1 1/4"	1 1/4"	3 1/2"
VSE 5-18-75 HF	1G0736	18	1 1/4"	1 1/4"	3 1/2"
VSE 5-20-75 HF	1G0737	20	1 1/4"	1 1/4"	3 1/2"
VSE 5-22-75 HF	1G0180	22	1 1/4"	1 1/4"	3 1/2"
VSE 5-24-100 HF	1G0738	24	1 1/4"	1 1/4"	3 1/2"

Motor Features		
Drive	Speed (rpm)	Frequency (Hz)
Electric	3500	60
Power (HP)	Phase	Voltage (V)
0.75	1	115/230
1.5	1	115/230
1.5	1	115/230
2.0	1	115/230
3.0	3	230/460
3.0	3	230/460
3.0	3	230/460
3.0	1	115/230
3.0	3	230/460
4.0	3	230/460
4.0	3	230/460
4.0	3	230/460
5.5	3	230/460
5.5	3	230/460
5.5	3	230/460
5.5	3	230/460
7.5	3	230/460
7.5	3	230/460
7.5	3	230/460
10	3	230/460

2 Poles (3450 rpm)



# VSE Pumps

## Performance Curve

### VSE 10

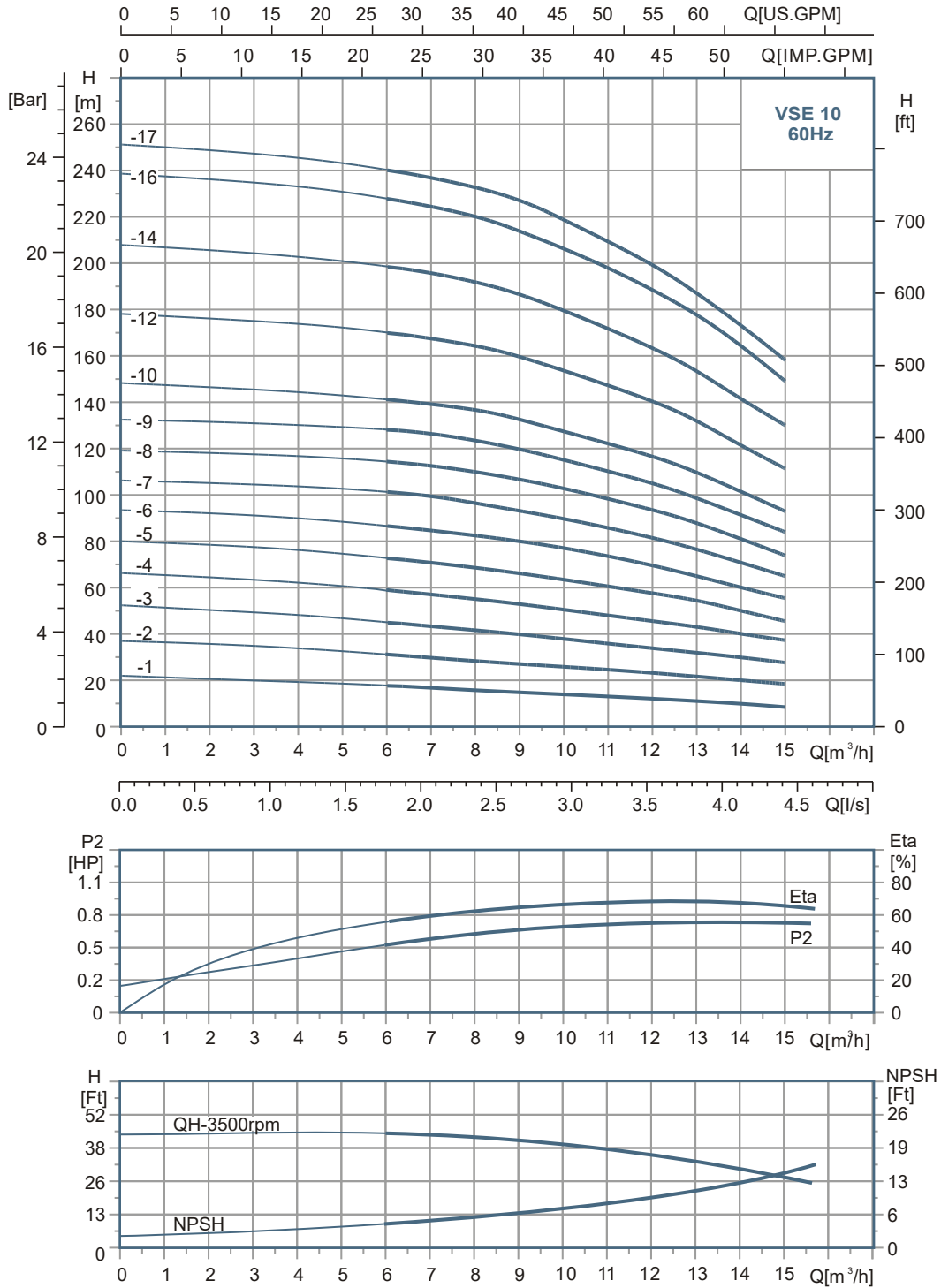


[www.wdmpumps.com](http://www.wdmpumps.com)

Pump Features					
Pump Type		Design		Impeller	
In Line		Flexible Coupled		Enclosed, Stainless Steel	
Mechanical Seal			Fluid Temperature Range		
NJK-16 (5/8")			- 4°F to 248°F		
Model	Reference	Stages	Ø Suction	Ø Discharge	Ø Impeller
VSE 10-1-10-1	1G0646	1	1 1/2"	1 1/2"	3 1/2"
VSE 10-2-20-1	1G0647	2	1 1/2"	1 1/2"	3 1/2"
VSE 10-3-30	1G0181	3	1 1/2"	1 1/2"	3 1/2"
VSE 10-4-40	1G0648	4	1 1/2"	1 1/2"	3 1/2"
VSE 10-5-40	1G0649	5	1 1/2"	1 1/2"	3 1/2"
VSE 10-6-50	1G0147	6	1 1/2"	1 1/2"	3 1/2"
VSE 10-7-75	1G0650	7	1 1/2"	1 1/2"	3 1/2"
VSE 10-8-75	1G0148	8	1 1/2"	1 1/2"	3 1/2"
VSE 10-9-75	1G0196	9	1 1/2"	1 1/2"	3 1/2"
VSE 10-10-100	1G0149	10	1 1/2"	1 1/2"	3 1/2"
VSE 10-12-100	1G0150	12	1 1/2"	1 1/2"	3 1/2"
VSE 10-14-150	1G0151	14	1 1/2"	1 1/2"	3 1/2"
VSE 10-16-150	1G0651	16	1 1/2"	1 1/2"	3 1/2"
VSE 10-17-150	1G0652	17	1 1/2"	1 1/2"	3 1/2"

Motor Features		
Drive	Speed (rpm)	Frequency (Hz)
Electric	3500	60
Power (HP)	Phase	Voltage (V)
1	1	115/230
2	1	115/230
3	3	230/460
4	3	230/460
4	3	230/460
5	3	230/460
7.5	3	230/460
7.5	3	230/460
7.5	3	230/460
10	3	230/460
10	3	230/460
15	3	230/460
15	3	230/460

2 Poles (3450 rpm)



# VSE Pumps

## Performance Curve

### VSE 15

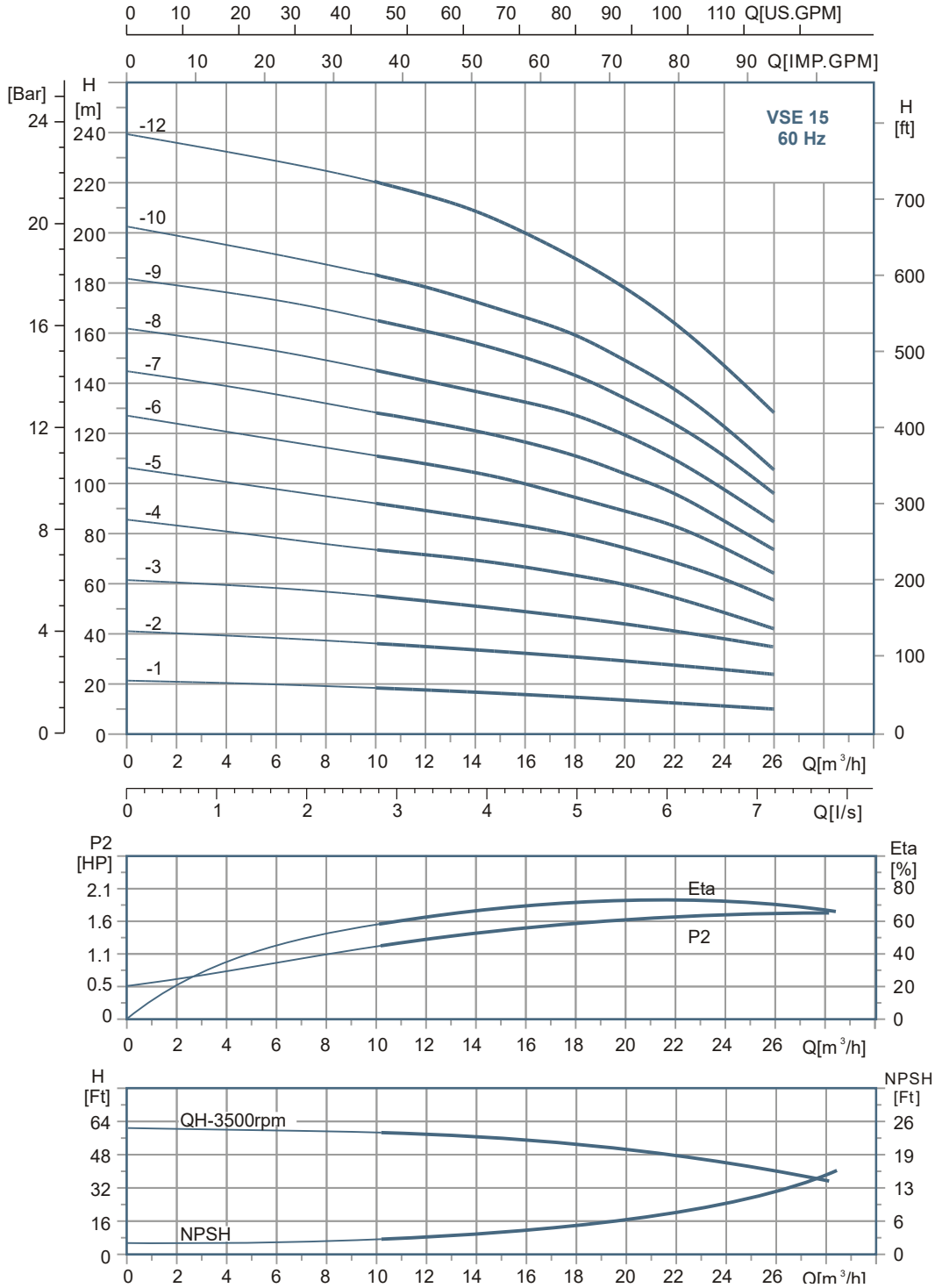


[www.wdmpumps.com](http://www.wdmpumps.com)

Pump Features					
Pump Type		Design		Impeller	
In Line		Flexible Coupled		Enclosed, Stainless Steel	
Mechanical Seal			Fluid Temperature Range		
NJK-16 (5/8")			- 4°F to 248°F		
Model	Reference	Stages	Ø Suction	Ø Discharge	Ø Impeller
VSE 15-1-20-1	1G0653	1	2 1/2	2 1/2	4"
VSE 15-2-40	1G0654	2	2 1/2	2 1/2	4"
VSE 15-3-50	1G0655	3	2 1/2	2 1/2	4"
VSE 15-4-75	1G0152	4	2 1/2	2 1/2	4"
VSE 15-5-100	1G0153	5	2 1/2	2 1/2	4"
VSE 15-6-150	1G0656	6	2 1/2	2 1/2	4"
VSE 15-7-150	1G0657	7	2 1/2	2 1/2	4"
VSE 15-8-150	1G0154	8	2 1/2	2 1/2	4"
VSE 15-9-200	1G0658	9	2 1/2	2 1/2	4"
VSE 15-10-200	1G0155	10	2 1/2	2 1/2	4"
VSE 15-12-250	1G0156	12	2 1/2	2 1/2	4"

Motor Features		
Drive	Speed (rpm)	Frequency (Hz)
Electric	3500	60
Power (HP)	Phase	Voltage (V)
2	1	115/230
4	3	230/460
5	3	230/460
7.5	3	230/460
10	3	230/460
15	3	230/460
15	3	230/460
15	3	230/460
20	3	230/460
20	3	230/460
25	3	230/460

2 Poles (3450 rpm)



**VSE Pumps**  
Performance Curve  
VSE 20



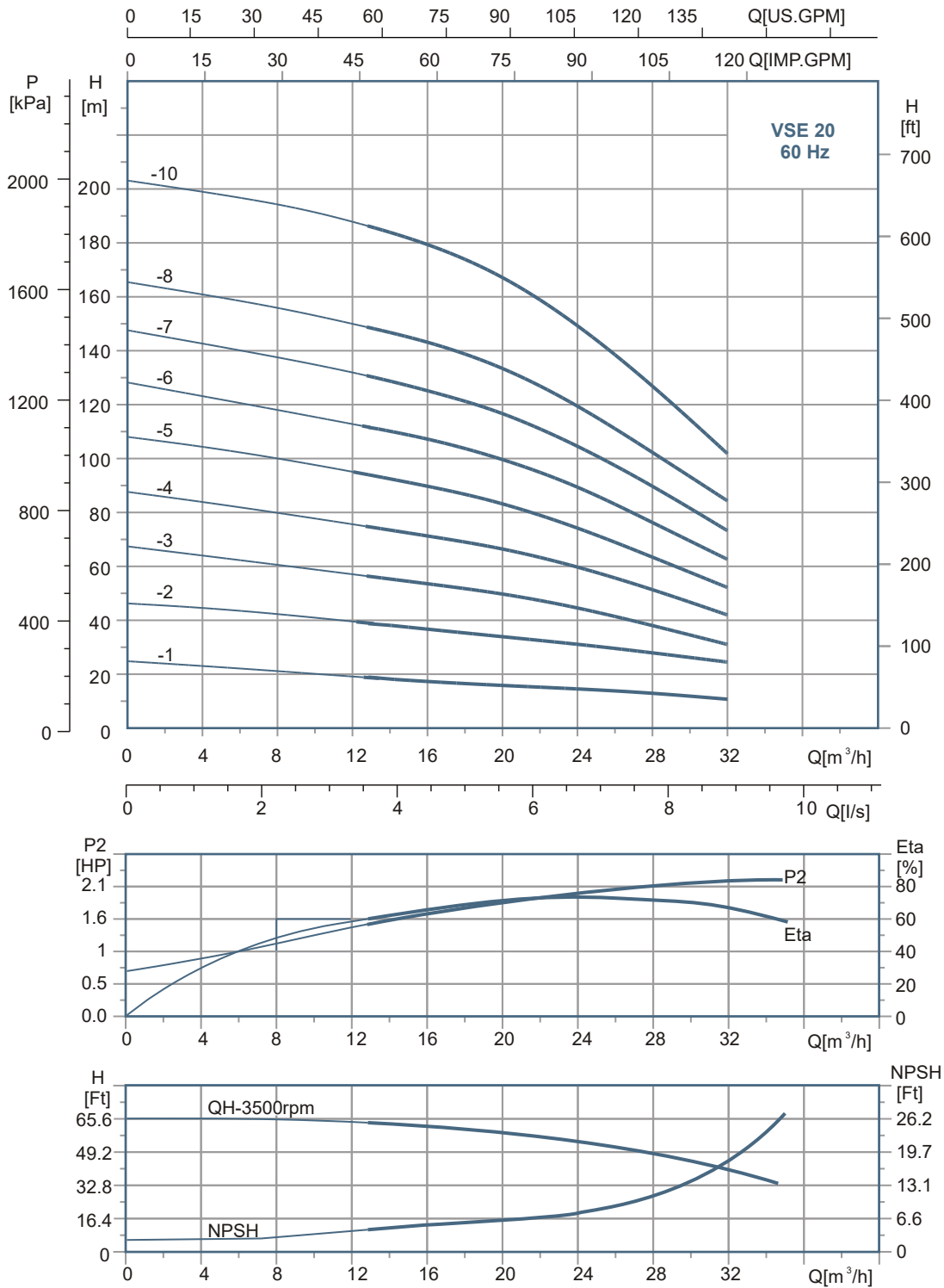
[www.wdmpumps.com](http://www.wdmpumps.com)

Pump Features					
Pump Type		Design		Impeller	
In Line		Flexible Coupled		Enclosed, Stainless Steel	
Mechanical Seal			Fluid Temperature Range		
NJK-16 (5/8")			- 4°F to 248°F		
Model	Reference	Stages	Ø Suction	Ø Discharge	Ø Impeller
VSE 20-1-30	1G0739	1	2"	2"	4"
VSE 20-2-55	1G0740	2	2"	2"	4"
VSE 20-3-75	1G0741	3	2"	2"	4"
VSE 20-4-100	1G0742	4	2"	2"	4"
VSE 20-5-150	1G0743	5	2"	2"	4"
VSE 20-6-150	1G0197	6	2"	2"	4"
VSE 20-7-200	1G0744	7	2"	2"	4"
VSE 20-8-200	1G0745	8	2"	2"	4"
VSE 20-10-250	1G0746	10	2"	2"	4"

Motor Features		
Drive	Speed (rpm)	Frequency (Hz)
Electric	3500	60
Power (HP)	Phase	Voltage (V)
3	3	230/460
5.5	3	230/460
7.5	3	230/460
10	3	230/460
15	3	230/460
15	3	230/460
20	3	230/460
20	3	230/460
25	3	230/460



2 Poles (3450 rpm)



# VSE Pumps

## Performance Curve

### VSE 32

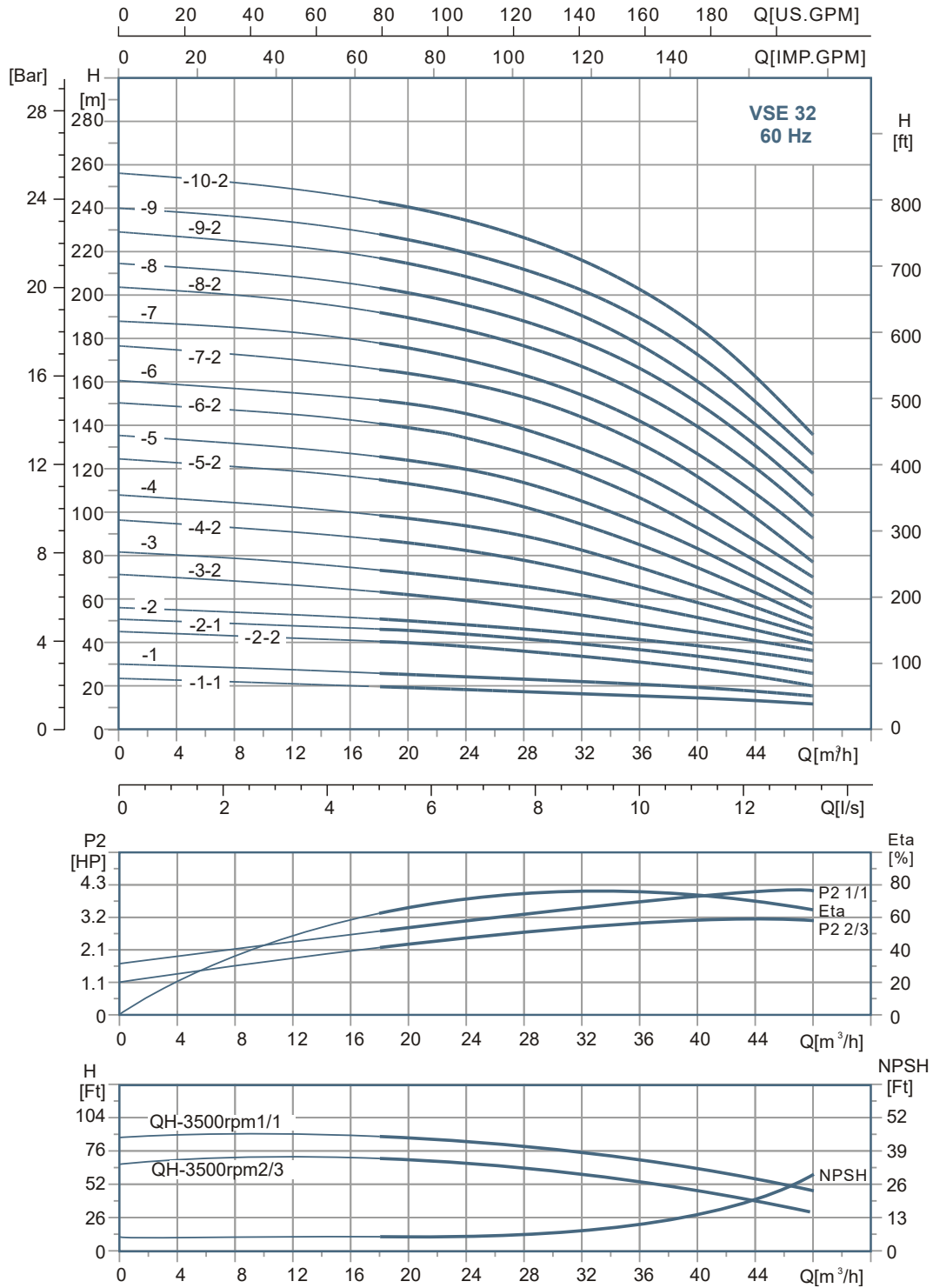


www.wdmpumps.com

Pump Features					
Pump Type		Design		Impeller	
In Line		Flexible Coupled		Enclosed, Stainless Steel	
Mechanical Seal			Fluid Temperature Range		
NJK-22 (7/8")			- 4°F to 248°F		
Model	Reference	Stages	Ø Suction	Ø Discharge	Ø Impeller
VSE 32-1-1-30	1G0677	1	3"	3"	4 1/2"
VSE 32-1-40	1G0678	1	3"	3"	4 1/2"
VSE 32-2-2-75	1G0679	2	3"	3"	4 1/2"
VSE 32-2-1-75	1G0680	2	3"	3"	4 1/2"
VSE 32-2-100	1G0681	2	3"	3"	4 1/2"
VSE 32-3-2-150	1G0682	3	3"	3"	4 1/2"
VSE 32-3-150	1G0157	3	3"	3"	4 1/2"
VSE 32-4-150	1G0158	4	3"	3"	4 1/2"
VSE 32-4-2-150	1G0683	4	3"	3"	4 1/2"
VSE 32-5-2-200	1G0159	5	3"	3"	4 1/2"
VSE 32-5-250	1G0684	5	3"	3"	4 1/2"
VSE 32-6-2-250	1G0685	6	3"	3"	4 1/2"
VSE 32-6-250	1G0182	6	3"	3"	4 1/2"
VSE 32-7-2-300	1G0686	7	3"	3"	4 1/2"
VSE 32-7-300	1G0183	7	3"	3"	4 1/2"
VSE 32-8-2-400	1G0687	8	3"	3"	4 1/2"
VSE 32-8-400	1G0688	8	3"	3"	4 1/2"
VSE 32-9-2-400	1G0689	9	3"	3"	4 1/2"
VSE 32-9-400	1G0184	9	3"	3"	4 1/2"
VSE 32-10-2-400	1G0690	10	3"	3"	4 1/2"

Motor Features		
Drive	Speed (rpm)	Frequency (Hz)
Electric	3500	60
Power (HP)	Phase	Voltage (V)
3	3	230/460
4	3	230/460
7.5	3	230/460
7.5	3	230/460
10	3	230/460
15	3	230/460
15	3	230/460
15	3	230/460
15	3	230/460
20	3	230/460
25	3	230/460
25	3	230/460
25	3	230/460
25	3	230/460
30	3	230/460
30	3	230/460
40	3	230/460
40	3	230/460
40	3	230/460
40	3	230/460
40	3	230/460

2 Poles (3450 rpm)



# VSE Pumps

## Performance Curve

### VSE 45

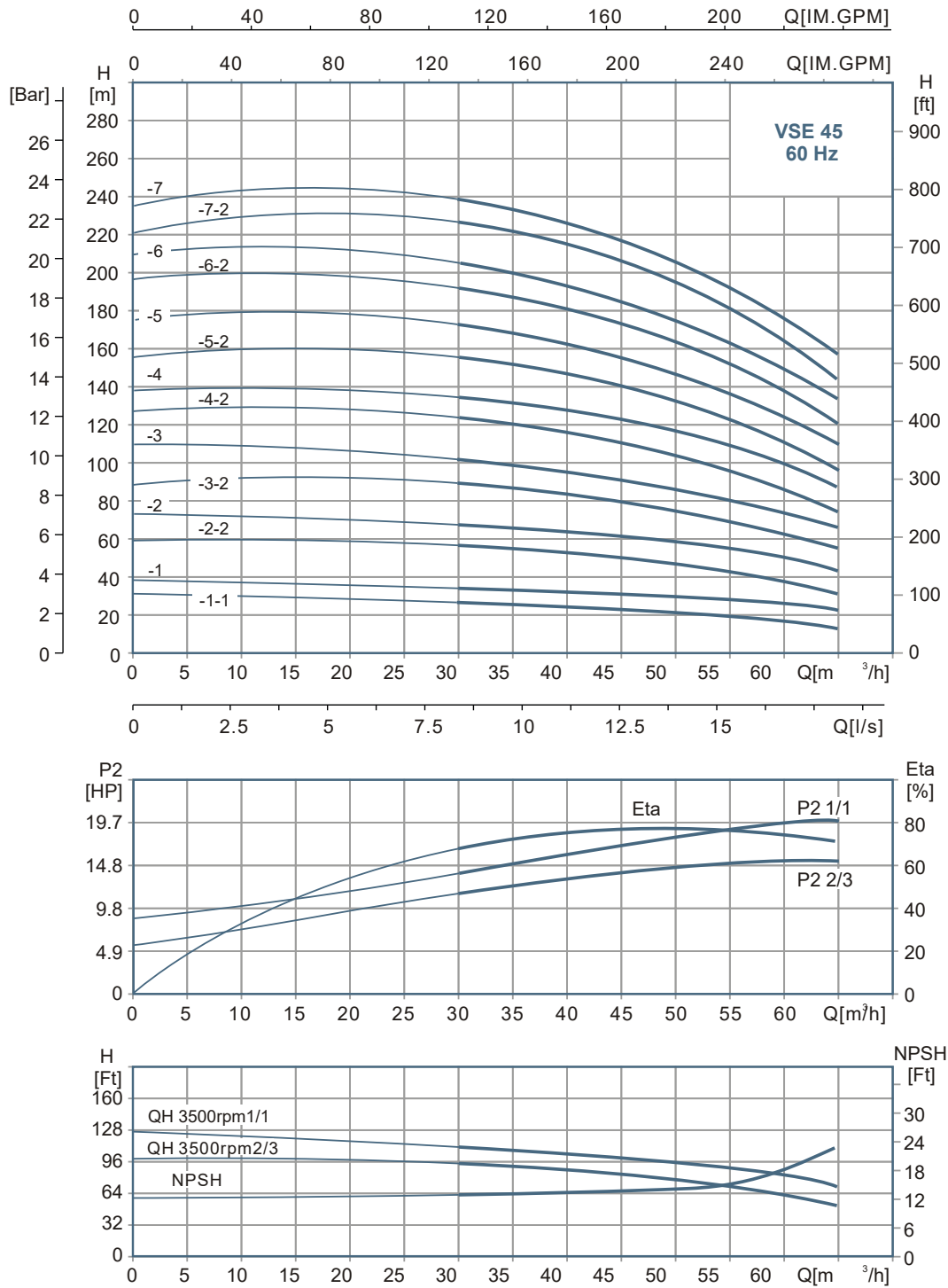


[www.wdmpumps.com](http://www.wdmpumps.com)

Pump Features					
Pump Type		Design		Impeller	
In Line		Flexible Coupled		Enclosed, Stainless Steel	
Mechanical Seal			Fluid Temperature Range		
NJK-22 (7/8")			- 4°F to 248°F		
Model	Reference	Stages	Ø Suction	Ø Discharge	Ø Impeller
VSE 45-1-75	1G0659	1	3"	3"	5"
VSE 45-1-100	1G0660	1	3"	3"	5"
VSE 45-2-2-150	1G0661	2	3"	3"	5"
VSE 45-2-200	1G0185	2	3"	3"	5"
VSE 45-3-2-250	1G0662	3	3"	3"	5"
VSE 45-3-250	1G0186	3	3"	3"	5"
VSE 45-4-300	1G0187	4	3"	3"	5"
VSE 45-4-2-300	1G0663	4	3"	3"	5"
VSE 45-5-2-400	1G0664	5	3"	3"	5"
VSE 45-5-400	1G0188	5	3"	3"	5"
VSE 45-6-2-500	1G0665	6	3"	3"	5"
VSE 45-6-500	1G0666	6	3"	3"	5"
VSE 45-7-2-600	1G0667	7	3"	3"	5"
VSE 45-7-600	1G0199	7	3"	3"	5"

Motor Features		
Drive	Speed (rpm)	Frequency (Hz)
Electric	3500	60
Power (HP)	Phase	Voltage (V)
7.5	3	230/460
10	3	230/460
15	3	230/460
20	3	230/460
25	3	230/460
25	3	230/460
30	3	230/460
30	3	230/460
40	3	230/460
40	3	230/460
50	3	230/460
50	3	230/460
60	3	230/460
60	3	230/460

2 Poles (3450 rpm)



# VSE Pumps

## Performance Curve

### VSE 64

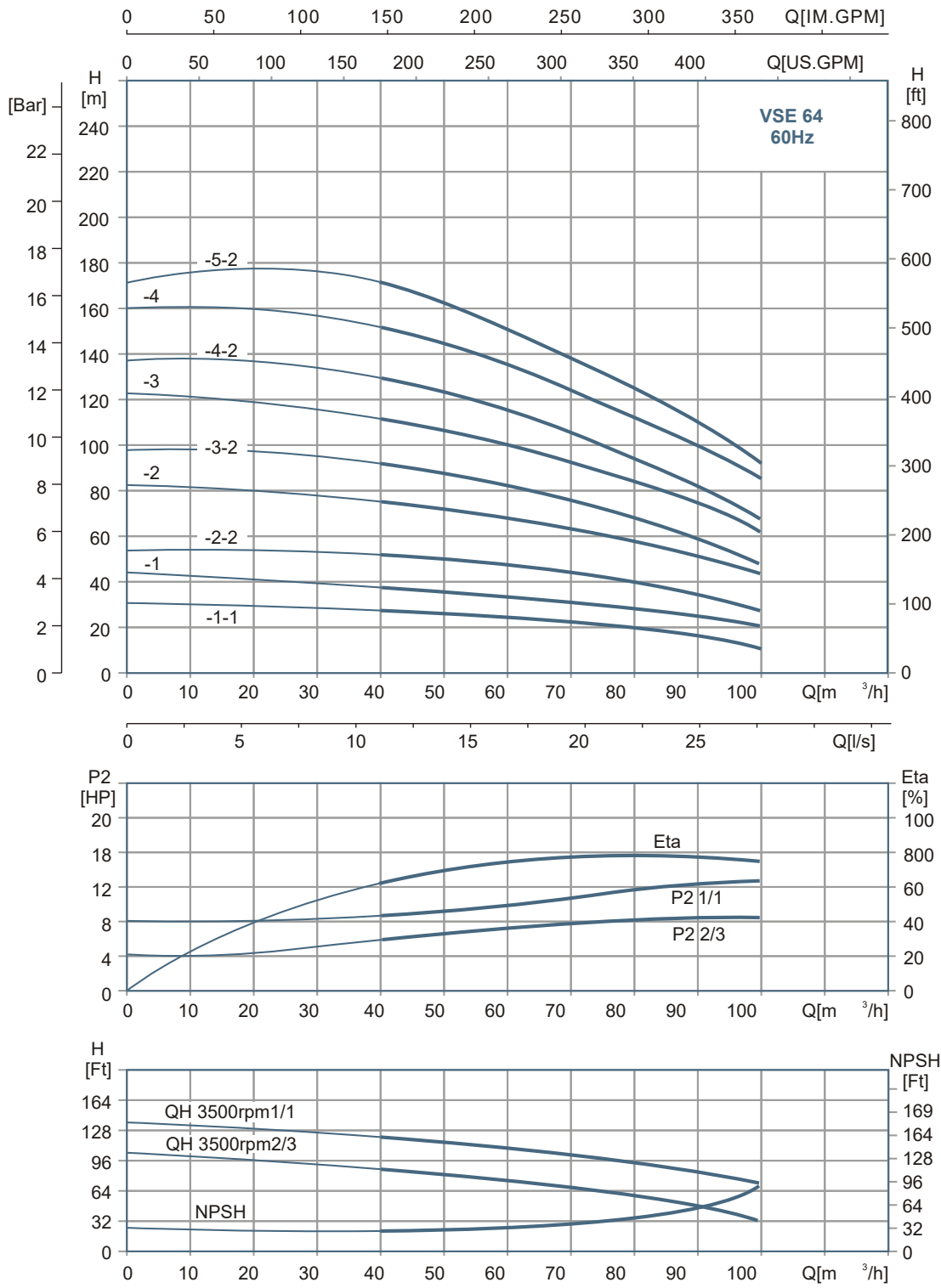


[www.wdmpumps.com](http://www.wdmpumps.com)

Pump Features					
Pump Type		Design		Impeller	
In Line		Flexible Coupled		Enclosed, Stainless Steel	
Mechanical Seal			Fluid Temperature Range		
NJK-22 (7/8")			- 4°F to 248°F		
Model	Reference	Stages	Ø Suction	Ø Discharge	Ø Impeller
VSE 64-1-1-100	1G0747	1	4"	4"	5"
VSE 64-1-1-150	1G0748	1	4"	4"	5"
VSE 64-2-2-200	1G0189	2	4"	4"	5"
VSE 64-2-2-300	1G0749	2	4"	4"	5"
VSE 64-3-2-300	1G0190	3	4"	4"	5"
VSE 64-3-400	1G0191	3	4"	4"	5"
VSE 64-4-2-500	1G0750	4	4"	4"	5"
VSE 64-4-600	1G0751	4	4"	4"	5"
VSE 64-5-2-600	1G0752	5	4"	4"	5"

Motor Features		
Drive	Speed (rpm)	Frequency (Hz)
Electric	3500	60
Power (HP)	Phase	Voltage (V)
10	3	230/460
15	3	230/460
20	3	230/460
30	3	230/460
30	3	230/460
40	3	230/460
50	3	230/460
60	3	230/460
60	3	230/460

2 Poles (3450 rpm)



# VSE Pumps

## Performance Curve

### VSE 90



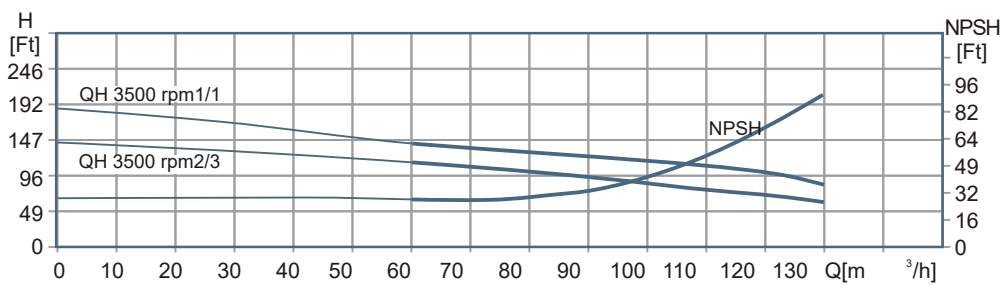
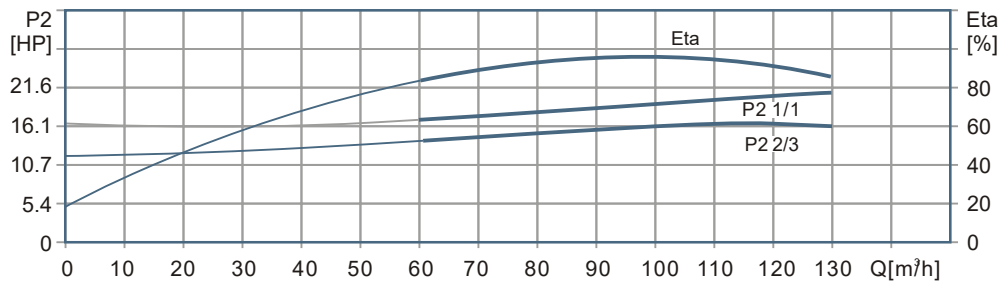
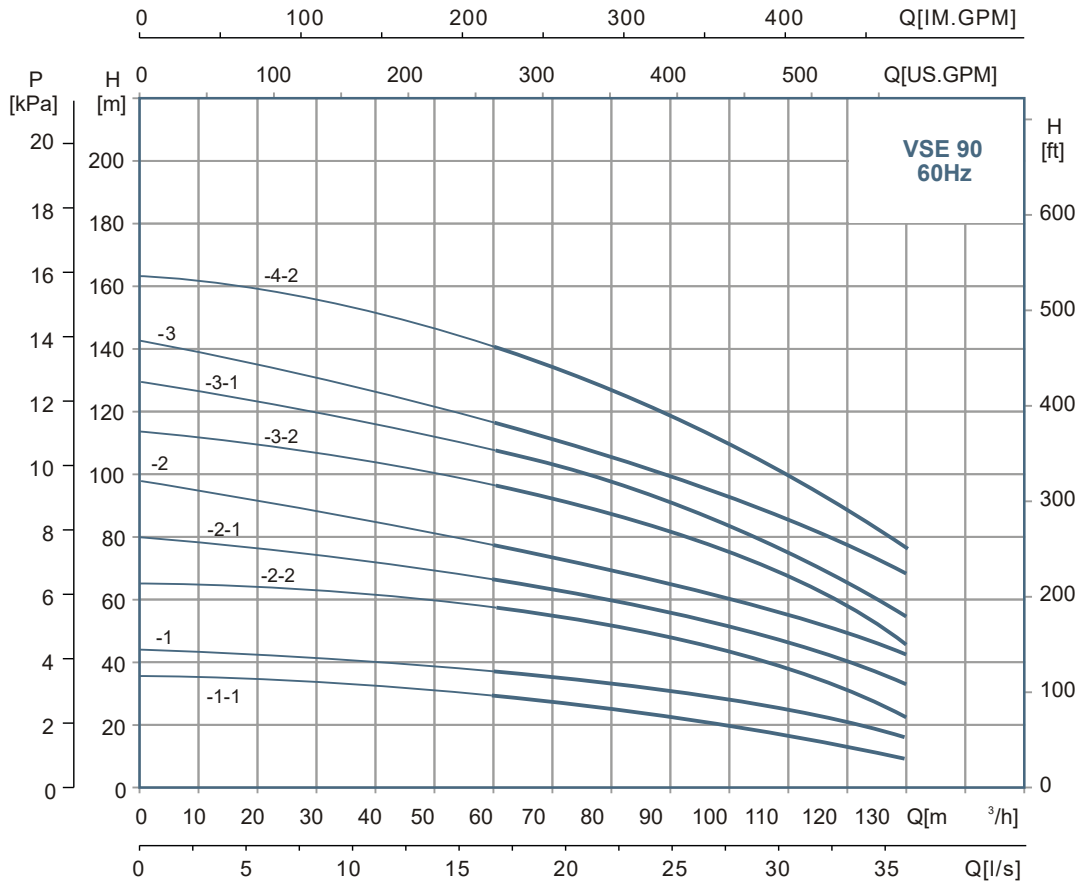
[www.wdmpumps.com](http://www.wdmpumps.com)

Pump Features					
Pump Type		Design		Impeller	
In Line		Flexible Coupled		Enclosed, Stainless Steel	
Mechanical Seal			Fluid Temperature Range		
NJK-22 (7/8")			- 4°F to 248°F		
Model	Reference	Stages	Ø Suction	Ø Discharge	Ø Impeller
VSE 90-1-1-150	1G0668	1	4"	4"	5 3/4"
VSE 90-1-1-200	1G0669	1	4"	4"	5 3/4"
VSE 90-2-2-250	1G0670	2	4"	4"	5 3/4"
VSE 90-2-1-300	1G0671	2	4"	4"	5 3/4"
VSE 90-2-400	1G0672	2	4"	4"	5 3/4"
VSE 90-3-2-500	1G0673	3	4"	4"	5 3/4"
VSE 90-3-1-500	1G0674	3	4"	4"	5 3/4"
VSE 90-3-600	1G0675	3	4"	4"	5 3/4"
VSE 90-4-2-600	1G0676	4	4"	4"	5 3/4"

Motor Features		
Drive	Speed (rpm)	Frequency (Hz)
Electric	3500	60
Power (HP)	Phase	Voltage (V)
15	3	230/460
20	3	230/460
25	3	230/460
30	3	230/460
40	3	230/460
50	3	230/460
50	3	230/460
60	3	230/460
60	3	230/460



2 Poles (3450 rpm)



### Pipe connection

Various sets of counter flanges and couplings are available.

Counter flange for VSE series A set consists of one counter flange, one gasket, bolts and nuts.

Counter Flange	Pump Model	Description	Rated Pressure	Pipe Work Connection
	VSE 1 VSE 3 VSE 4 VSE 5	Threaded	ANSI Class 150	1-1/4" NPT

Counter Flange	Pump Model	Description	Rated Pressure	Pipe Work Connection
	VSE 10	Threaded	ANSI Class 150	1-1/2" NPT

Counter Flange	Pump Model	Description	Rated Pressure	Pipe Work Connection
	VSE 15 VSE 20	Threaded	ANSI Class 150	2" NPT

**Remarks:** The above accessories are not necessary for pumps, there will be extra charge for them if needed.  
Technical features are subject to change without notice.

Counter Flange	Pump Model	Description	Rated Pressure	Pipe Work Connection
	VSE 32	Threaded	ANSI Class 150	2-1/2" NPT

Counter Flange	Pump Model	Description	Rated Pressure	Pipe Work Connection
	VSE 45	Threaded	ANSI Class 150	3" NPT

Counter Flange	Pump Model	Description	Rated Pressure	Pipe Work Connection
	VSE 64 VSE 90	Threaded	ANSI Class 150	4" NPT

**Remarks:** The above accessories are not necessary for pumps, there will be extra charge for them if needed. Technical features are subject to change without notice.

[www.wdmpumps.com](http://www.wdmpumps.com)



- [usasales@wdmpumps.com](mailto:usasales@wdmpumps.com)
- [support@wdmpumps.com](mailto:support@wdmpumps.com)