

Self-Priming Solids Handling Pedestal Drive Pumps

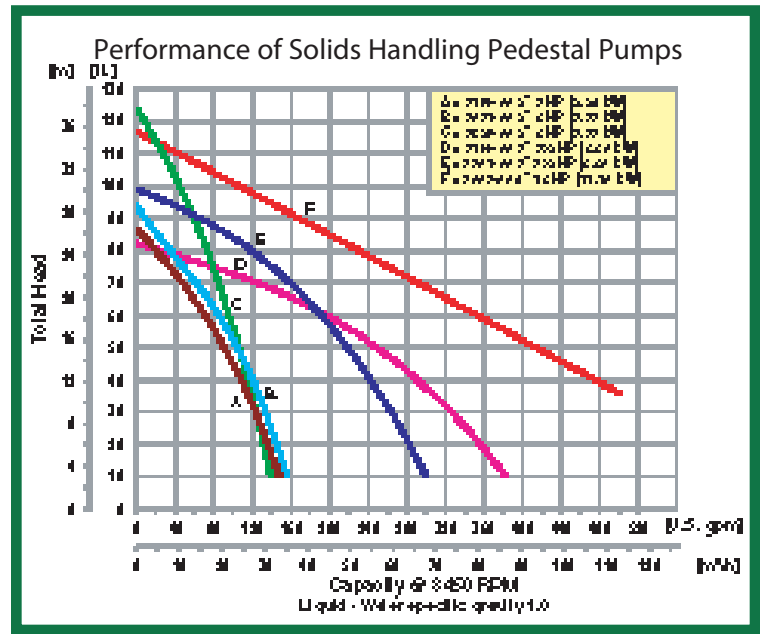
- Available in Cast Aluminum, Cast Iron or Thermoplastic, Depending on Specific Model
- Buna-N or Viton® Mechanical Seal, Depending on Specific Model
- Optional Seals Available
- 2" to 4" NPT Suction and Discharge Ports
- Maximum Working Pressure up to 75 PSI
- Maximum Temperature 180° F
- Self-Priming to 20 Ft.
- Solids Handling and Dirty Water Design
- Shaft Diameter
 - 2" Models 3/4"
 - 3" & 4" Models 1-1/8"
- Sized From Minimum 3 HP to 15 HP Driver at 3,600 RPM, Depending on Model



Model 3391-99

Model 3100-99

AMT Self-Priming Solids Handling Pedestal pumps are designed for direct or belt drive. Specific units are available in cast aluminum, cast iron or thermoplastic construction material. The units feature 3/8" to 2" solids handling construction and are fitted with a cast iron bearing housing, which contains two or three precision sealed ball bearings depending on specific model. Pumps are designed to handle liquids with solids content or dissolved solids and debris. Easy cleanout design by removing casing bolts permits removal of debris without disconnecting hoses. The 3" & 4" trash pump models feature cleanout covers with quick release handles for removal of debris. All units are self-priming to 20 feet.



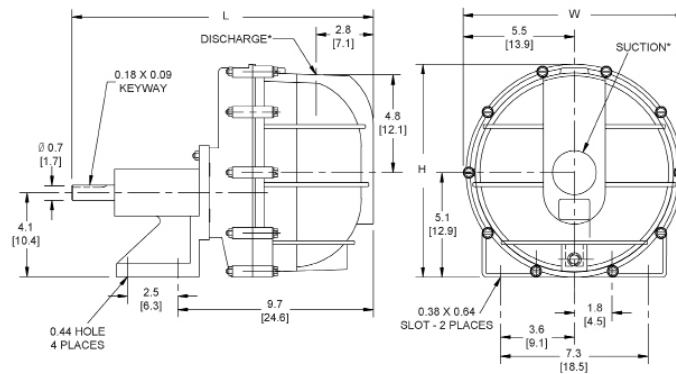
400 Spring Street • Royersford, PA 19468 USA
www.amtpump.com • 888-amt-pump (268-7867)

For use with nonflammable liquids compatible with pump component materials. Viton® and Teflon® are registered trademarks of E. I. DuPont.

2" Dewatering

Models 3826-99

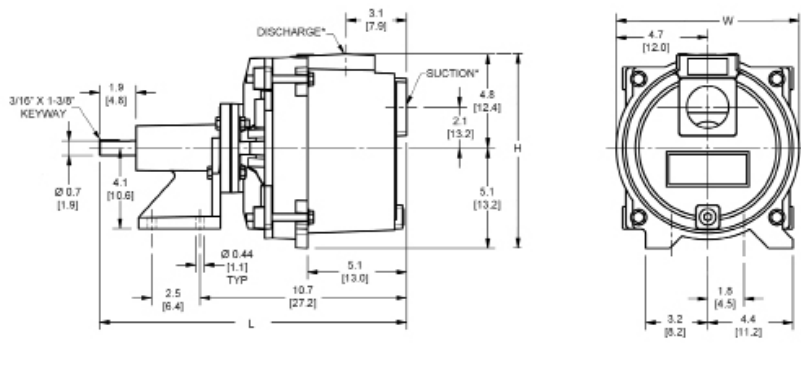
- Thermoplastic Construction
- Buna-N Check Valve and O-rings
- 2" NPT Suction & Discharge Ports
- Maximum Working Pressure 60 PSI
- Maximum Temperature 130° F
- Self-priming to 20 Ft.
- 2" Dewatering Construction
- 1/4" Diameter Solids Handling Capability
- Heavy Duty Cast Iron Bearing Housing Containing (2) Precision Sealed Ball Bearings
- 3/4" Diameter CNC Machined Shaft
- 1-3/8" x 3/16" x 3/32" Keyway



2" Solids Handling/Trash

Models 3160-99 & 3931-99

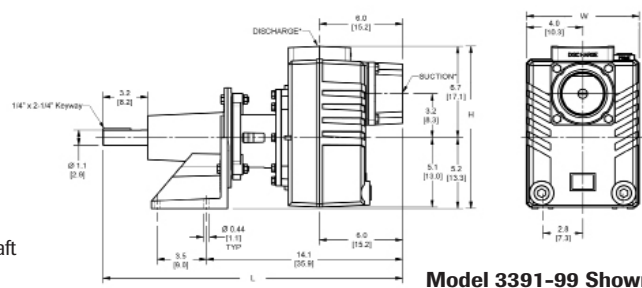
- Cast Iron Construction
- Buna-N Check Valve and O-rings (Model 3160-99)
- Viton® Check Valve and O-Rings (Model 3931-99)
- 2" NPT Suction & Discharge Ports
- Maximum Working Pressure 75 PSI
- Maximum Temperature 180° F
- Self-priming to 20 Ft.
- 3/8" Diameter Solids Handling Capability on 3160-99
- 1" Diameter Solids Handling Capability on 3931-99
- Heavy Duty Cast Iron Bearing Housing Containing (2) Precision Sealed Ball Bearings
- 3/4" Diameter CNC Machined Shaft
- 1-3/8" x 3/16" x 3/32" Keyway



3" & 4" Solids Handling/Trash

Models 3100-99, 3391-99 & 3993-99

- Cast Aluminum Construction with Cast Iron Wearparts and Front Cleanout (Models 3100-99 & 3993-96)
- Cast Iron Construction (3391-99)
- Buna-N Check Valve and O-rings
- Maximum Working Pressure 75 PSI
- Maximum Temperature 180° F
- Self-priming to 20 Ft.
- Solids Handling Capability
 - 3391-99—3/4" Diameter
 - 3100-99—1-1/2" Diameter - Trash Pump
 - 3993-99—2" Diameter - Trash Pump
- Heavy Duty Cast Iron Bearing Housing Containing (3) Precision Sealed Ball Bearings
- 1-1/8" Diameter CNC Machined Shaft
- 2-1/4" x 1/4" x 1/8" Keyway



Model 3391-99 Shown

Pump Dimensional & Specification Data

Model	Curve	SUC*	DIS*	L	W	H	Keyway	Seal	HP Required @ 3600 RPM	Ship Wt. (Lbs.)
3160-99	A	2" Female	2" Female	15.1 [38.3]	8.0 [20.3]	8.9 [22.6]	3/16" x 1-3/8"	Buna-N	3	41
3931-99	B	2" Female	2" Female	15.9 [40.4]	5.0 [12.7]	8.9 [22.6]	3/16" x 1-3/8"	Viton	5	59
3826-99	C	2" Female	2" Female	15.0 [38.1]	11.0 [27.9]	10.5 [26.6]	3/16" x 1-3/8"	Buna-N	5	20
3100-99	D	3" Male	3" Male	23.0 [58.8]	13.3 [33.7]	20.6 [52.3]	1/4" x 1-1/4"	Viton	7½	91
3391-99	E	3" Female	3" Female	21.6 [54.8]	8.1 [20.5]	12.0 [30.4]	1/4" x 1-1/4"	Buna-N	7½	91
3993-99	F	4" Male	4" Male	23.0 [58.4]	9.3 [23.6]	20.1 [51.0]	1/4" x 1-1/4"	Viton	15	133

*1" Standard NPT pipe thread.
NOTE: Dimensions are in inches (centimeters) and have a tolerance of ± 1/8".