

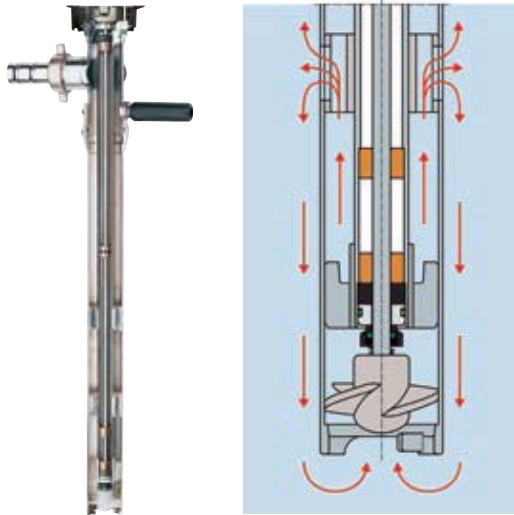
Technical Data Sheet

Drum pumps F 426



More than just pumps

Drum pumps F 426



Advantages/characteristics:

- ▶ For mixing and/or conveying inhomogeneous fluids
- ▶ Two control levers to easily open/close the mixing openings
- ▶ Mixing openings allow backflow of the media for mixing back in the container
- ▶ With mechanical seal for inner tube seal
- ▶ 3 operating modes in one pump: Conveying, conveying with simultaneous mixing, also temporary mixed operation
- ▶ Switching operating modes is possible while operating
- ▶ Easy to dismantle for cleaning
- ▶ Distinct feature: The inner tube is reinforced with a metal core on the PP-version
- ▶ Temporary operation against closed valve (e.g. hand nozzle) is possible (until the indicated max. operating temperature has been reached)



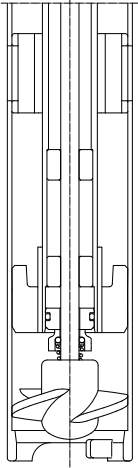
Technical data/type	F 426 PP	F 426 S
Seal type		Mechanical seal
Version		With impeller for max. flow rate
Pressure-side connection		Thread G 1¼ A
Materials		
Pump	Polypropylene	Stainless steel 316 Ti
O-ring ²⁾	FKM	FKM
Mechanical seal	Oxide ceramics, PTFE/coal, O-ring FKM	
Shaft	Hastelloy C	Stainless steel
Impeller		ETFE
Dimensions		
Outer tube diameter / Impeller diameter (mm)	50/33	41/38
Standard immersion depth	39", 47", 60" (1000 mm, 1200 mm, 1500 mm)	
Other immersion depths / special lengths ³⁾	19" - 78" (500 - 2000 mm)	
Operating range		
Container	Drums, IBCs, tanks, canisters, hobboscks, mixing containers etc.	
Media temperature	32 - 122°F (0 - 50°C)	32 - 212°F (0 - 100°C)
Media temperature ex-application	-	32 - 104°F (0 - 40°C)
Ambient temperature	32 - 104°F (0 - 40°C)	-4 - 104°F (-20 - 40°C)
Weight Ø 41, ID 39" (1000 mm)	-	8.38 lbs (3.8 kg)
Weight Ø 50, ID 39" (1000 mm)	3.96 lbs (1.8 kg)	-
Certificates		
Ex-identification	None	II 1/2 G c IIB T4
Silicone-free version		On request
Performance data¹⁾		
	Axial impeller	
Flow rate max.	63 GPM (240 LPM)	
Delivery head max.	42 ft (13 m)	
Viscosity max.	1200 cPs	

- 1) Dependent on pump version, medium and motor
- 2) Other materials on request
- 3) In gradations of 100 mm

Design, function and dimensions

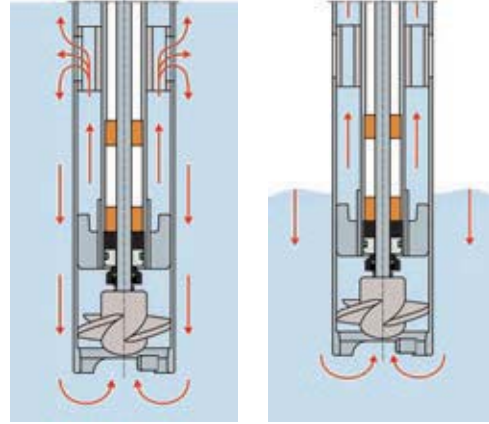
Drum pumps F 426

Design:



F 426 with mechanical seal and axial impeller

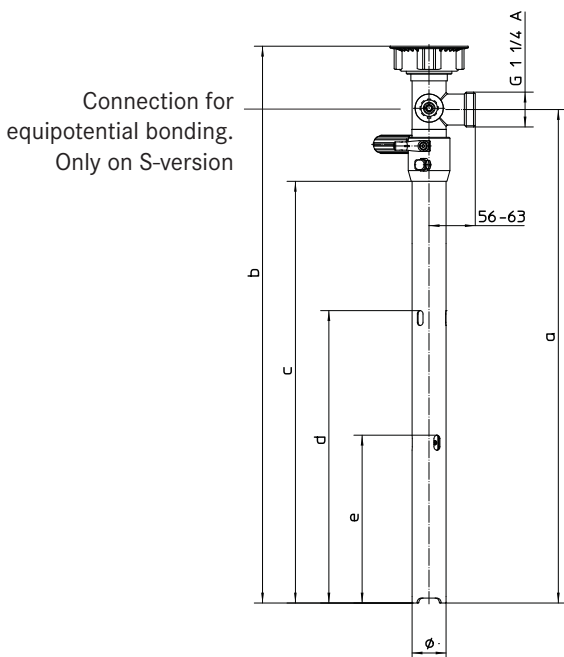
Function:



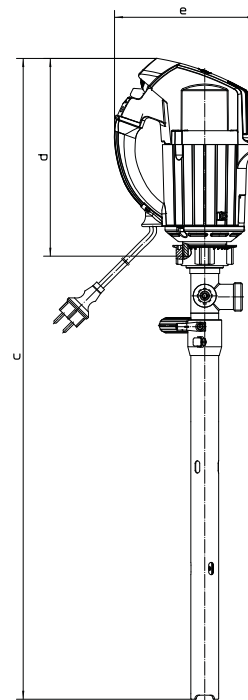
F 426 with open mixing openings (mixing) and closed mixing openings (pumping)

Dimensions:

Drum pump F 426



Drum pump with motor



Immersion depths (ID)

Pump material	Ø (mm) Outer tube/ impeller	ID					
		(mm)	a (mm)	b (mm)	c (mm)	d (mm)	e (mm)
PP	50/33	1000	1116	1191	1026	407	337
		1200	1316	1391	1226	407	337
		Other	ID + 116	ID + 191	ID + 26	407	337
S	41/38	1000	1106	1181	1018	352	202
		1200	1306	1381	1218	352	202
		Other	ID + 106	ID + 181	ID + 18	352	202

F 426 with motor

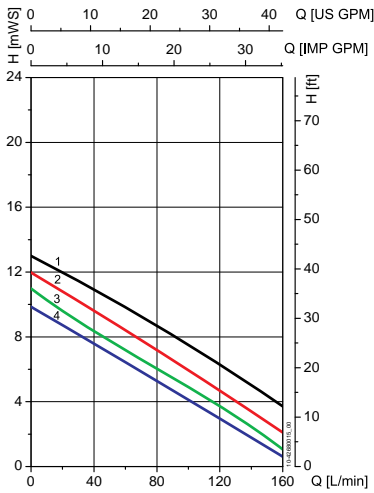
Motor type	c (mm)	d (mm)	e (mm)
FEM 4070	b + d - 16	207	186
F 457 (EL)		225	217
F 458 (-1, EL)		292	209
F 460 Ex (-1, EL)		292	209
FBM 4000 Ex		292	209
F 416 Ex		119	230
F 416-1 Ex		101	120
F 416-2 Ex		101	120

Performance diagrams¹⁾ & part numbers

Drum pumps F 426

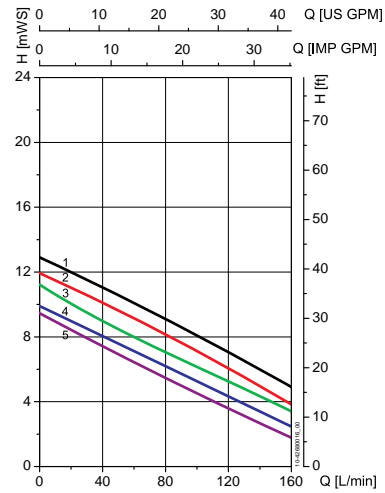
The following performance diagrams apply to the indicated impellers and motors, for all pump materials respectively.

Axial impeller Ø 33



- 1) F 416 Ex, F 416-1 Ex, F 416-2 Ex (6 bar)
- 2) F 457, F 457 EL, F 458-1, F 460-1 Ex
- 3) FBM 4000 Ex
- 4) FEM 4070, F 458, F 458 EL, F 460 Ex, F 460 Ex EL

Axial impeller Ø 38



- 1) F 416 Ex, F 416-1 Ex, F 416-2 Ex (6 bar)
- 2) F 457, F 457 EL, F 458-1, F 460-1 Ex
- 3) FBM 4000 Ex
- 4) FEM 4070
- 5) F 458, F 458 EL, F 460 Ex, F 460 Ex EL

Part numbers:

Standard immersion depths								
Type	Material			Diameter (mm)		Part no.		
	Pump	Shaft	O-ring	Ø outer tube	Ø impeller	39" (1000 mm)	47" (1200 mm)	60" (1500 mm)
F 426 Connection thread G 1 ¼ A	PP	HC	FKM	50	33	426 40 001	426 40 002	427 40 003
			FKM	41	38	426 20 010	426 20 012	426 20 015
	FFKM	426 29 010	426 29 012			-		

Other immersion depths/other O-rings/other connections on request

Hose connections with union nut G 1 ¼						
Connection	Material	Union nut	Size			
			DN 13	DN 19	DN 25	DN 32
Polypropylene (PP)	PP		959 04 081	959 04 053	959 04 052	959 04 054
Stainless steel (S) 316 Ti	Brass nickel-plated			959 04 061	959 04 041	959 04 042
Stainless steel (S) 316 Ti	S			959 04 062	959 04 063	959 04 064

1) Determined with water at 68°F (20°C), measured values ± 10 % maximum flow rate with open discharge outlet

Accessories

Drum pumps F 426

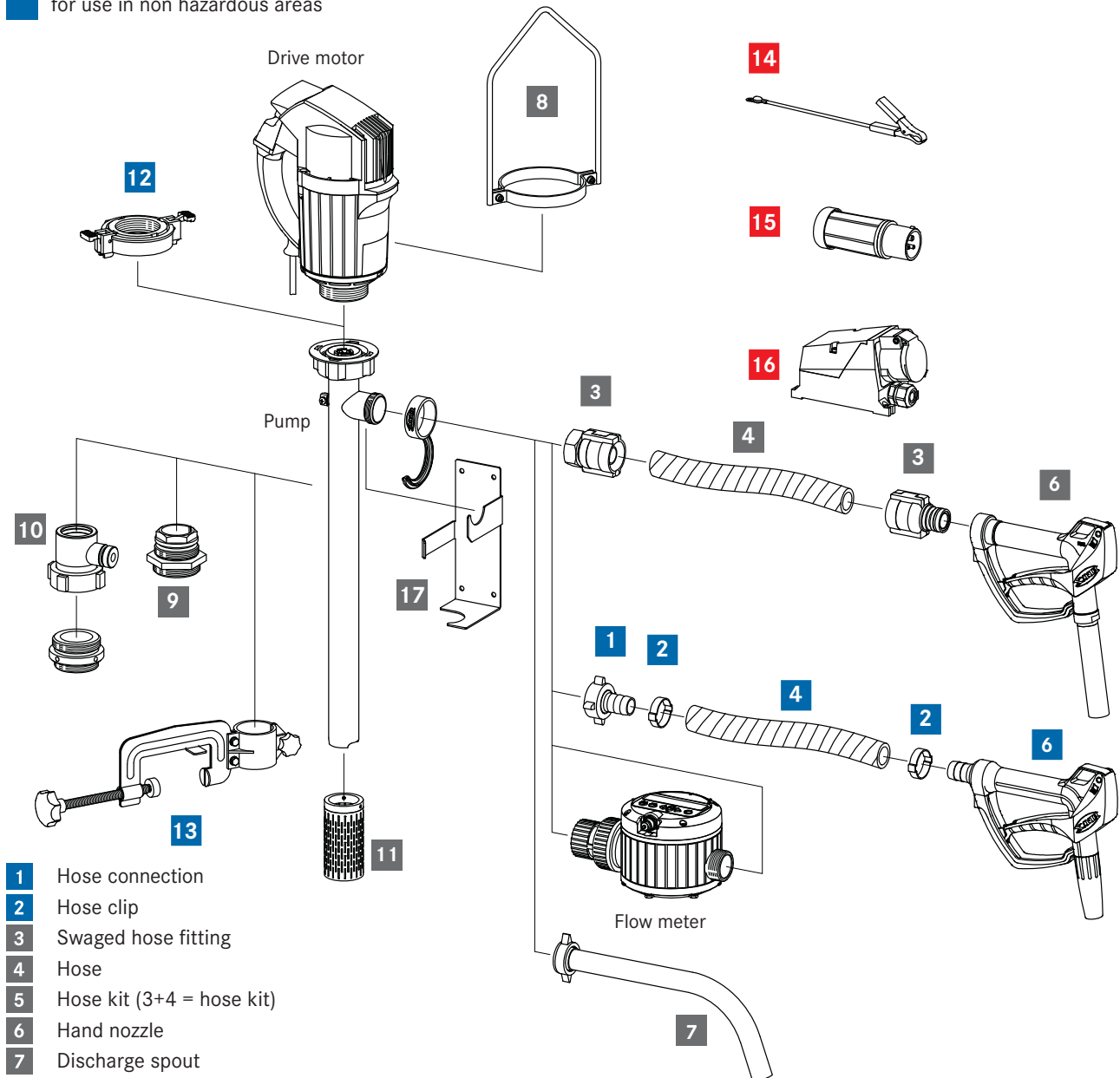
Accessories for drum pump F 426

Compatible with drum pumps from the F 426 series, we offer a wide selection of accessories, for example, compression glands, hoses, hand nozzles. More information can be found in the FLUX accessory brochure, in the price list or on our homepage: www.flux-pumps.com.

■ for use in hazardous areas

■ for use in hazardous and non hazardous areas

■ for use in non hazardous areas



- 1 Hose connection
- 2 Hose clip
- 3 Swaged hose fitting
- 4 Hose
- 5 Hose kit (3+4 = hose kit)
- 6 Hand nozzle
- 7 Discharge spout
- 8 Carrying handle
- 9 Compression gland
- 10 Fume gland
- 11 Suction strainer
- 12 Quick action coupling
- 13 Attachment clamp
- 14 Earth (ground) wire
- 15 Explosion-proof plug
- 16 Explosion-proof socket
- 17 Wall bracket

FLUX PUMPS CORPORATION

300 Townpark Drive, Suite 110
 Kennesaw, GA 30144, USA
 Phone 800-367-3589
info@fluxpumpsusa.com
www.fluxpumpsusa.com