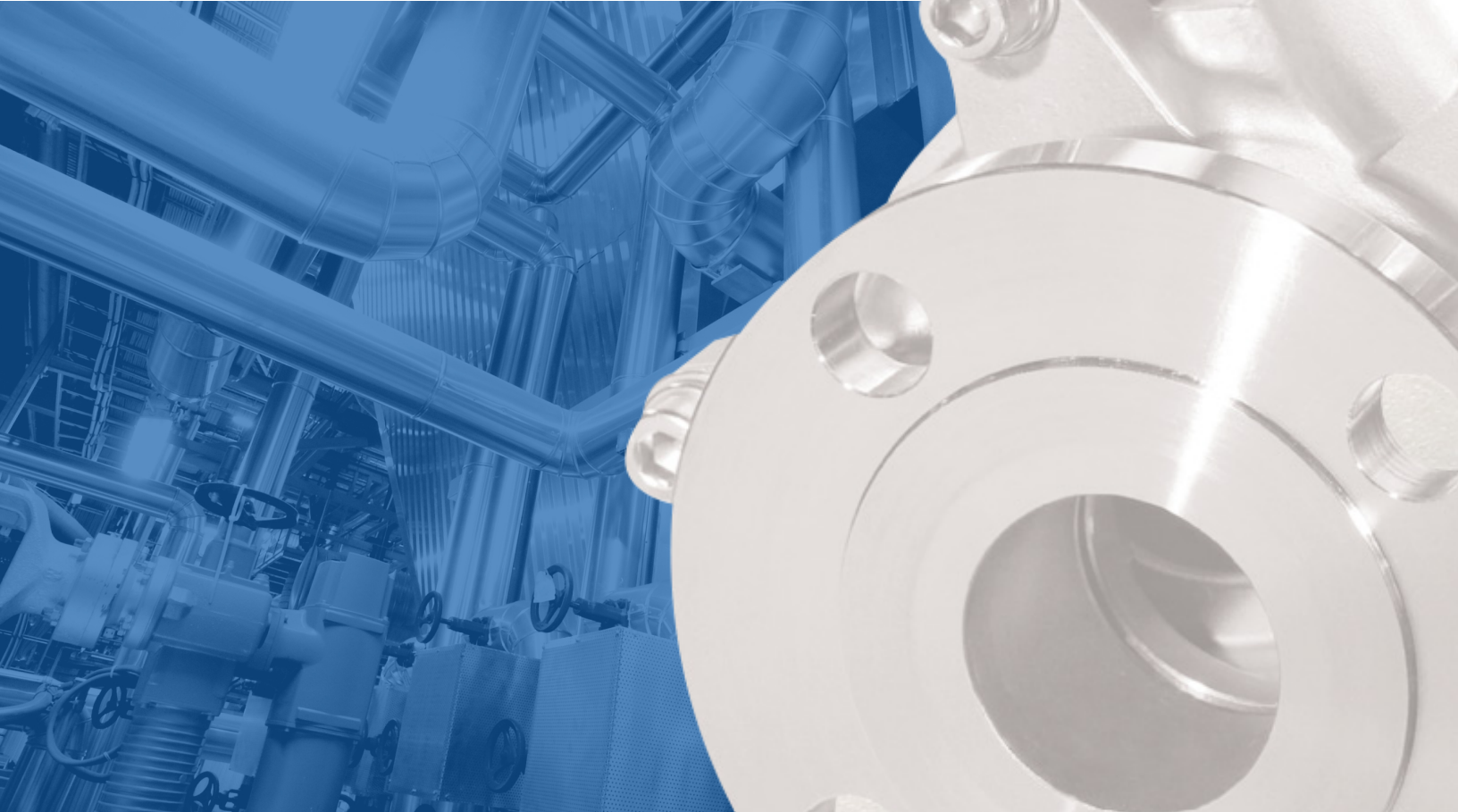


# IWAKI

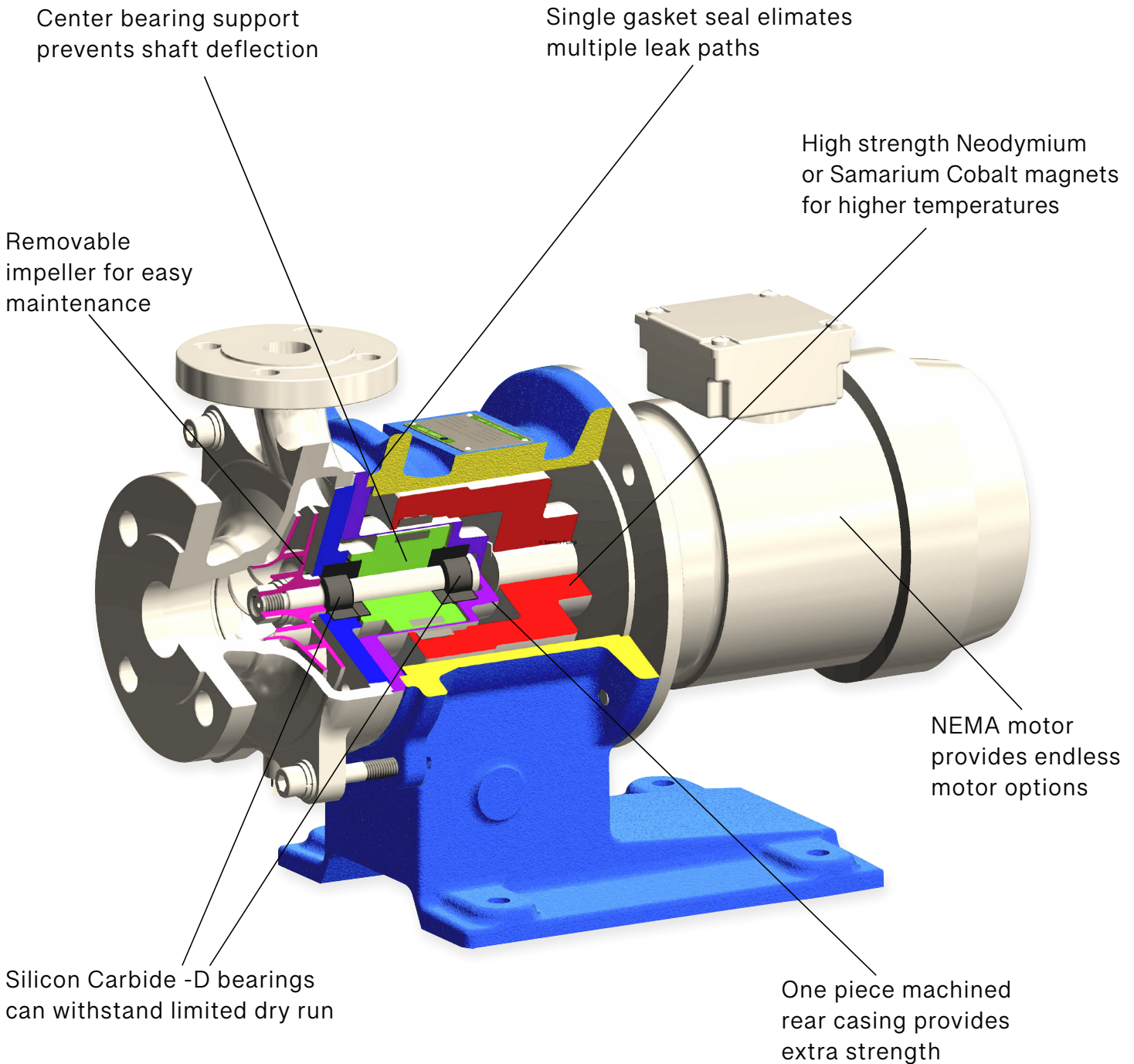
## Metallic Centrifugal Magnetic Drive Pumps

| SANWA SERIES



316 STAINLESS STEEL  
SEALLESS  
CORROSION RESISTANT  
LEAK FREE

**IWAKI**   
 **SANWA PUMP**



**Iwaki Sanwa Pumps** feature 316 Stainless Steel materials in a magnetic drive design that provides leakfree operation. With flows to 340 GPM, Iwaki Sanwa has the right pump for every application.

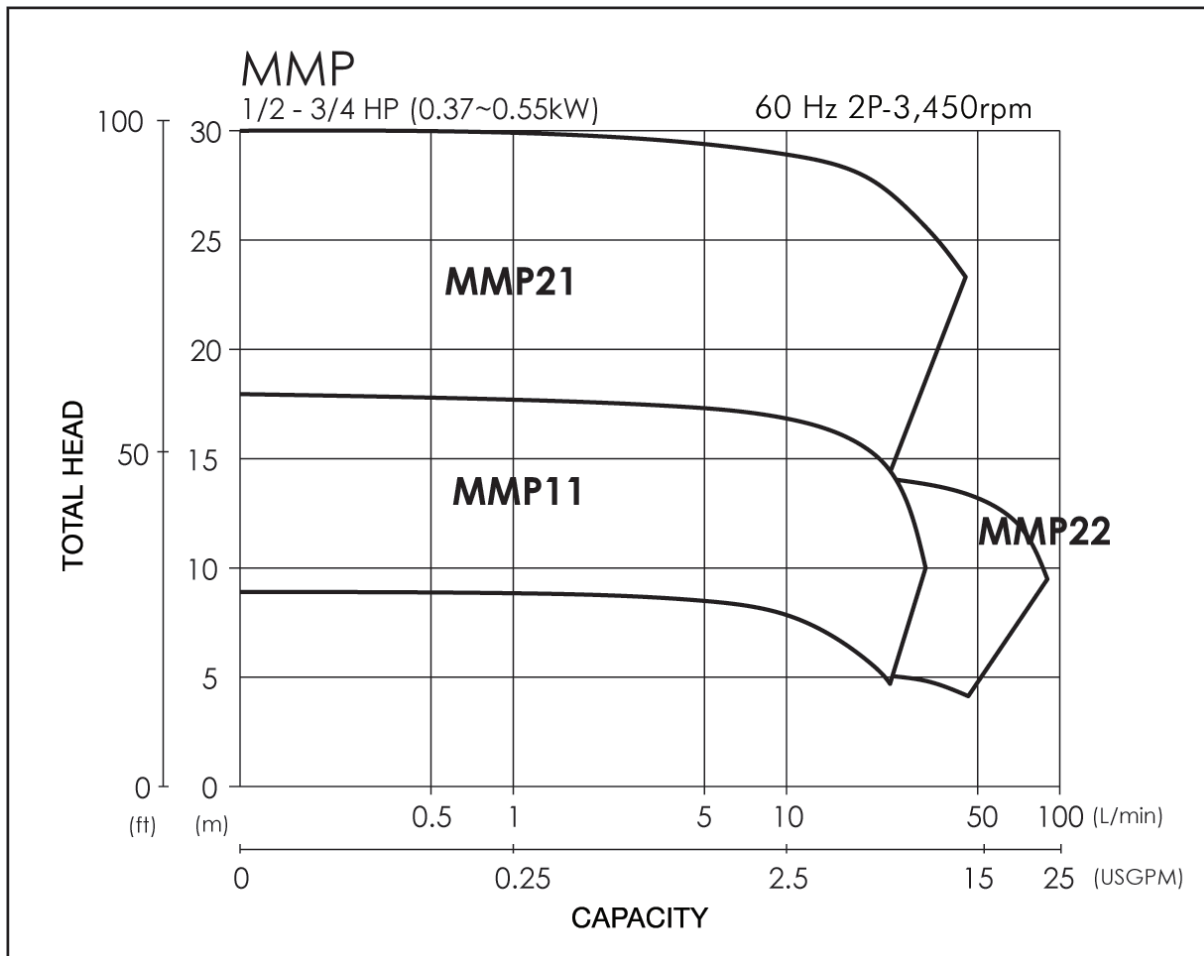
# MMP Series

The MMP/MML/MMH Series is ideal for low flow applications where the pump size is a concern. The MMP/MML/MMH features high strength magnets, SIC-D bearings, machined rear casing and a single gasket seal.



## TEMPERATURE RANGE

-22°F – + 302°F (-30°C – + 150°C)



# MP Series

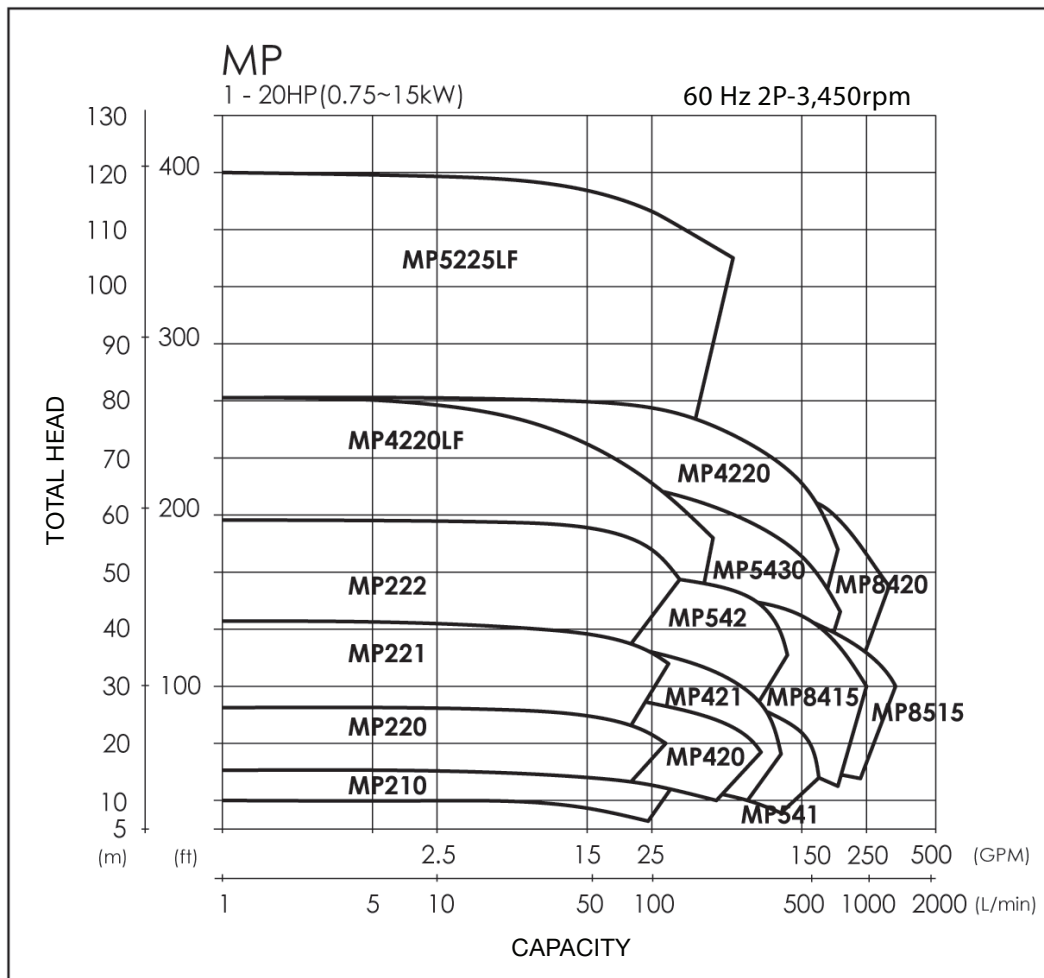
## The MP/MH/ML Series

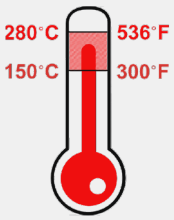
is the perfect combination of dependability and affordability. With flow rates to 340 GPM and rugged 316 stainless steel construction, the MP/MH/ML Series meets most sub-ANSI applications at a very affordable price.



### TEMPERATURE RANGE

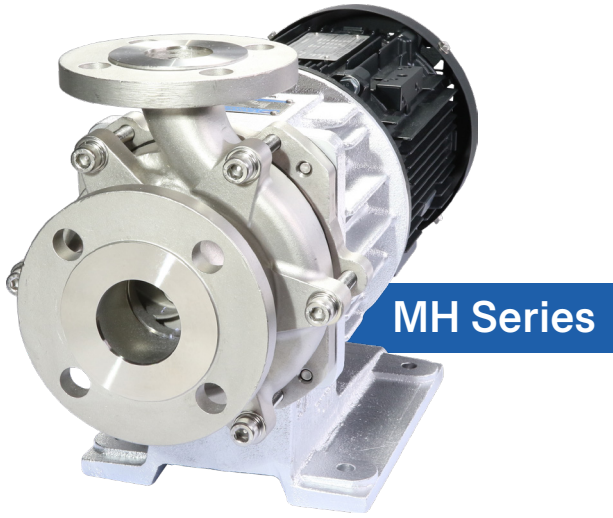
-22°F – + 302°F (-30°C – + 150°C)



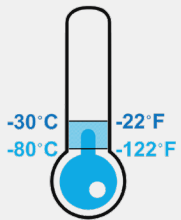


# High Temperature

TEMPERATURE RANGE  
+25°F – +536°F (-4°C – +280°C)



- Fin type frame adapter dissipates heat away from pump
- Rare earth Samarium Cobalt magnets
- High temperature gasket material



# Low Temperature

TEMPERATURE RANGE  
-112°F – +302°F (-80°C – +150°C)



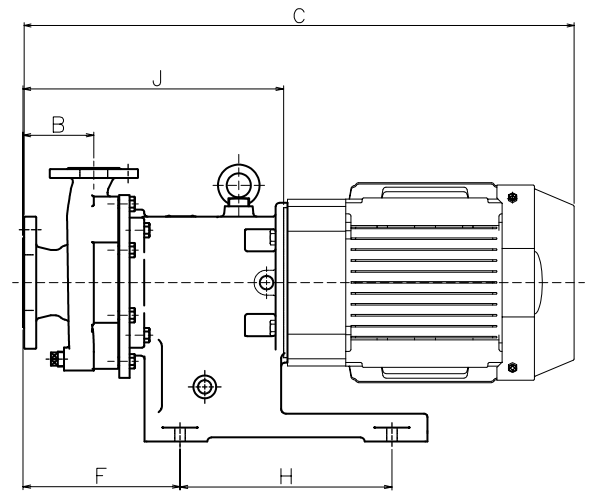
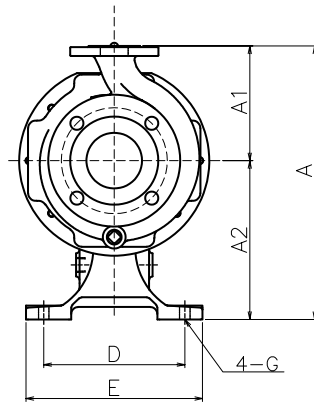
- Nitrogen purge port is provided to prevent moisture from freezing in the frame adapter
- Rare earth Neodymium magnets are used
- Low temperature gasket material

# Pump Specifications

MODEL	CONNECTIONS SUCTION x DISCHARGE	NOMINAL IMPELLER DIAMETER IN (MM)	BEP CAPACITY @ 60Hz GPM (LPM)	BEP HEAD FT (m)	MIN FLOW RATE GPM (LPM)	NOMINAL MOTOR (RPM)
MMP11	1/2" x 1/2" (12.7 x 12.7) NPT	3.66 (93)	7.7 (30)	42 (12.8)	0.8 (3)	3600
MMP21	3/4 x 3/4" (19 x 19) NPT	4.80 (122)	13 (50)	72 (21.9)	1.1 (4)	3600
MMP22	1 x 3/4" (25.4 x 19) NPT	3.31 (84)	20 (75)	33 (10)	1.3 (5)	3600
MMP210	1 x 3/4" (25.4 x 19) 150# RF FLANGES	3.54 (90)	35.7 (135)	35 (10.6)	2.6 (9.8)	3600
MP220	1 x 3/4" (25.4 x 19) 150# RF FLANGES	4.53 (115)	27.7 (105)	60 (18.2)	2.6 (9.8)	3600
MP221	1 x 3/4" (25.4 x 19) 150# RF FLANGES	5.63 (143)	38.3 (145)	102 (31.0)	2.6 (9.8)	3600
MP222	1 x 3/4" (25.4 x 19) 150# RF FLANGES	6.61 (168)	43.6 (165)	141 (43)	2.6 (9.8)	3600
MP420	1½ x 1" (38.1 x 25.4) 150# RF FLANGES	4.49 (114)	64.5 (245)	69 (21)	4.8 (18.1)	3600
MP421	1½ x 1" (38.1 x 25.4) 150# RF FLANGES	5.31 (135)	75.5 (286)	92 (28)	6.6 (25)	3600
MP541	2 x 1½" (50.4 x 38.1) 150# RF FLANGES	5.12 (130)	104.5 (395)	79 (24)	9.2 (34.8)	3600
MP542	2 x 1½" (50.4 x 38.1) 150# RF FLANGES	6.46 (164)	94 (355)	125 (38.1)	9.2 (34.8)	3600
MP4220	1½ x 1" (38.1 x 25.4) 150# RF FLANGES	8.03 (204)	148 ( 560)	197 (60)	10.6 (40)	3600
MP4220LF	1½ x 1" (38.1 x 25.4) 150# RF FLANGES	8.03 (204)	50 (190)	184 (56)	5.3 (20)	3600
MP5225LF	2 x 1" (50.4 x 25.4) 150# RF FLANGES	10.04 (255)	73 (275)	298 (90.8)	10.6 (40)	3600
MP5430	2 x 1½" (50.4 x 38.1) 150# RF FLANGES	7.54 (192)	159 (600)	157 (47.8)	13.2 (50)	3600
MP8415	3 x 1½" (76.2 x 38.1) 150# RF FLANGES	6.30 (160)	211 (800)	115 (35)	15.9 (60.1)	3600
MP8420	3 x 1½" (76.2 x 38.1) 150# RF FLANGES	7.91 (201)	254 (960)	195 (59.4)	18.5 (70)	3600
MP8515	3 x 2" (76.2 x 50.8) 150# RF FLANGES	6.30 (160)	269 (1020)	105 (32)	26.4 (100)	3600

# Dimensions

## 1-5 HP



Model	SUC/DIS	Size	A	A1	A2	B	C	D	E	F	G	H	J
MP210	Suction	1.0 (25)	8.46 (215)	4.13 (105)	4.33 (110)	2.95 (75)	20.59 (523)	5.12 (130)	6.30 (160)	6.10 (155)	0.47 (12)	4.72 (120)	9.80 (249)
	Discharge	0.75 (20)											
MP220	Suction	1.0 (25)	9.06 (230)	4.72 (120)	4.33 (110)	2.36 (60)	19.96 (507)	5.12 (130)	6.30 (160)	5.51 (140)	0.47 (12)	4.72 (120)	9.21 (234)
	Discharge	0.75 (20)											
MP221	Suction	1.0 (25)	11.81 (300)	5.12 (130)	6.69 (170)	2.56 (65)	20.71 (526)	6.30 (160)	7.87 (200)	5.51 (140)	0.47 (12)	7.48 (190)	9.71 (246.5)
	Discharge	0.75 (20)											
MP222	Suction	1.0 (25)	12.20 (310)	5.51 (140)	6.69 (170)	2.56 (65)	20.71 (526)	6.30 (160)	7.87 (200)	5.51 (140)	0.47 (12)	7.48 (190)	9.71 (246.5)
	Discharge	0.75 (20)											
MP420	Suction	1.5 (40)	12.01 (305)	5.31 (135)	6.69 (170)	2.95 (75)	21.34 (542)	6.30 (160)	7.87 (200)	6.10 (155)	0.47 (12)	7.48 (190)	10.29 (261.5)
	Discharge	1.0 (25)											
MP421	Suction	1.5 (40)	12.01 (305)	5.31 (135)	6.69 (170)	2.95 (75)	21.34 (542)	6.30 (160)	7.87 (200)	6.10 (155)	0.47 (12)	7.48 (190)	10.29 (261.5)
	Discharge	1.0 (25)											
MP541	Suction	2.0 (50)	12.20 (310)	5.51 (140)	6.69 (170)	3.15 (80)	21.47 (545.4)	6.30 (160)	7.87 (200)	6.30 (160)	0.47 (12)	7.48 (190)	10.49 (266.5)
	Discharge	1.5 (40)											
MP542	Suction	2.0 (50)	12.60 (320)	5.91 (150)	6.69 (170)	2.56 (65)	20.75 (527)	6.30 (160)	7.87 (200)	5.51 (140)	0.47 (12)	7.48 (190)	9.71 (246.5)
	Discharge	1.5 (40)											

in (mm)

## 5-20 HP

Model	SUC/DIS	Size	A	A1	A2	B	C	D	E	F	G	H	J
MP4220	Suction	1.5 (40)	15.51 (394)	6.50 (165)	9.02 (229)	4.02 (102)	31.22 (793)	7.99 (203)	10.00 (254)	8.90 (226)	0.59 (15)	12.01 (305)	14.77 (375)
	Discharge	1.0 (25)											
MP4220LF	Suction	1.5 (40)	15.51 (394)	6.50 (165)	9.02 (229)	4.02 (102)	31.22 (793)	7.99 (203)	10.00 (254)	8.90 (226)	0.59 (15)	12.01 (305)	14.77 (375)
	Discharge	1.0 (25)											
MP5225LF	Suction	2.0 (50)	17.48 (444)	8.46 (215)	9.02 (229)	4.02 (102)	31.42 (798)	7.99 (203)	10.00 (254)	9.09 (231)	0.59 (15)	12.01 (305)	14.96 (380)
	Discharge	1.0 (25)											
MP5430	Suction	2.0 (50)	15.51 (394)	6.50 (165)	9.02 (229)	4.02 (102)	31.22 (793)	7.99 (203)	10.00 (254)	8.90 (226)	0.59 (15)	12.01 (305)	14.77 (375)
	Discharge	1.5 (40)											
MP8415	Suction	3.0 (80)	15.52 (394)	6.50 (165)	9.02 (229)	4.02 (102)	31.13 (793)	7.99 (203)	10.00 (254)	8.90 (226)	0.59 (15)	12.01 (305)	14.77 (375)
	Discharge	1.5 (40)											
MP8420	Suction	3.0 (80)	17.48 (444)	8.46 (215)	9.02 (229)	4.02 (102)	31.42 (380)	7.99 (203)	10.00 (254)	9.09 (231)	0.59 (15)	12.01 (305)	14.96 (380)
	Discharge	1.5 (40)											
MP8515	Suction	3.0 (80)	17.28 (439)	8.27 (210)	9.02 (229)	4.02 (102)	31.42 (798)	7.99 (203)	10.00 (254)	9.09 (231)	0.59 (15)	12.01 (305)	14.96 (380)
	Discharge	2.0 (50)											

in (mm)

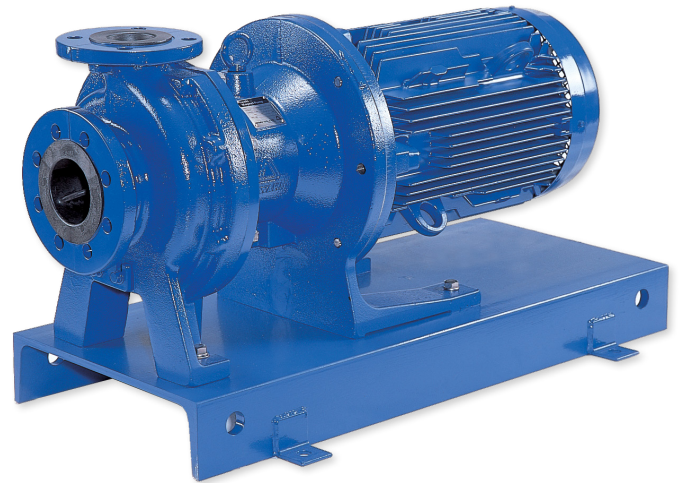
## Non-Metallic Pumps

Corrosion resistant EFTE Teflon® Internals or virgin PFA suitable for temperatures to 302° F (150° C) in a magnetic drive sealless package.

### MXM Series



### MDM Series



## Accessories



### Power Monitor

Capable of detecting both over-load and under-load conditions, the monitor offers protection from off-design conditions such as dry running, dead head, end of curve, cavitation and excessive bearing wear.



### Non-Metallic Baseplates

Corrosion-resistant Basetek polymer concrete non-metallic bases. Bases use stainless steel inserts as a standard and are available with optional grout holes, and drip pan.

