

Model: PFSE51HT

Features:

Submersible water or solids handling sewage pumps are designed for **high temperature** application..

- **DISCHARGE:** 2" NPT, Female, Vertical, Bolt-on Flange
- **LIQUID TEMPERATURE:** 200°F Continuous
- **MOTOR HOUSING/ VOLUTE:** Cast Iron, Class 30
- **IMPELLER:** 2 vane, Open type , Cast Iron, Class 30
- **SHAFT & HARDWARE:** Stainless steel
- **SEAL PLATE:** Cast Iron, Class 30
- **PAINT:** Industrial grade powder coating
- **O-RINGS:** Buna-N
- **SEAL:** Inboard, Single mechanical, .625 inch, Oil Filled reservoir, Carbon/Ceramic/Buna-N with Secondary Exclusion Seal
- **UPPER BEARING:** Single row, ball, oil lubricated
- **LOWER BEARING:** Single row, ball, oil lubricated
- **POWER CORD:** 15ft., SOOW, 14/3 Cord with plug. Fast disconnect design
- **MOTOR:** Class F Insulation, Oil Filled, Squirrel Cage Induction
- **SINGLE PHASE:** Permanent Split Capacitor (PSC), Includes overload protection in motor
- **STRAINER:** Bar type. * 1/2" solids through strainer
- **OPTIONAL:** 200°F High Temperature Level Control wide angle, mechanical, normally open, 15 Ft. cord w/Piggy-Back plug, P/N: PF17A43
- **WARRANTY:** 1 year

 **WARNING: CANCER AND REPRODUCTIVE HARM-**
WWW.P65WARNINGS.CA.GOV



**Submersible Sewage
 2" Discharge,
 *1/2" Spherical Solids
 Manual Operation**



MODEL	HP	VOLTS	PHASE	HZ	RPM	FULL LOAD AMPS	LOCKED ROTOR AMPS	CORD SIZE	CORD TYPE	CORD O.D.	Simplex Panel	Duplex Panel
PFSE51HT	0.5	115	1	60	1750	11.6	21.3	14/3	SOOW	0.520	PF1000	PF2000

2" to 3" Adapter Flange **P/N: PFDSCF0962**

Remove plug for use with Control Panel



Power-Flo Pumps & Systems

a Power-Flo Technologies company

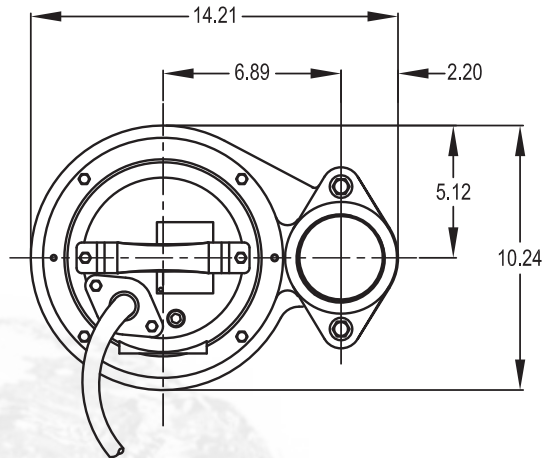
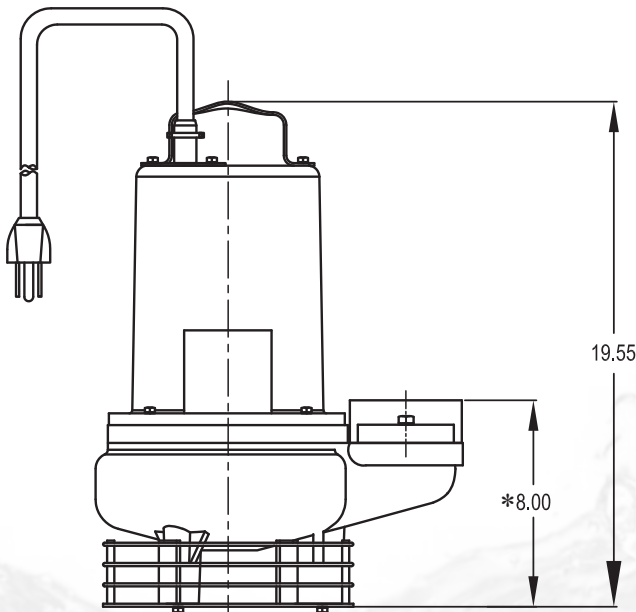
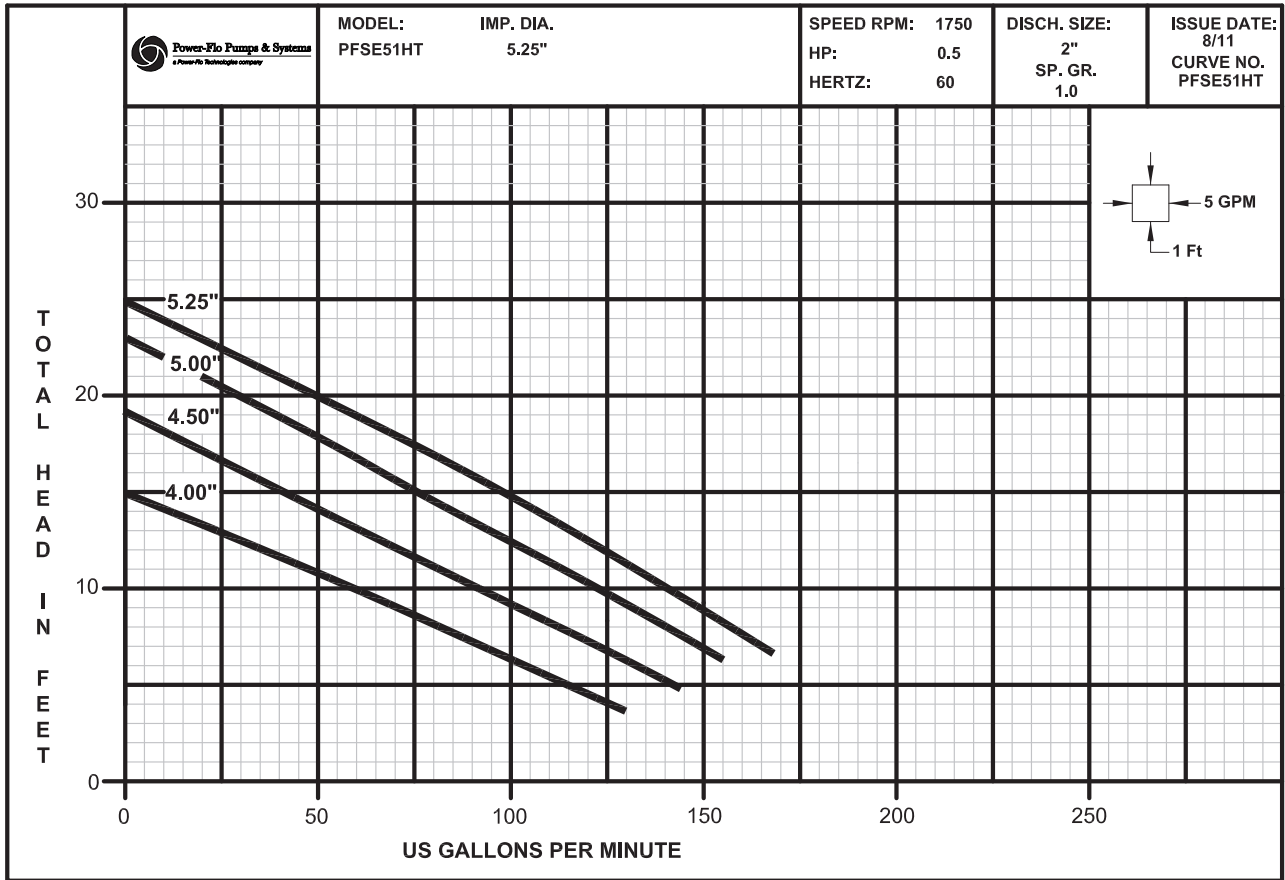
877-24PUMPS • fax: 516-812-6897 • www.powerflopumps.com

2" - Sewage Pumps - PFSE-HT - High Temp, 1/2HP - 1750RPM - 60Hz

Sect. 5
 Page 27
 Rev. 02/2021

2" - Sewage Pumps - PFSE-HT - High Temp, 1/2HP - 1750RPM - 60Hz

Model: PFSE51HT



(*) 8.00" Discharge dimension the same for 2" and 3".

