

**Model: PFSE51, PFSE52, PFSE594, PFSE544,
PFSE774, PFSE794, PFSE744,
PFSE1074, PFSE1094, PFSE1044**

Features:

Submersible sewage pumps designed for typical raw sewage applications.

- **DISCHARGE:** 2" NPT, Female, Vertical, Bolt-on Flange
- **LIQUID TEMPERATURE:** 104°F Continuous
- **MOTOR HOUSING/ VOLUTE:** Cast Iron, Class 30
- **IMPELLER:** 2 vane, Open type , Cast Iron, Class 30
- **SHAFT & HARDWARE:** Stainless steel
- **SEAL PLATE:** Cast Iron, Class 30
- **PAINT:** Industrial grade powder coating
- **O-RINGS:** Buna-N
- **SEAL:** Inboard, Single mechanical, .625 inch, Oil Filled reservoir, Carbon/Ceramic/Buna-N with Secondary Exclusion Seal
- **UPPER BEARING:** Single row, ball, oil lubricated
- **LOWER BEARING:** Single row, ball, oil lubricated
- **POWER CORD:** 15ft., SJTOW, 14/3 Cord with plug on 115 volt, SOW, 14/3 cord on 230 volt, 1 phase, (plug on 1/2, 3/4 & 1Hp), SOW, 14/3 and 14/4 on rest. Fast disconnect design
- **MOTOR:** Class B Insulation, Oil Filled, Squirrel Cage Induction
- **SINGLE PHASE:** Permanent Split Capacitor (PSC), Includes overload protection in motor
- **THREE PHASE:** 200-230/460 is Tri-voltage motor. Requires overload protection to be included in control panel
- **WARRANTY:** 2 year

**⚠ WARNING: CANCER AND REPRODUCTIVE HARM-
WWW.P65WARNINGS.CA.GOV**



**Submersible Sewage
2" Discharge,
2" Spherical Solids
Manual Operation**

MODEL	HP	VOLTS/ PHASE	HZ	RPM	FULL LOAD AMPS	LOCKED ROTOR AMPS	NEMA START CODE	CORD SIZE	CORD TYPE	Simplex Control	Duplex Control
PFSE51*	0.5	115/1	60	1750	11.6	21.3	E	14/3	SJTOW	PF1000	PF2000
PFSE52*	0.5	230/1	60	1750	5.9	14.9	B	14/3	SOW	PF1003	PF2003
PFSE594	0.5	200-230/3	60	1750	4.6/4.2	9.8/11.0	K	14/4	SOW	PF1004-O	PF2004-O
PFSE544	0.5	460/3	60	1750	2.2	5.3	K	14/4	SOW	PF1005-O	PF2005-O
PFSE774	0.75	200-230/1	60	1750	8.4/7.7	21.5/25.8	J	14/3	SOW	PF1003	PF2003
PFSE794	0.75	200-230/3	60	1750	4.8/4.5	13.7/15.4	K	14/4	SOW	PF1014-O	PF1014-O
PFSE744	0.75	460/3	60	1750	2.0	7.7	K	14/4	SOW	PF1015-O	PF2015-O
PFSE1074	1.0	200-230/1	60	1750	13.6/12.4	21.5/25.8	G	14/3	SOW	PF1013	PF2013
PFSE1094	1.0	200-230/3	60	1750	9.0/8.2	13.7/15.4	G	14/4	SOW	PF1014-O	PF2014-O
PFSE1044	1.0	460/3	60	1750	3.8	7.7	H	14/4	SOW	PF1015-O	PF2015-O

2" to 3" Discharge flange - P/N: PFDFSCF0962

* = Only the PFSE51 and PFSE52 are CSA listed

Remove plug for use with Control Panel



Power-Flo Pumps & Systems

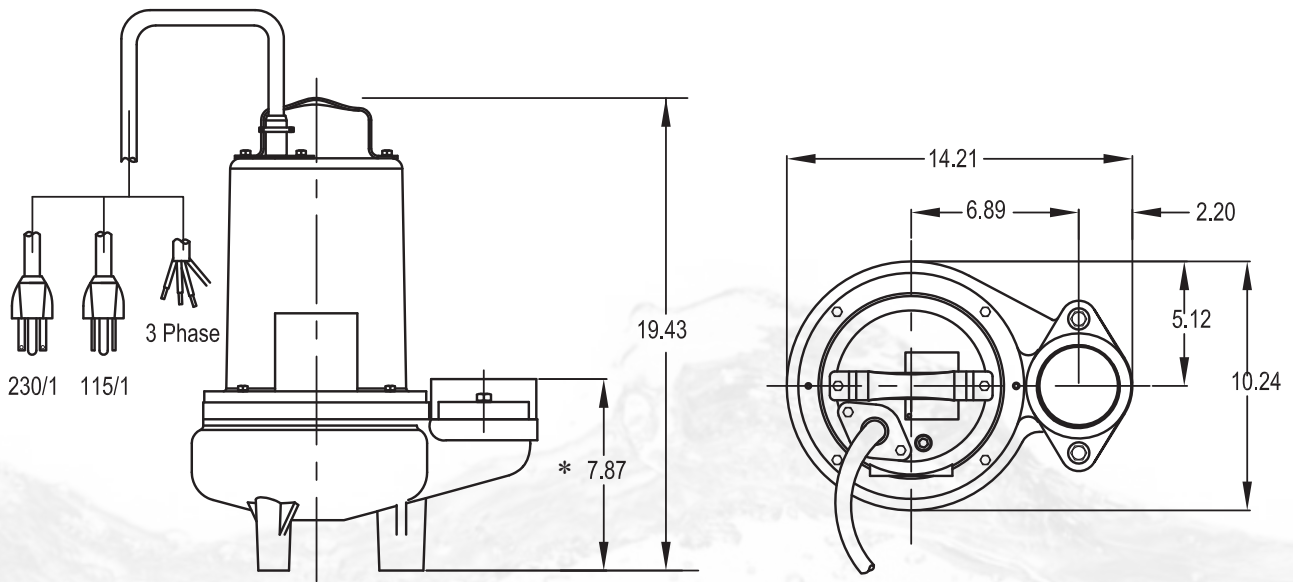
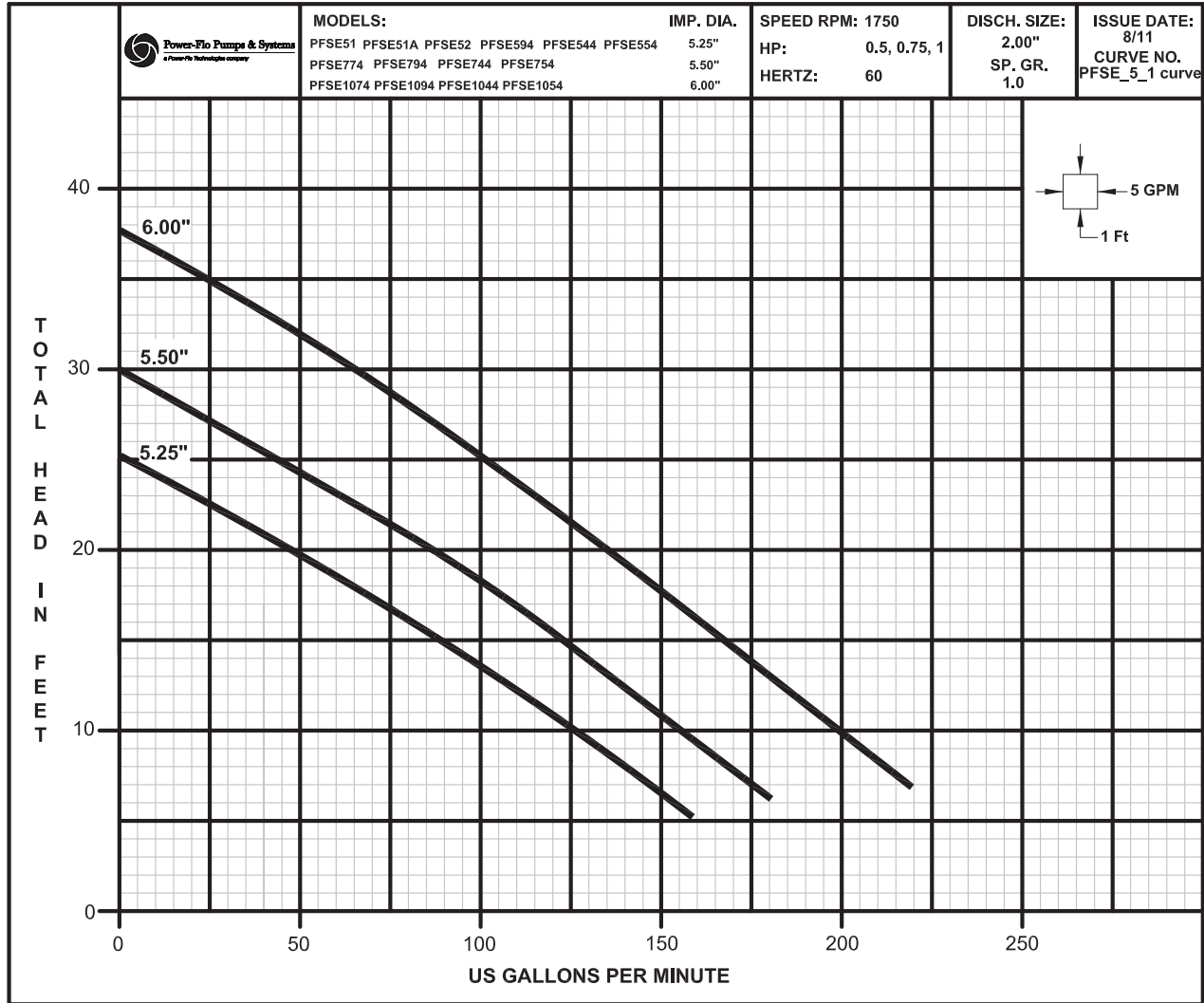
a Power-Flo Technologies company

877-24PUMPS • fax: 516-812-6897 • www.powerflopumps.com

2" - Sewage Pumps - PFSE, 1/2, 3/4 & 1HP - 1750RPM - 60HZ

2" - Sewage Pumps - PFSE, 1/2, 3/4 & 1HP - 1750RPM - 60HZ

Model: PFSE51, PFSE51A, PFSE52, PFSE594, PFSE544, PFSE774, PFSE794, PFSE744, PFSE1074, PFSE1094, PFSE1044



(* 7.87" Discharge dimension the same for 2" and 3".



877-24PUMPS • fax: 516-812-6897 • www.powerflopumps.com