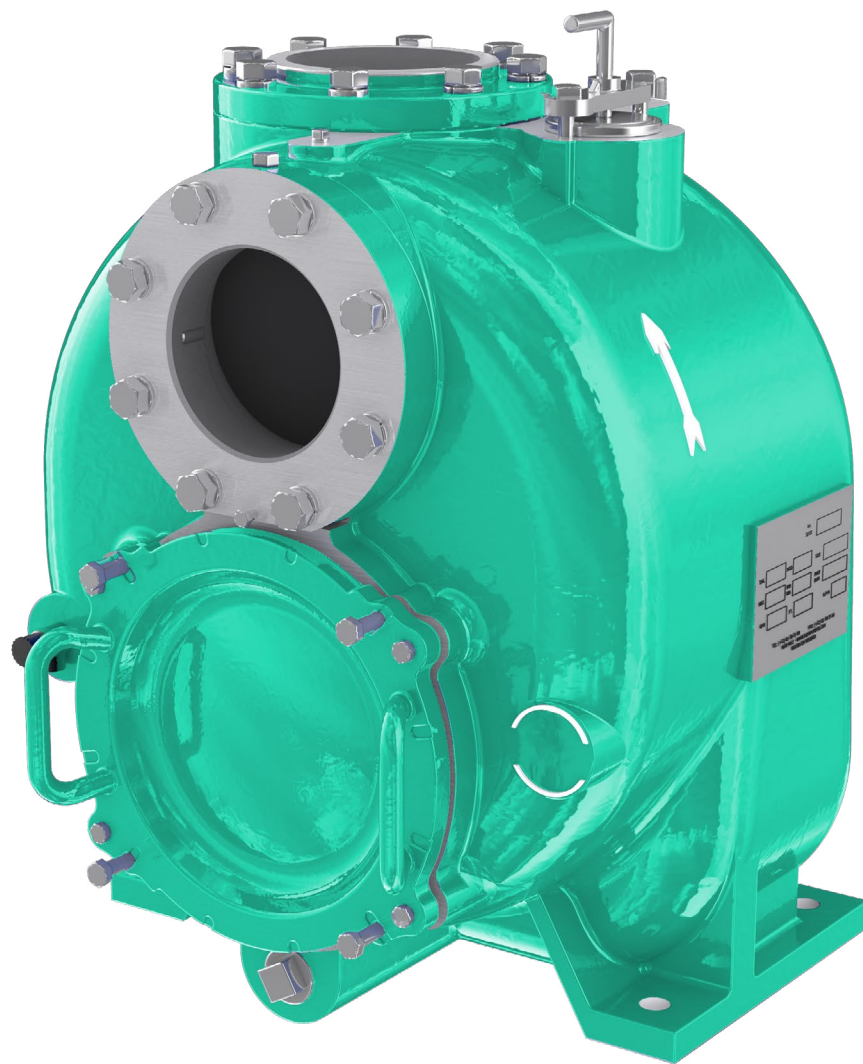


WDM[®]

PUMPS



SWP

www.wdmpumps.com

Self-priming pump for solids
handling applications

For more than 60 years the name WDM™ has been synonymous worldwide with innovation and reliability for pumping technology

WDM is an innovative and efficient centrifugal pump technology company that offers operators of Pump Systems and a wide range of quality products. WDM is committed to global excellence with a complete range of Pumps, Fire Pump Packages and related products, such as Decoking Systems and Tools to support the core markets, namely Oil & Gas, Petrochemical, Power, Heavy Industry Applications, Mining and Water Services.

The broad product line complies with the most demanding quality specifications and goes beyond stringent industry standards such as API, ANSI, Hydraulic Institute, Underwriter's Laboratories, Factory Mutual and ISO 9001.

WDM is a vertically integrated company with its own foundry, machine shop, pump manufacturing plants and service centers. With strategically located manufacturing plants, operating offices and service centers in many parts of the world, Ruhrpumpen is truly a global pump company which also has the strength to focus on the local necessities of each client.

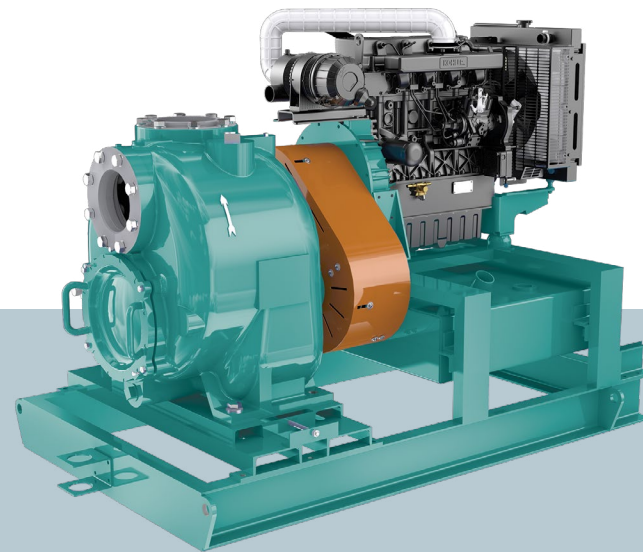
SWP Self Priming Pumps

The SWP line is a self priming pump that can handle clear liquids or with solids. Its large volute design allows automatic repriming in a completely open system without the need for suction or discharge check valves.

These type of pumps are designed to allow an simplified maintenance of the pump with the use of common hand tools and having easy access to its interior parts such as

the impeller and the seal for asimple maintenance therefore reducing operating costs.

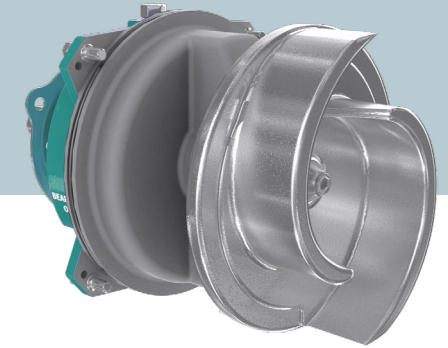
These pumps are ideal for waste handling applications and sewage handling applications in industries such as paper, agricultural, construction, automotive, and many others.



THE SWP PUMPS CAN LIFT FLUIDS UP TO 27 ft

Removable Rotating Assembly

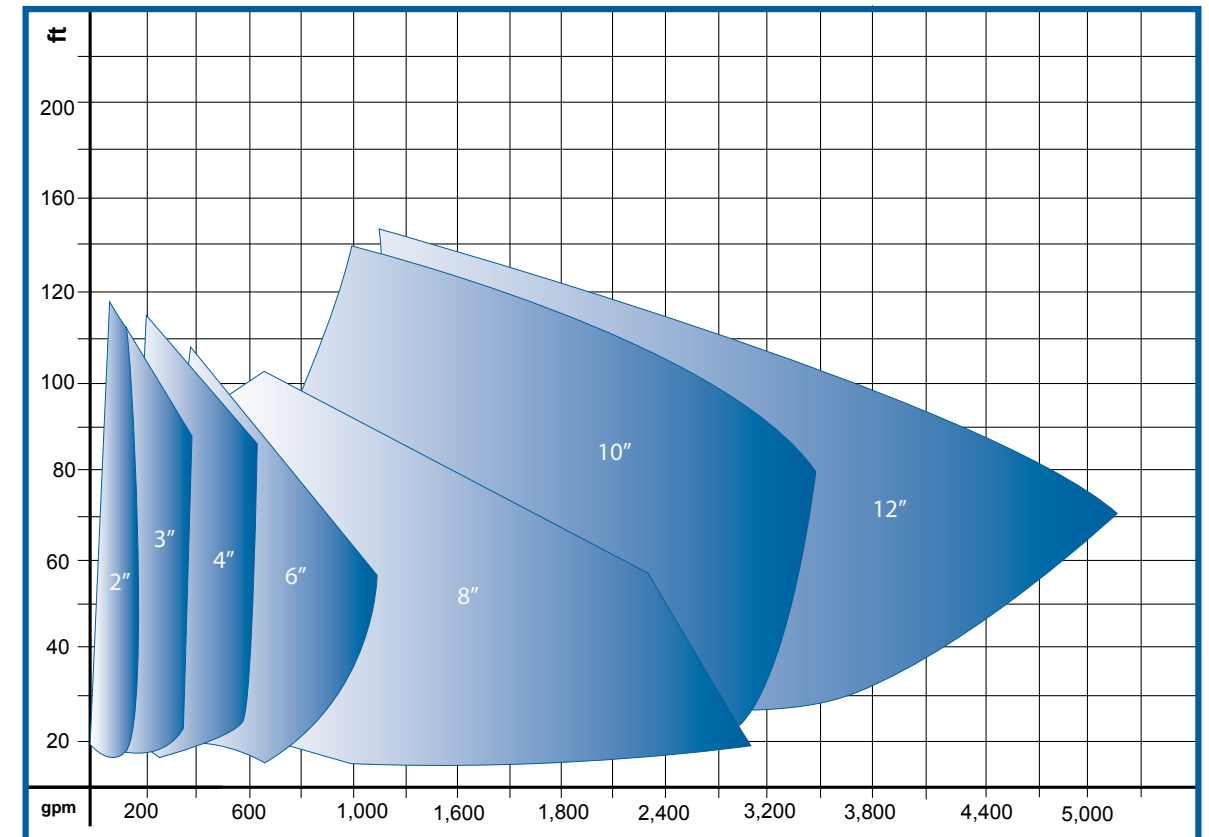
Pusher bolt holes allow for removal of the rotating assembly with out the disturbing piping.



Selection Chart

Selection Chart SWP

Various Poles
50 & 60 HZ



Characteristics

1 Discharge Flange
Up to 8"

2 Suction Check Valve
Rubber that avoids the priming chamber to empty

3 Removable Cover Plate
Allows easy maintenance to remove solids that may build up during operation

4 Handles
Allow the complete rotation of the removable cover plate

5 Wearplate
Easy to replace

6 O-Ring Seal
Divides the self priming pressure from the discharge pressure

7 Balanced Impeller
Two vane semi open impeller that can handle up to 3" solids

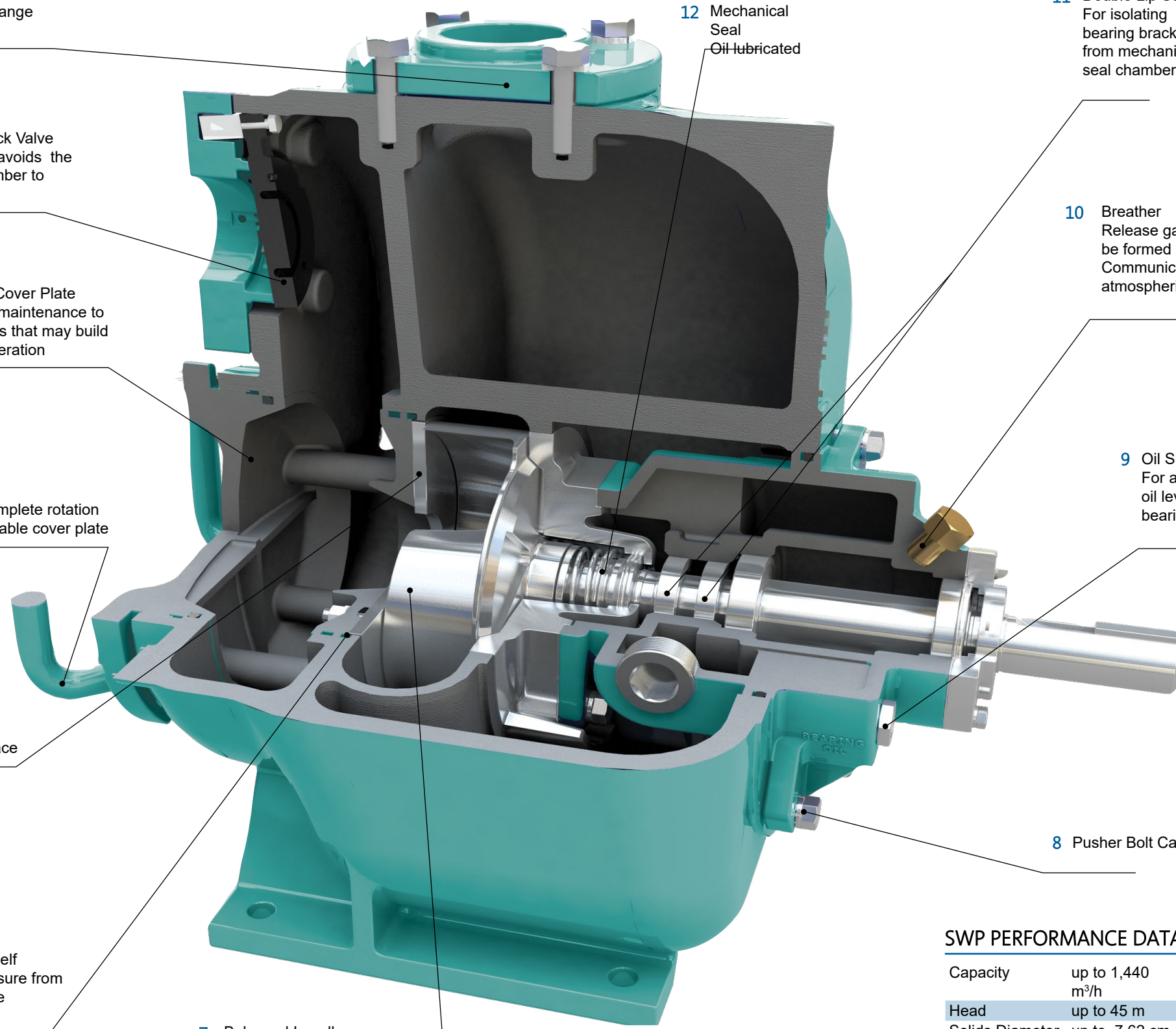
12 Mechanical Seal
Oil lubricated

11 Double Lip Seals
For isolating bearing brackets from mechanical seal chamber

10 Breather
Release gases that can be formed in lubricating oil. Communicates with atmospheric pressure

9 Oil Sight
For a control of the oil level for the bearing lubrication

8 Pusher Bolt Capability



Description

PRODUCT DESCRIPTION

- Self Priming Pump
- Easy maintenance without the need of disconnecting piping
- Easy access to impeller and seal.
- Availability of mounting above the liquid being pumped.
- Designed to allow up to 3 inch diameter solids.
- Lift up to 27 ft

BROAD APPLICATION RANGE

The SWP pump is designed for a wide range of waste handling applications for industries such as but not limited to:

- Steel
- Paper Mills
- Mining
- Food Processing
- Power Plants
- Automotive
- Wineries

MATERIALS OF CONSTRUCTION

Construction	Casted wetted parts	Hardware	Mechanical Seal
Cast Iron	Cast Iron	Steel	SS 316
Duplex	CD4MCu	SS 316	SS 316 (CD4MCu optional)
For other materials please contact Ruhrpumpen			

SWP PERFORMANCE DATA

Capacity	up to 1,440 m ³ /h	5,280 U.S. gpm
Head	up to 45 m	147 ft
Solids Diameter	up to 7.62 cm	up to 3 in
Lift	up to 8.2 m	up to 27 ft
Temperature	up to 70 °C	up to 158 °F

Note: For Pump operation outside this range, please contact a Ruhrpumpen representative.

MEXICO:

Monterrey

Address: Sigma 9224 Cd. Industrial Mitras, García,
N.L., PC: 66000.

Phone: (81) 8381 0913

Guadalajara

Address: Calle Javier Ruiz Velazco No.10, Colonia
Balcones del Sol, Zapopán, Jalisco. CP 45068.

Phone: (33) 3812 9481

Hermosillo

Address: Av. Primera de Periférico No. 436, entre
Simón Bley y Manuel I. Loaiza, Colonia Luis Encinas.
PC 83138.

Phone: (66) 2207 1158

Estado de Mexico

Address: Boulevard Centro Industrial No. 26 Bod, B2
Fraccionamiento Industrial Puente de Vigas,
Tlanepantla. PC 54070

Phone: (55) 6387 8896

Cuernavaca

Phone: (777) 500 5435

Puebla

Phone: (81)1660 7495

Cancún

Phone: (81)2621 3761

Mexicali

Phone: (664) 484 0497

Chihuahua

Phone: (614) 231 8070

Villahermosa

Phone: (993) 128 9458

PANAMA:

Ciudad de Panamá

Address: Calle W con calle 15, Parque Lafevre.

Phone: (+507) 221 1171

COLOMBIA:

Bogota D.C.

Address: Aut. Bogotá - Medellín KM 7,5 Costado
Occidental, Parque Industrial Celta Bod. 86 y 93.

E-mail: construccion@barnes.com.co

PBX: (+1) 743 9090

Fax: (+1) 742 6825

PERÚ:

Lima

E-mail: edcasado@wdmpumps.com

Phone: (+511) 9878 15371

ARGENTINA:

Provincia de Buenos Aires

Address: Le Corbusier 240 (B1616AEF)

Phone: (+5411) 4463 1477 / (+5411) 4463 3000

UNITED STATES:

Tulsa, Oklahoma

Address: 4501 S 86th East Ave, OK 74145

Phone: 800 783 6756 / 214 337 8780

GUATEMALA:

Ciudad de Guatemala

Address: 2a. Ave. 13-35, Zona 17 Ofibodega N. 16,
Los Almendros

Phone: (+502) 2255 1796 / (+502) 2255 5937